

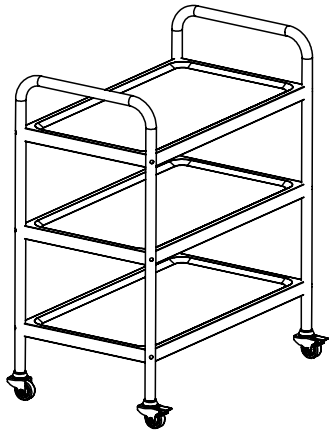
L100S3

37"H Stainless Steel Cart - Three Shelves

Product Specifications

Item Number	L100S3
Material	Legs: Stainless steel Shelves: Stainless steel
Color Options	Unfinished metal
Overall Dimensions	28.5" W x 15.75" D x 36.5" H
Shelf Dimensions	27.5" W x 14.75" D
Clearance Between Shelves	8.9"
Casters	4" heavy-duty (2 with locking brakes)
Weight	32 lbs.
Weight Capacity	300 lbs.
Grab Handles	One on each side
Shipping Method	Ground
Shipping Carton Dimensions	32.25" W x 17.75" D x 6.5" H
Shipping Weight	34 lbs.

To Order, Call Your
Sales Representative
or 800-323-4656



Important: This cart can be safely cleaned with one of the products listed below.

- Bleach Solution (1oz. bleach to 10 oz. water)
- Hydrogen Peroxide
- Alcohol

