

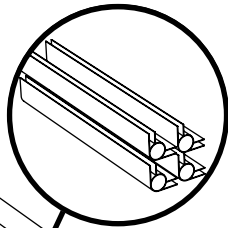
www.luxorfurn.com  
www.hwilson.com

### Parts List

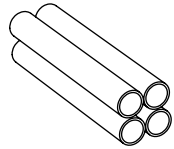
### Tools Required

- Rubber Mallet

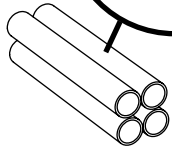
**NOTICE:**  
Leg lengths of leg **E** may be shorter than leg **F**



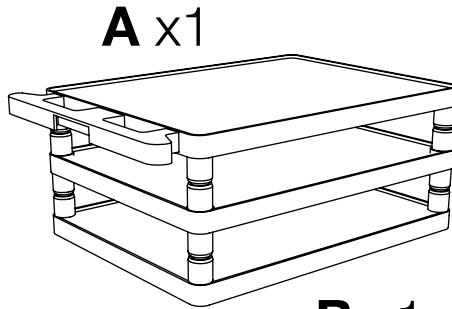
Optional fluted legs for units with cabinet pack



**E x4**



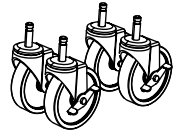
**F x4**



**A x1**

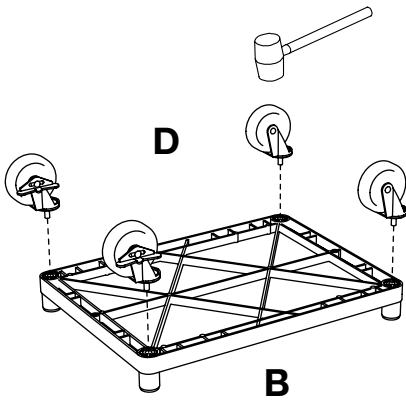
**B x1**

**C x1**



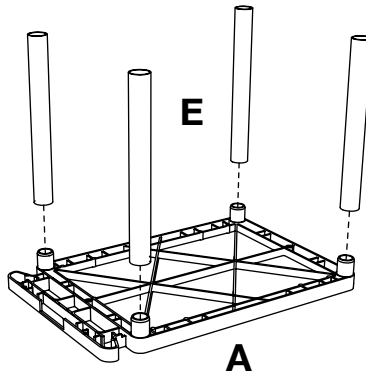
**D x4**

**1**

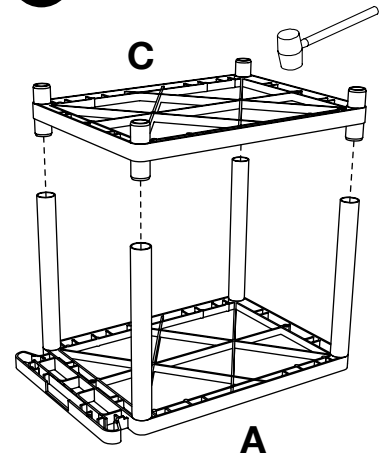


**2**

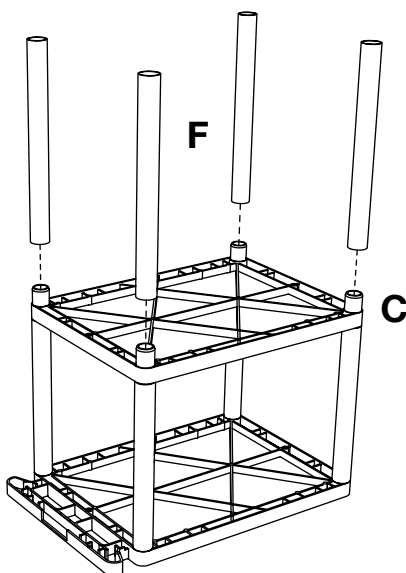
Install optional cabinet pack / pullout shelf / electrical assembly after step 1



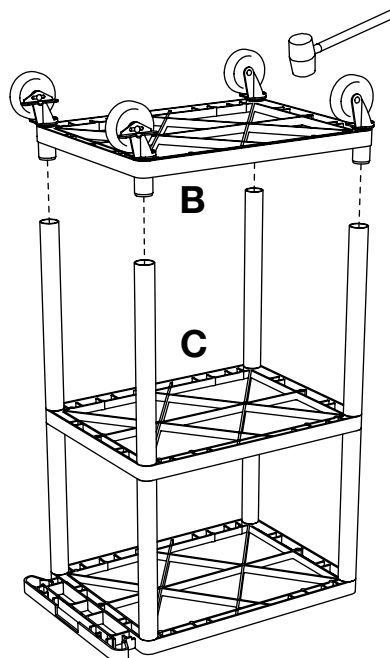
**3**



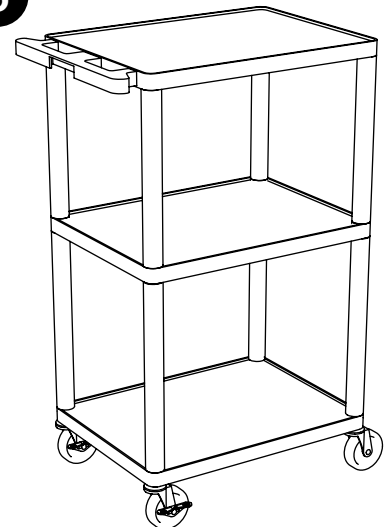
**4**



**5**



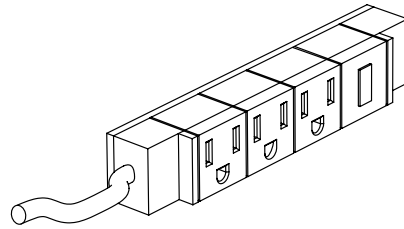
**6**



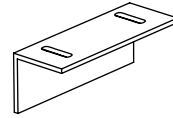
www.luxorfurn.com  
www.hwilson.com

## LP + LE Electrical Assembly Instructions

### Parts List



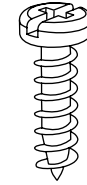
**F** x1



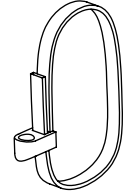
**G** x1

### Tools Required

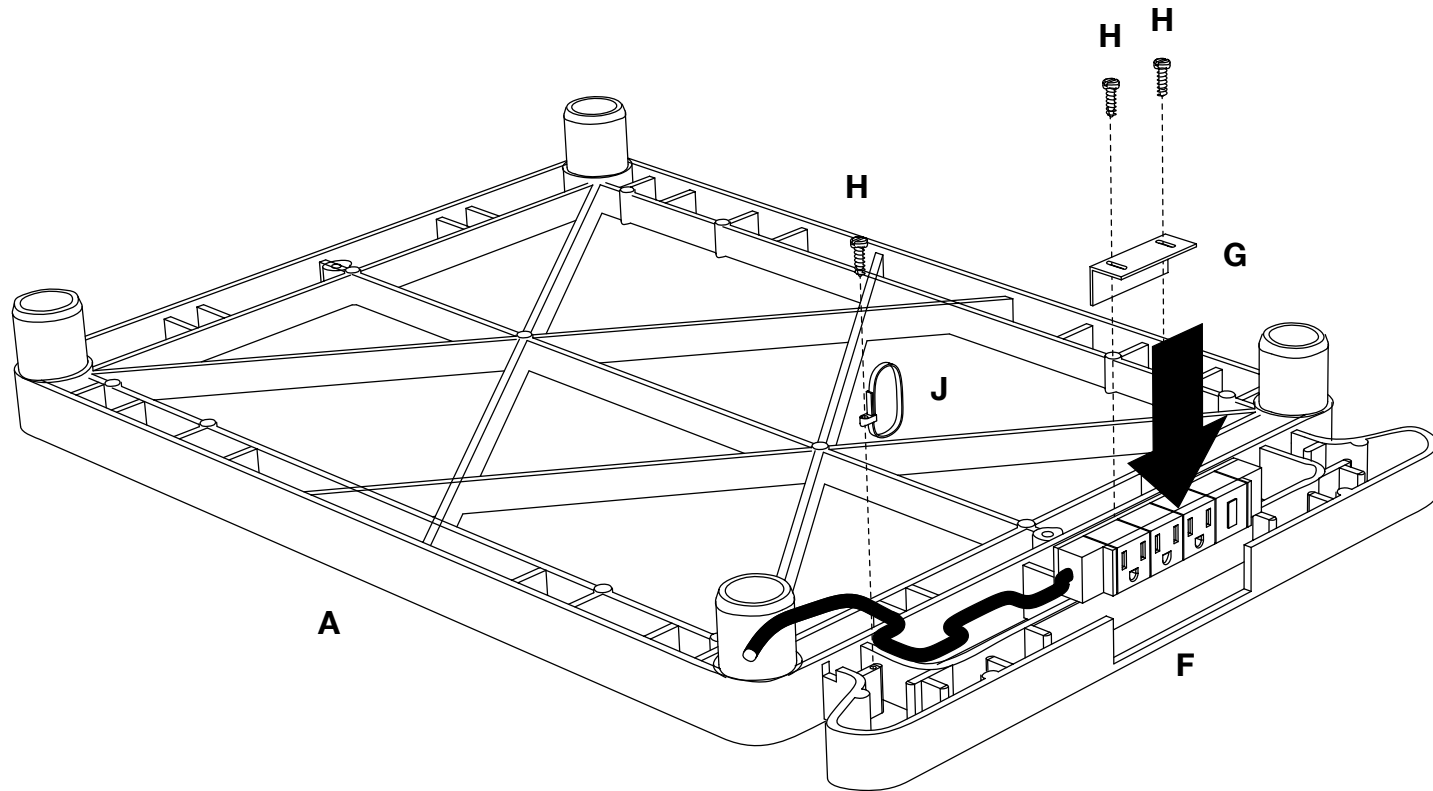
- Philips Screwdriver



**H** x3



**J** x1



**1**

Attach electric outlet **F** to top shelf **A**, secure with L bracket **G** and cable lock **J**. Loop outlet cable **F** through cable lock **J** and the inserts on shelf **A**. Screw L bracket **G** and cable lock **J** onto top shelf **A** with screw **H** and a philips screwdriver.