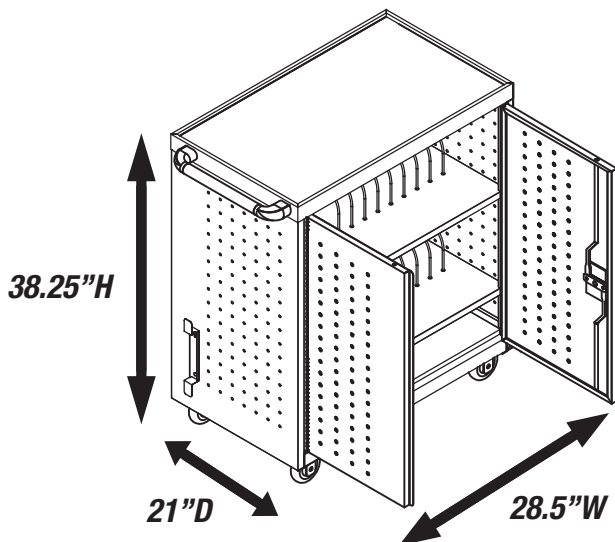


# LLTP32-B - 32-UNIT CART WITH TIMER

**Product Specifications:**

<b>Item Number</b>	LLTP32-B
<b>Material</b>	Powder Coated Steel
<b>Color Finish</b>	Black
<b>Capacity</b>	32 units
<b>Cart Dimensions</b>	28.5"W x 21"D x 38.25"H (w/handle) 28.5"W x 21"D x 38.25"H (w/out handle)
<b>Weight</b>	107 lbs.
<b>Shelf Quantity</b>	3
<b>Shelf Dimensions</b>	Top 2 Shelves: 28"W x 16"D x 11.5"H Bottom Shelf: 28"W x 16"D x 4"H
<b>Divider Make</b>	Rubber Coated Steel
<b>Divider Distance</b>	1.5"
<b>Doors</b>	2 front; 2 back
<b>Ventilation</b>	All sides
<b>Power</b>	Two 16-outlet vertical power strips; UL Approved
<b>Voltage</b>	110V
<b>Cable Management</b>	Charging Cord Clips
<b>Lock</b>	Key-lock on front door and back door; Includes 2 keys
<b>Casters (4)</b>	4" rubber non-skid; two casters include locking brakes
<b>Timer</b>	ETL listed
<b>Ship Method</b>	Freight
<b>Shipping Carton Dims</b>	1 Carton; 31"W x 23"D x 36"H
<b>Shipping Weight</b>	111 lbs.
<b>Assembly Required</b>	Minimal; attach handle bar and casters
<b>Cord Length</b>	10'



To Order, Call Your  
Sales Representative  
or 800-323-4656