

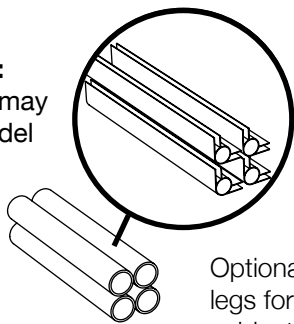
www.luxorfurn.com
www.hwilson.com

Parts List

Tools Required

- Rubber Mallet

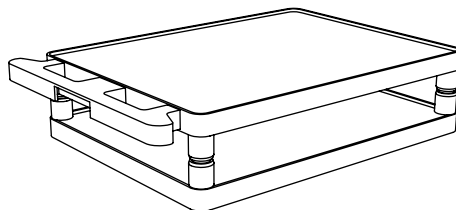
NOTICE:
Leg lengths may vary by model



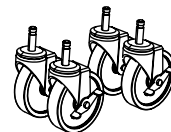
Optional fluted legs for units with cabinet pack

F x4

A x1

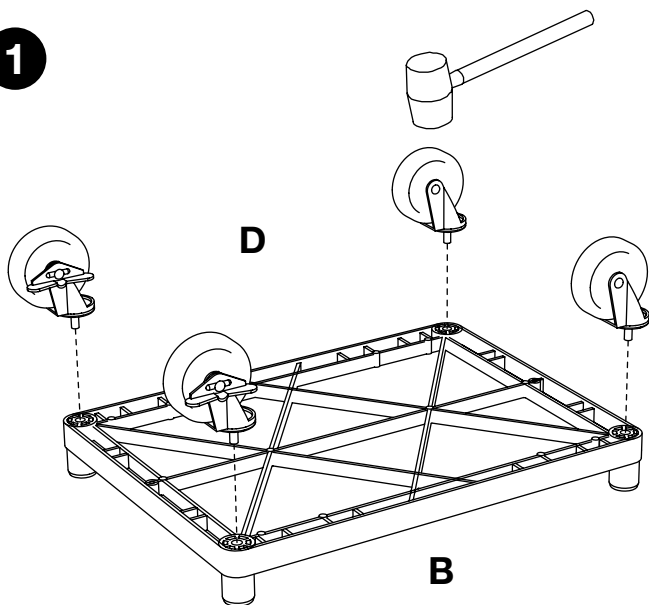


B x1



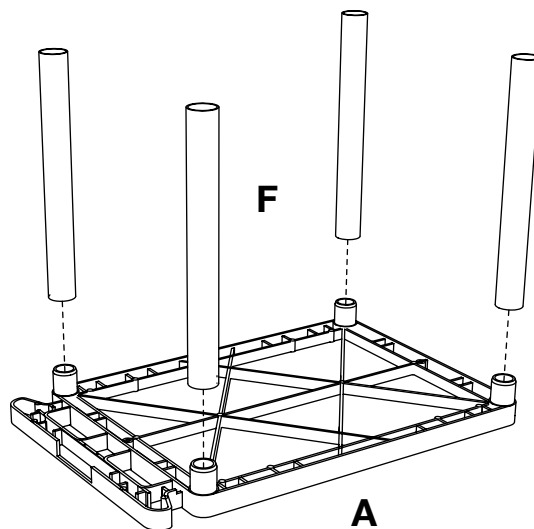
D x4

1

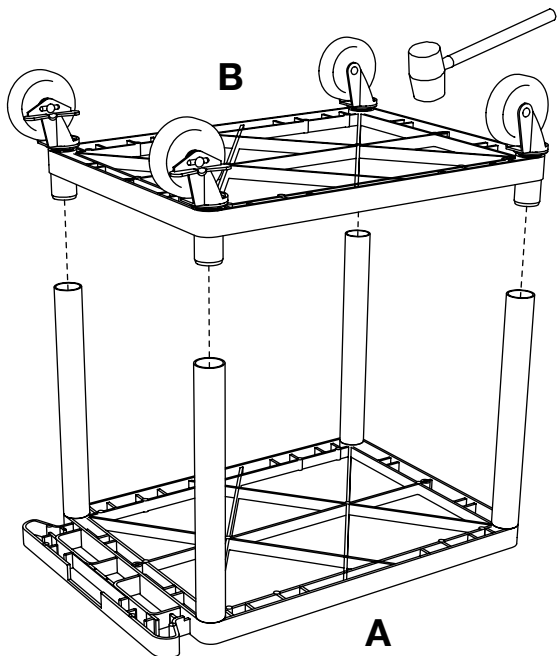


2

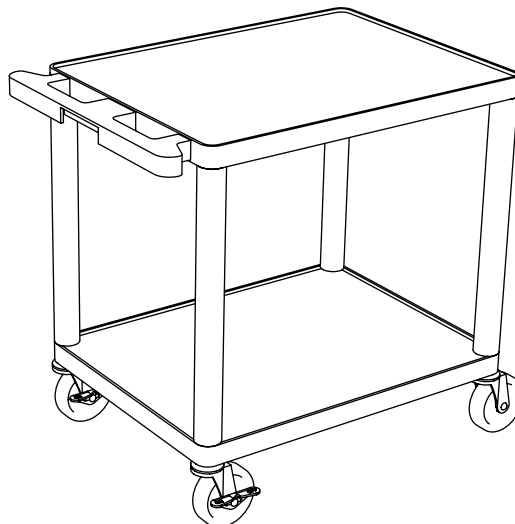
Install optional cabinet pack / pullout shelf / electrical assembly after step 1



3



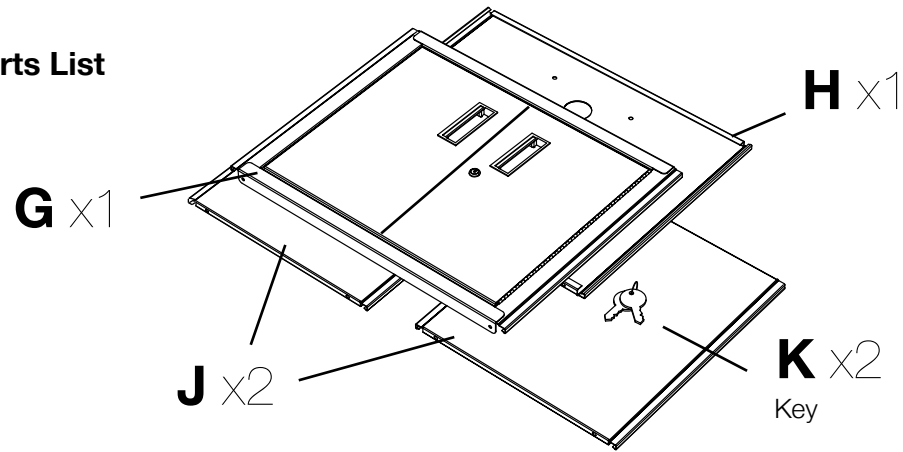
4



Plastic Cart Cabinet Pack Instructions

Please consult your cart base unit instructions before starting

Parts List

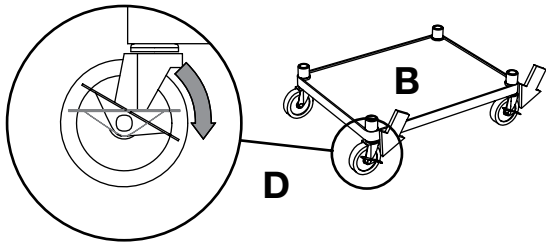


Tools Required

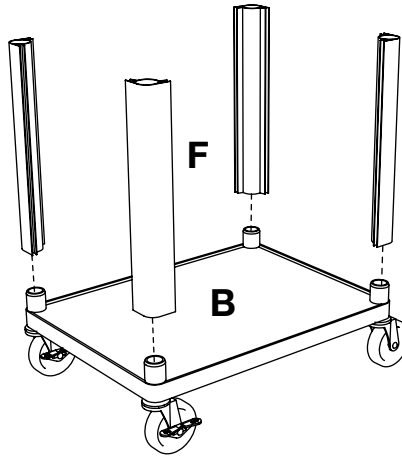
- Rubber Mallet

1

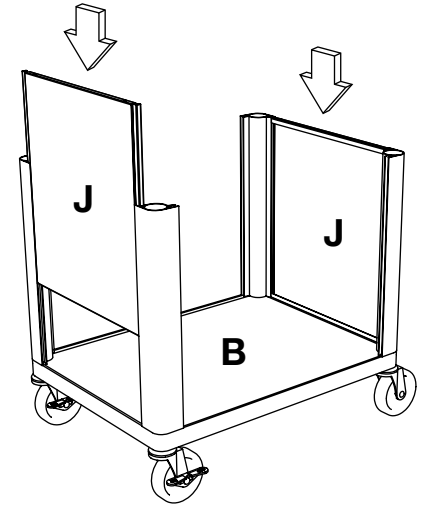
IMPORTANT: Flip shelf **B**, and lock the 2 locking casters **D** before assembling the unit.



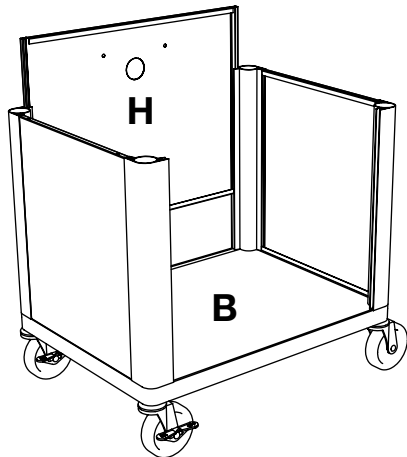
2



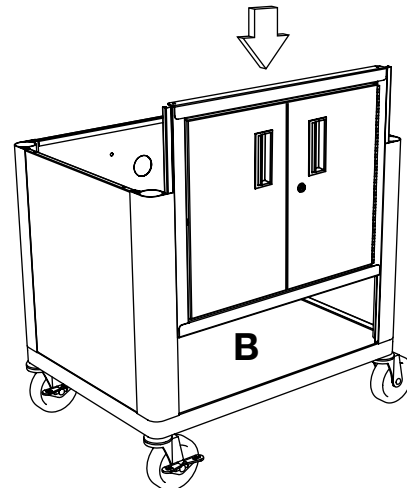
3



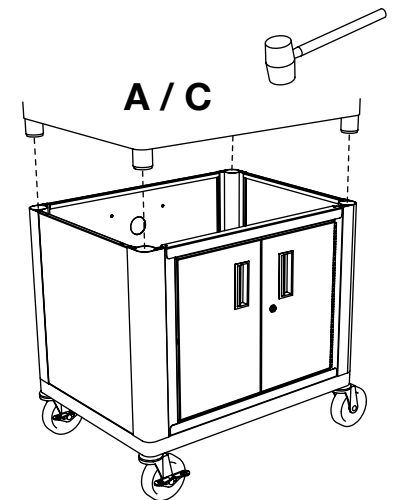
4



5



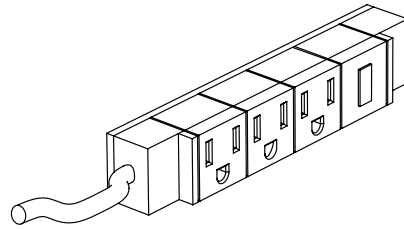
6



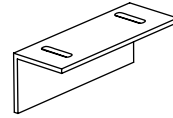
www.luxorfurn.com
www.hwilson.com

LP + LE Electrical Assembly Instructions

Parts List



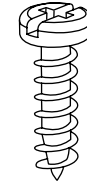
F x1



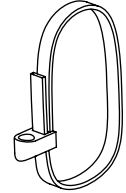
G x1

Tools Required

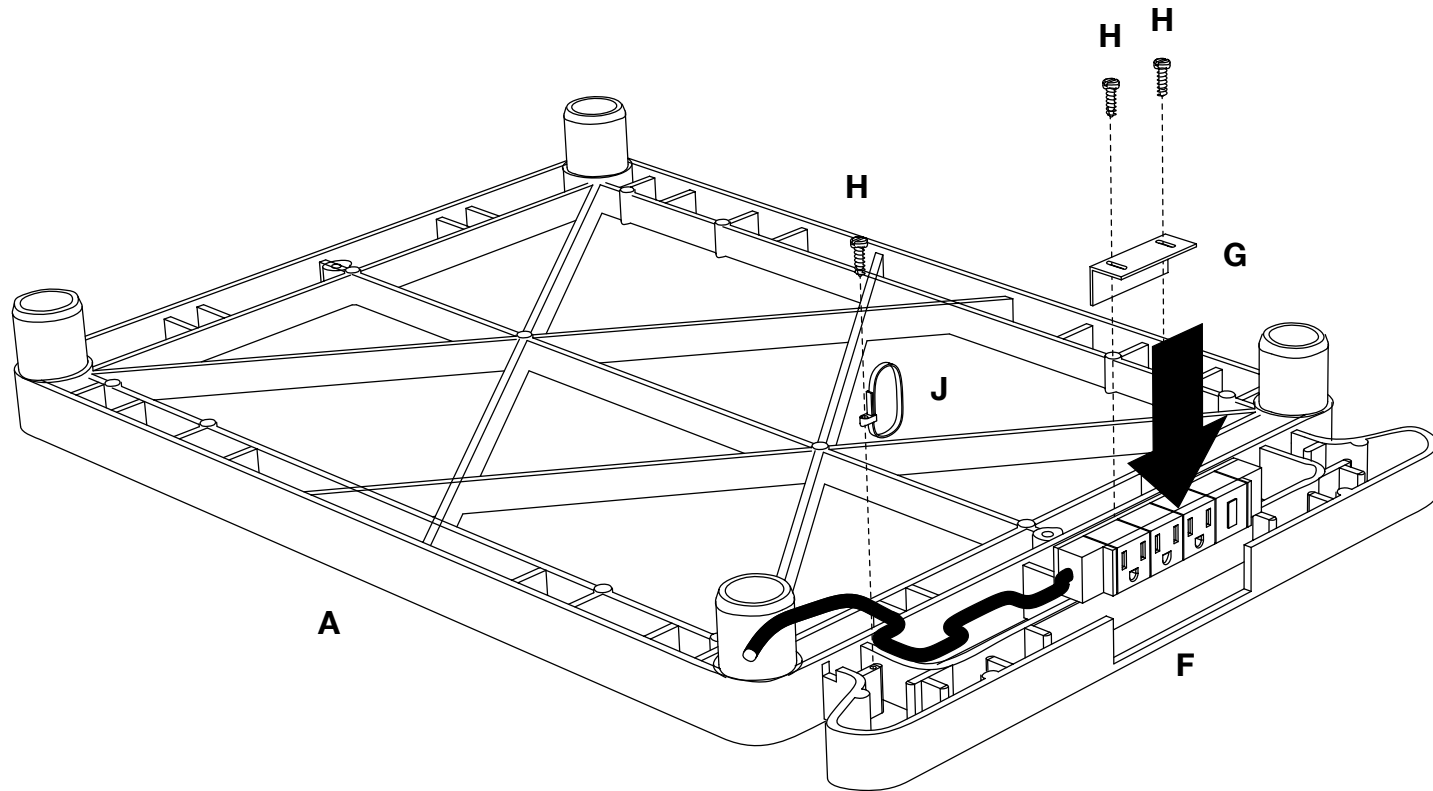
- Philips Screwdriver



H x3



J x1



1

Attach electric outlet **F** to top shelf **A**, secure with L bracket **G** and cable lock **J**. Loop outlet cable **F** through cable lock **J** and the inserts on shelf **A**. Screw L bracket **G** and cable lock **J** onto top shelf **A** with screw **H** and a philips screwdriver.