

www.luxorfurn.com  
www.hwilson.com

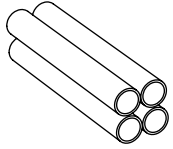
### Parts List

### Tools Required

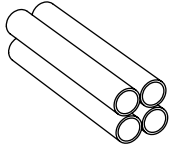
- Rubber Mallet

#### NOTICE:

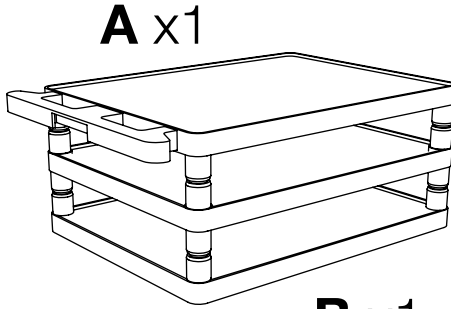
Leg lengths of leg **E** may be shorter than leg **F**



**E** x4



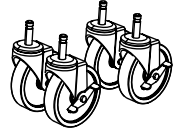
**F** x4



**A** x1

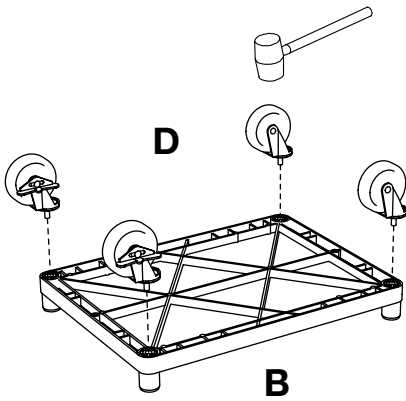
**C** x1

**B** x1



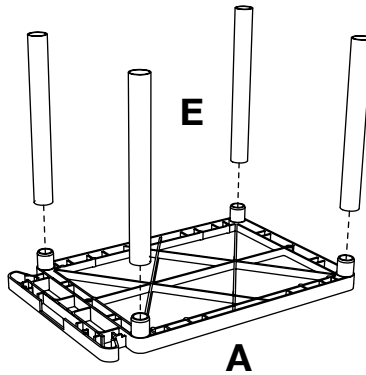
**D** x4

**1**

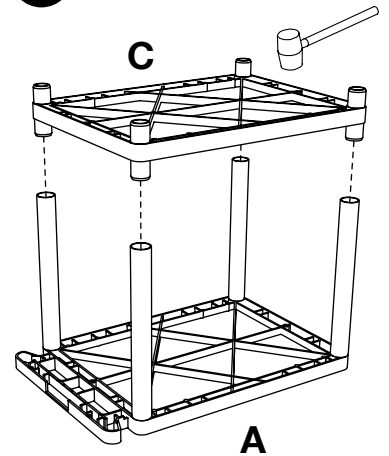


**2**

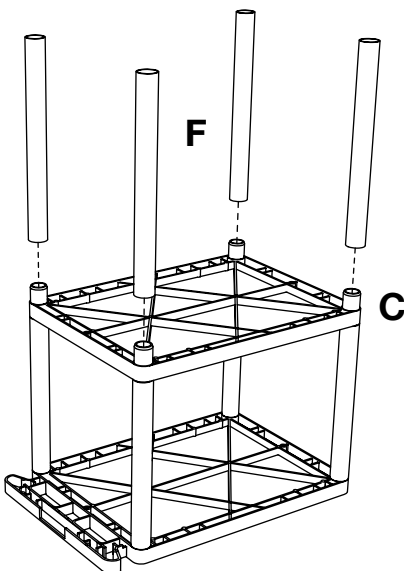
Install optional cabinet pack / pullout shelf / electrical assembly after step 1



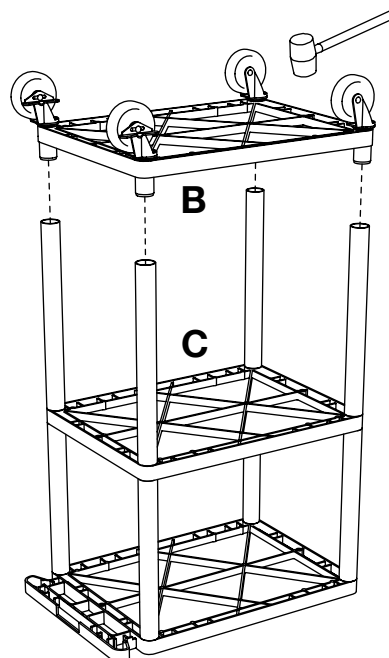
**3**



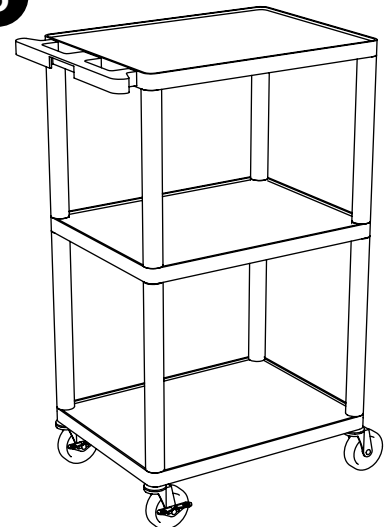
**4**



**5**

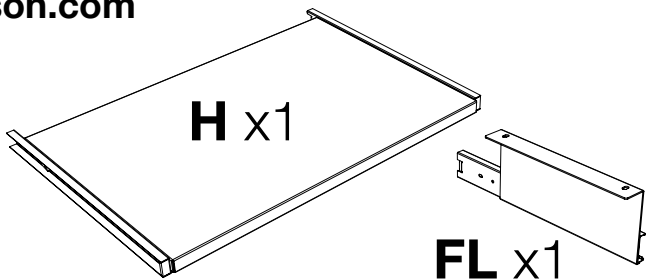


**6**



www.luxorfurn.com  
www.hwilson.com

### Parts List



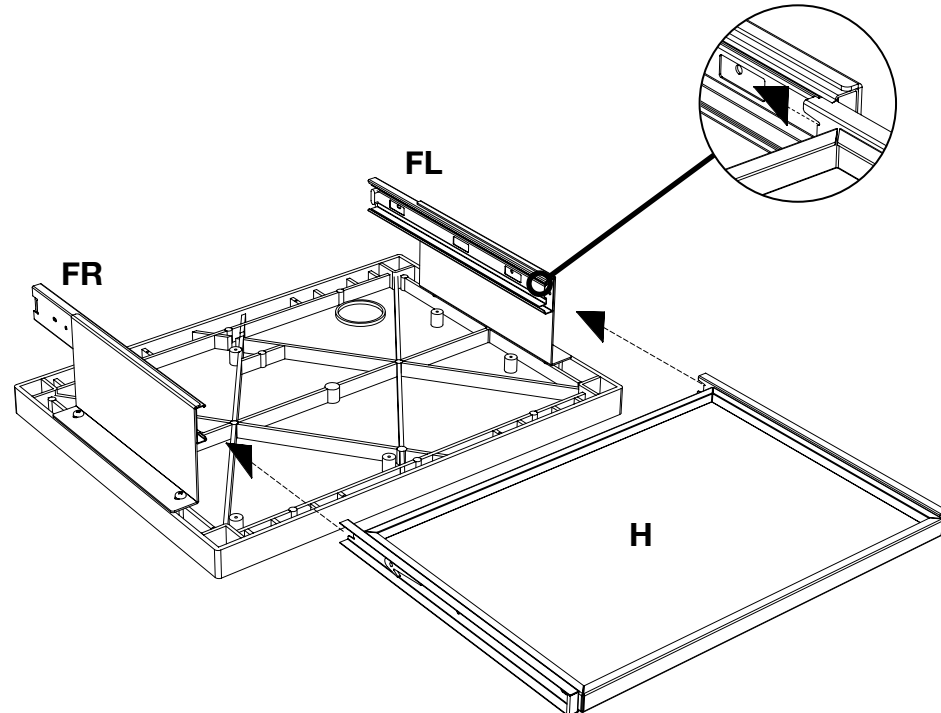
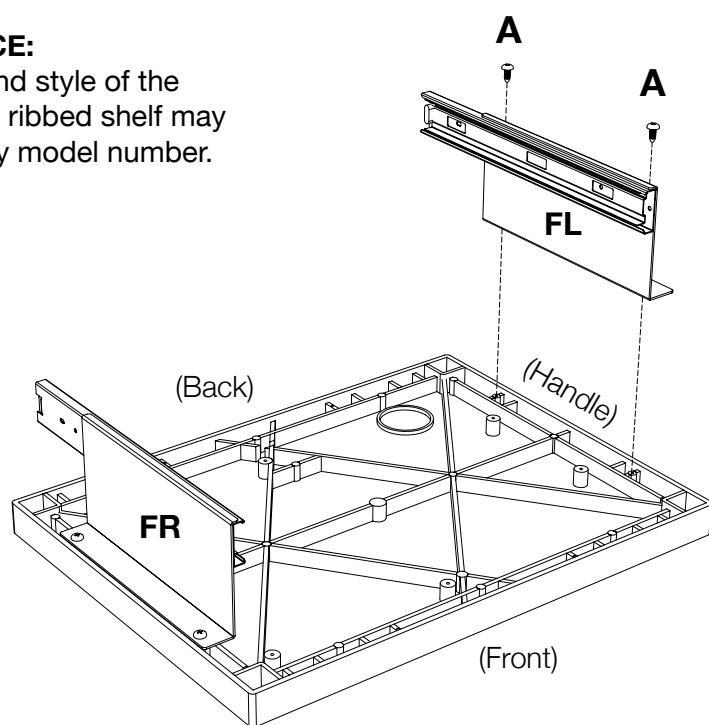
### Tools Required

- Phillips Screwdriver



### NOTICE:

Size and style of the plastic ribbed shelf may vary by model number.



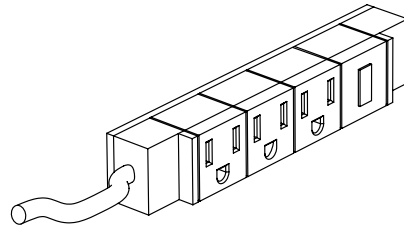
Take the top shelf of your plastic cart and lay it flat. Collect parts: **FL, FR & A**. Align **FR & FL** to the outer holes at the top of the shelf. Take screw **A** and fasten with a screwdriver, do not tighten fully until keyboard is attached.

Collect parts: **H**. Align the pullout shelf **H** runner so that the runner snaps into place into the **FL & FR** brackets. Pull the shelf out to make sure it is fully seated. Tighten screws **A**. Pullout keyboard shelf assembly is now complete.

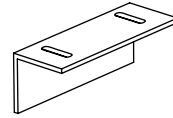
www.luxorfurn.com  
www.hwilson.com

## LP + LE Electrical Assembly Instructions

### Parts List



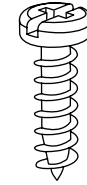
**F** x1



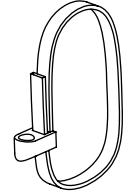
**G** x1

### Tools Required

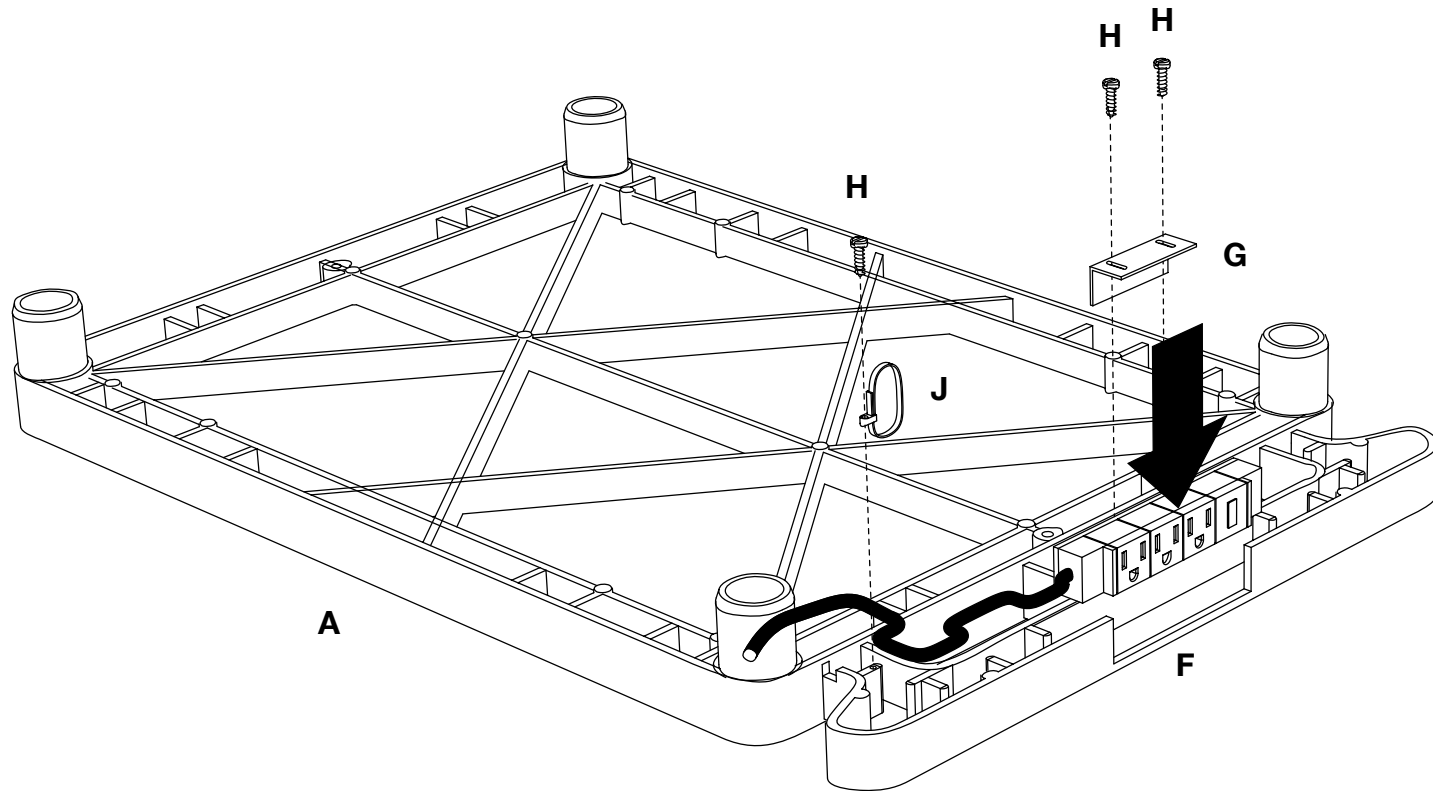
- Philips Screwdriver



**H** x3



**J** x1



**1**

Attach electric outlet **F** to top shelf **A**, secure with L bracket **G** and cable lock **J**. Loop outlet cable **F** through cable lock **J** and the inserts on shelf **A**. Screw L bracket **G** and cable lock **J** onto top shelf **A** with screw **H** and a philips screwdriver.