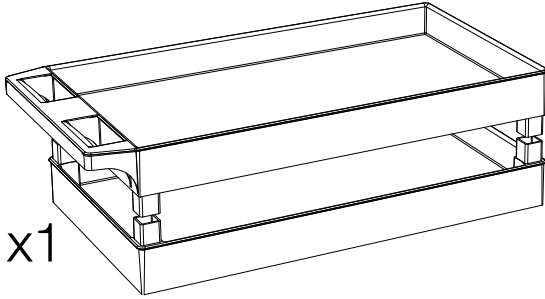


### Parts List

**A** x1

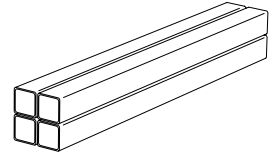
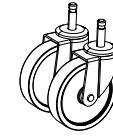
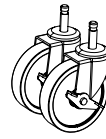
**B** x1



**C** x2

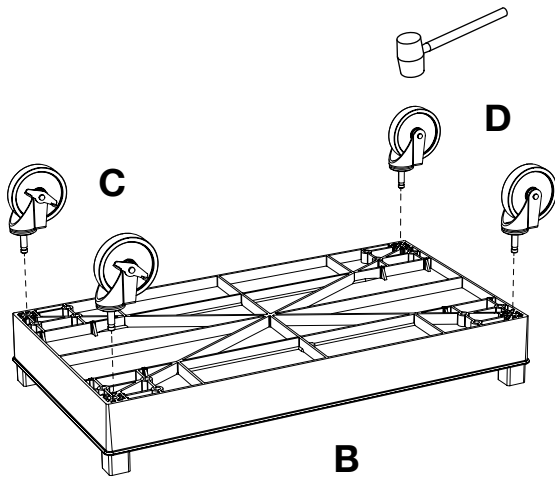
**D** x2

**E** x4

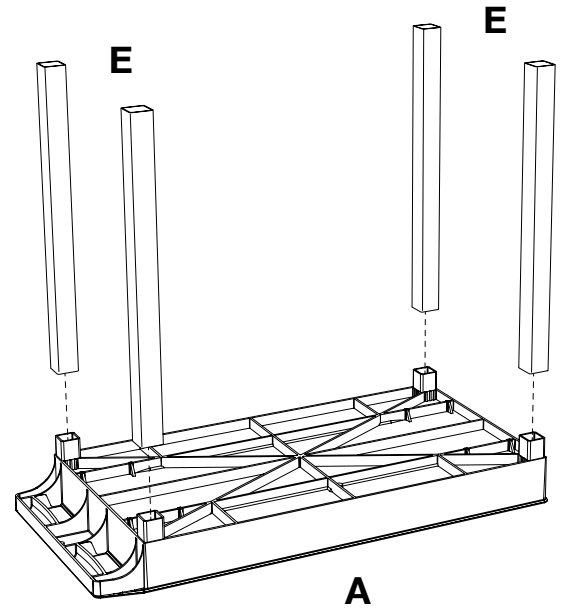


Tools Required: Rubber Mallet

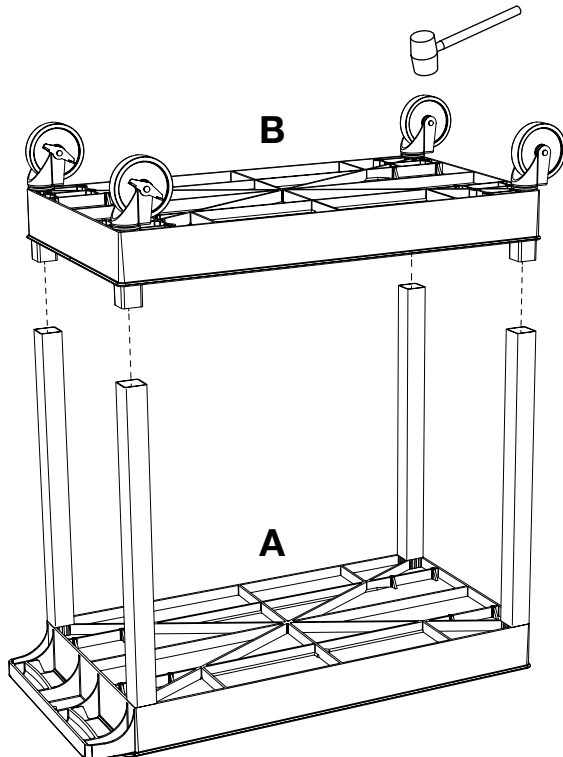
**1**



**2**



**3**



**4**

