

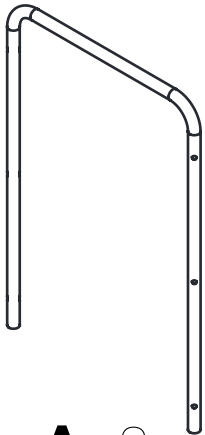
# 3 Shelf Stainless Steel Cart Instructions

03/15/13

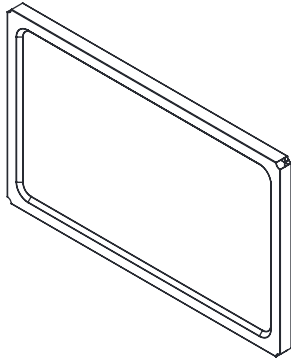
## Parts List

## Tools Required

- 1/2" or 13mm Wrench



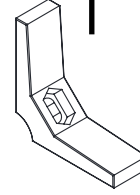
**A** x2



**B** x3



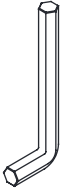
**C** x12



**D** x12



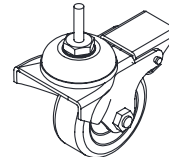
**E** x12



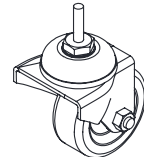
**F** x1



**G** x4



**H** x2

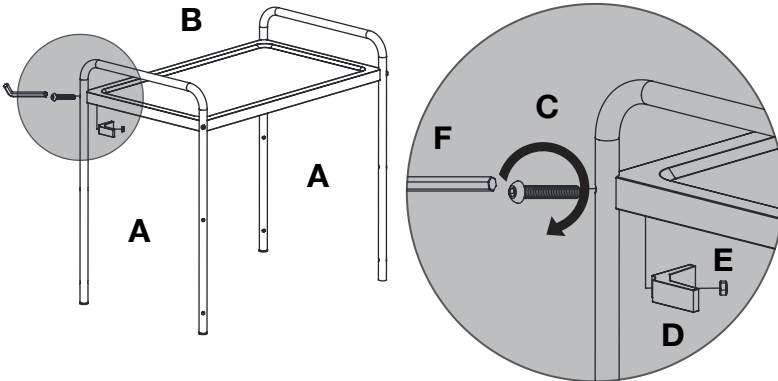


**J** x2

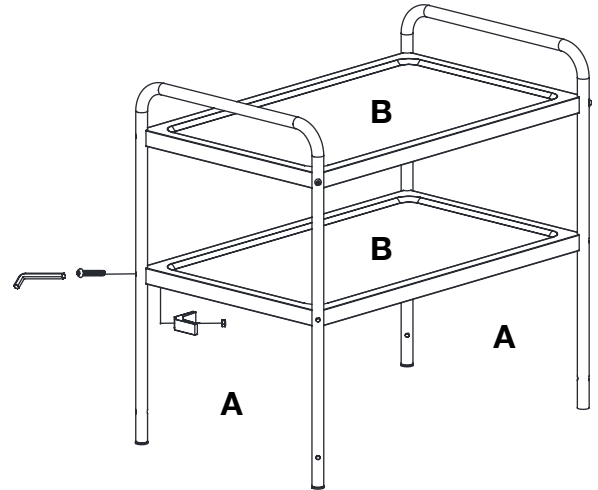


**K** x4

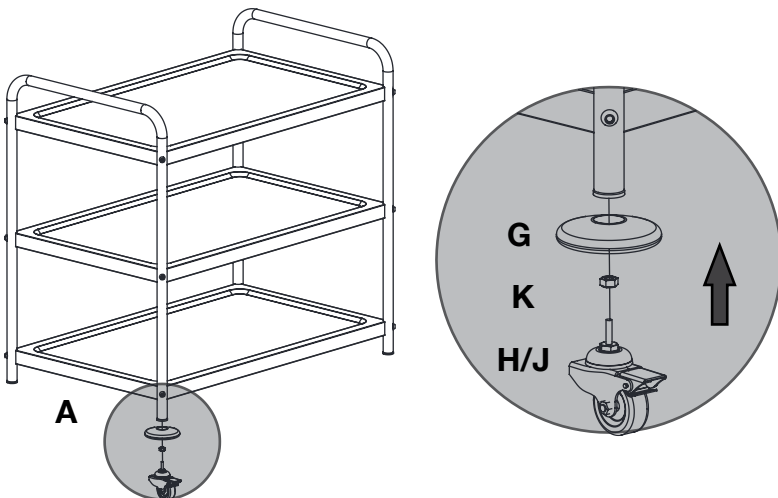
- 1** Using Allen wrench **F** and a 1/2" or 13mm Wrench, attach the top shelf to the tube frames with 4 screws **C**, 4 corner brackets **D** and 4 locking nuts **E**.



- 2** Repeat Step 1 for the Middle and Bottom shelves



- 3** Thread the adjustment nut **K** on casters **H** & **J** until tight. Push the plastic bumper **G** onto frame **A**, and thread the casters **H** & **J** to frame **A**. Secure with Wrench.



- 4** Place the cart on a level surface and tighten all of the hardware using the Allen wrench and a 1/2" or 13mm Wrench.

