



72" X 40" WALL-MOUNTED MAGNETIC GHOST GRID WHITEBOARD

WB7240LB

Luxor's 72" x 40" wall-mounted magnetic whiteboard features a 2" x 2" ghost grid pattern that instantly transforms a traditional whiteboard into an effective tool to facilitate communication in schools, businesses, and manufacturing environments. Two rolls of whiteboard tape are included to create the straight lines required for professional-looking graphs and columns without drawing attention to the grid lines.

Perfect for sharing ideas, collaborating, or tracking LEAN initiatives, this dry erase board's painted steel surface provides a smooth writing finish that resists stains and ghosting while the magnetic quality allows printed documents and notes to be easily displayed.

Lightweight, durable, and easy to mount, Luxor's magnetic ghost grid whiteboard offers a modern look with the functionality and versatility required for today's classroom, office, training center, or production setting.

Dimensions:

- Overall: 72"W x 40"H
- Tray: 71"W x 2"D

Features:

- 72" x 40" whiteboard with 2" x 2" ghost grid pattern
- Includes two rolls of black whiteboard tape to create graphs and columns
- Painted steel whiteboard surface resists ghosting and staining
- Magnetic surface allows for posting of documents and notes
- 1" aluminum frame delivers contemporary style and lasting durability
- 2" deep aluminum marker tray provides easy storage of whiteboard supplies
- Mounting brackets and hardware included for quick installation
- Ships ground in one box

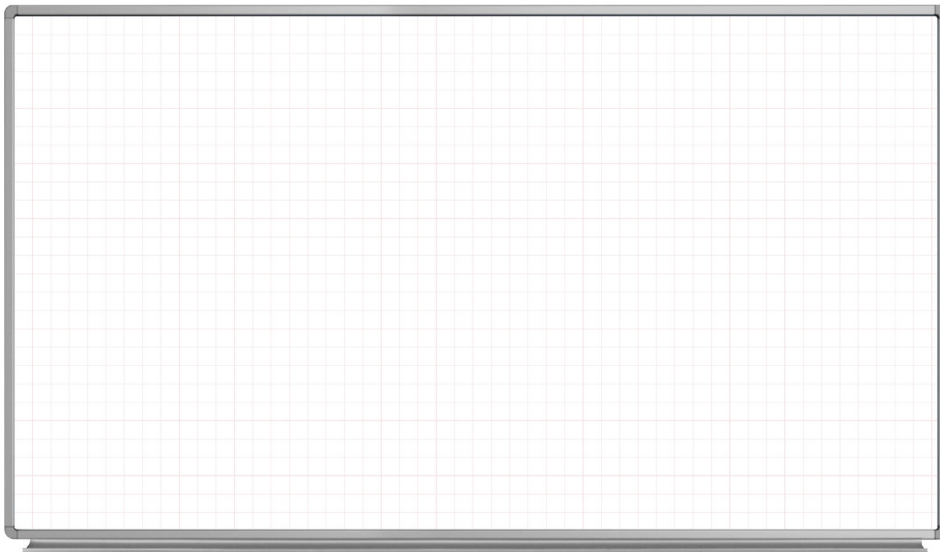
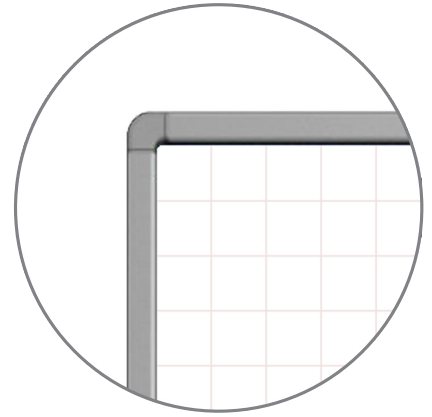
**72" X 40" WALL-MOUNTED
MAGNETIC GHOST GRID
WHITEBOARD**

WB7240LB

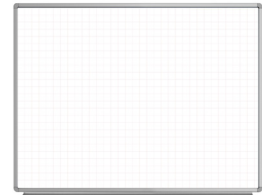
Features a 2" x 2" ghost grid pattern that transforms a traditional dry erase board into a visual management whiteboard

**ALSO AVAILABLE:
48" x 36" wall-mounted version (WB4836LB)**

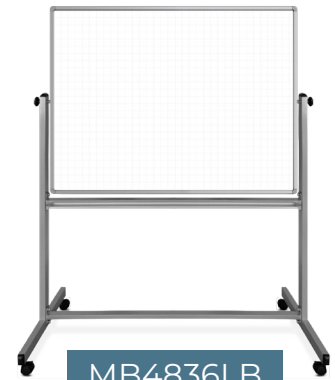
**48" x 36" and 72" x 40" mobile versions
(MB4636LB, MB7240LB)**



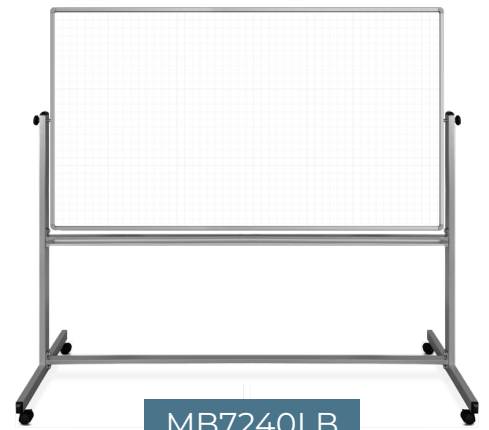
WB7240LB



WB4836LB



MB4836LB



MB7240LB



72" X 40" WALL-MOUNTED MAGNETIC GHOST GRID WHITEBOARD

WB7240LB

Luxor's 72" x 40" wall-mounted magnetic whiteboard features a 2" x 2" ghost grid pattern that instantly transforms a traditional whiteboard into an effective tool to facilitate communication in schools, businesses, and manufacturing environments. Two rolls of whiteboard tape are included to create the straight lines required for professional-looking graphs and columns without drawing attention to the grid lines.

Perfect for sharing ideas, collaborating, or tracking LEAN initiatives, this dry erase board's painted steel surface provides a smooth writing finish that resists stains and ghosting while the magnetic quality allows printed documents and notes to be easily displayed.

Lightweight, durable, and easy to mount, Luxor's magnetic ghost grid whiteboard offers a modern look with the functionality and versatility required for today's classroom, office, training center, or production setting.

Dimensions:

- Overall: 72"W x 40"H
- Tray: 71"W x 2"D

Features:

- 72" x 40" whiteboard with 2" x 2" ghost grid pattern
- Includes two rolls of black whiteboard tape to create graphs and columns
- Painted steel whiteboard surface resists ghosting and staining
- Magnetic surface allows for posting of documents and notes
- 1" aluminum frame delivers contemporary style and lasting durability
- 2" deep aluminum marker tray provides easy storage of whiteboard supplies
- Mounting brackets and hardware included for quick installation
- Ships ground in one box

2245 Delany Road, Waukegan, IL 60087
800-323-4656 | Fax 847-244-1818 | www.LuxorFurn.com

LUXOR

INNOVATIVE WORKSPACE PRODUCT SOLUTIONS

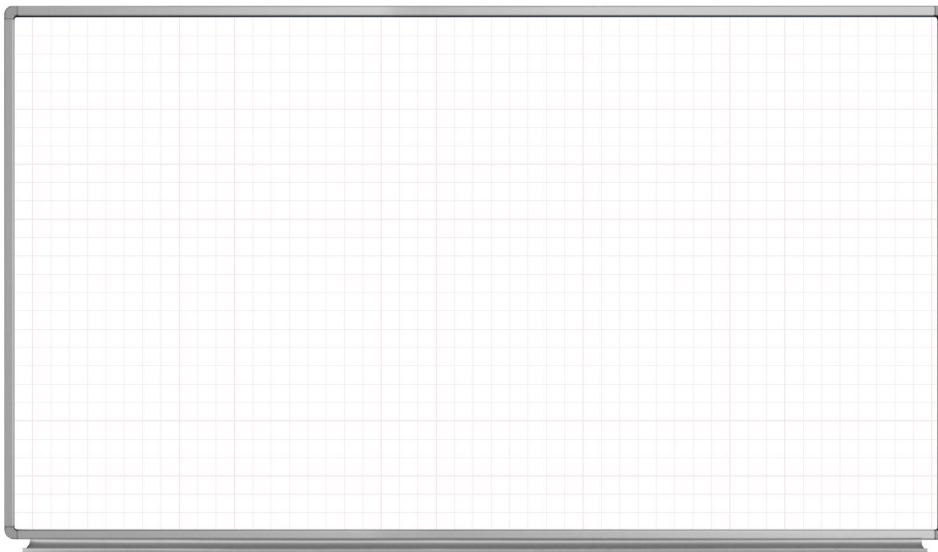
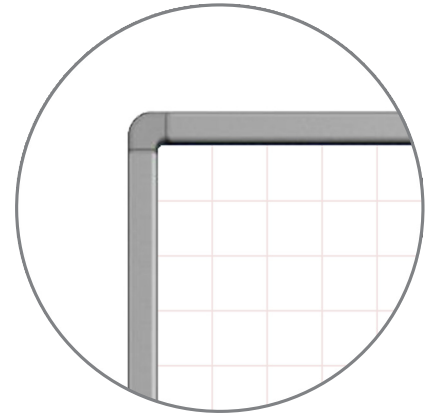
**72" X 40" WALL-MOUNTED
MAGNETIC GHOST GRID
WHITEBOARD**

WB7240LB

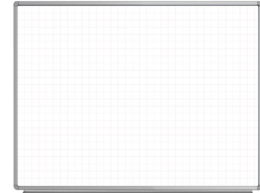
Features a 2" x 2" ghost grid pattern that transforms a traditional dry erase board into a visual management whiteboard

**ALSO AVAILABLE:
48" x 36" wall-mounted version (WB4836LB)**

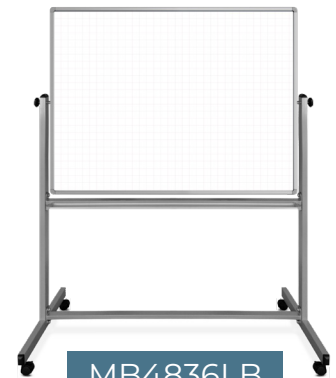
**48" x 36" and 72" x 40" mobile versions
(MB4636LB, MB7240LB)**



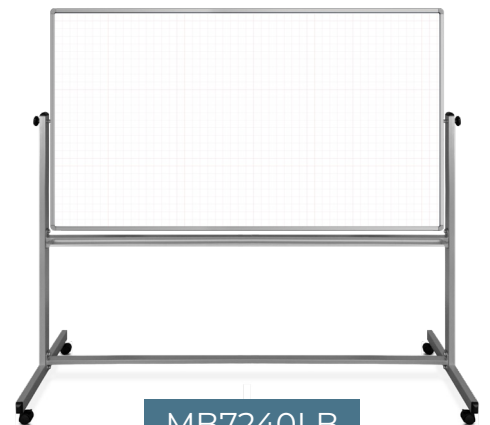
WB7240LB



WB4836LB



MB4836LB



MB7240LB