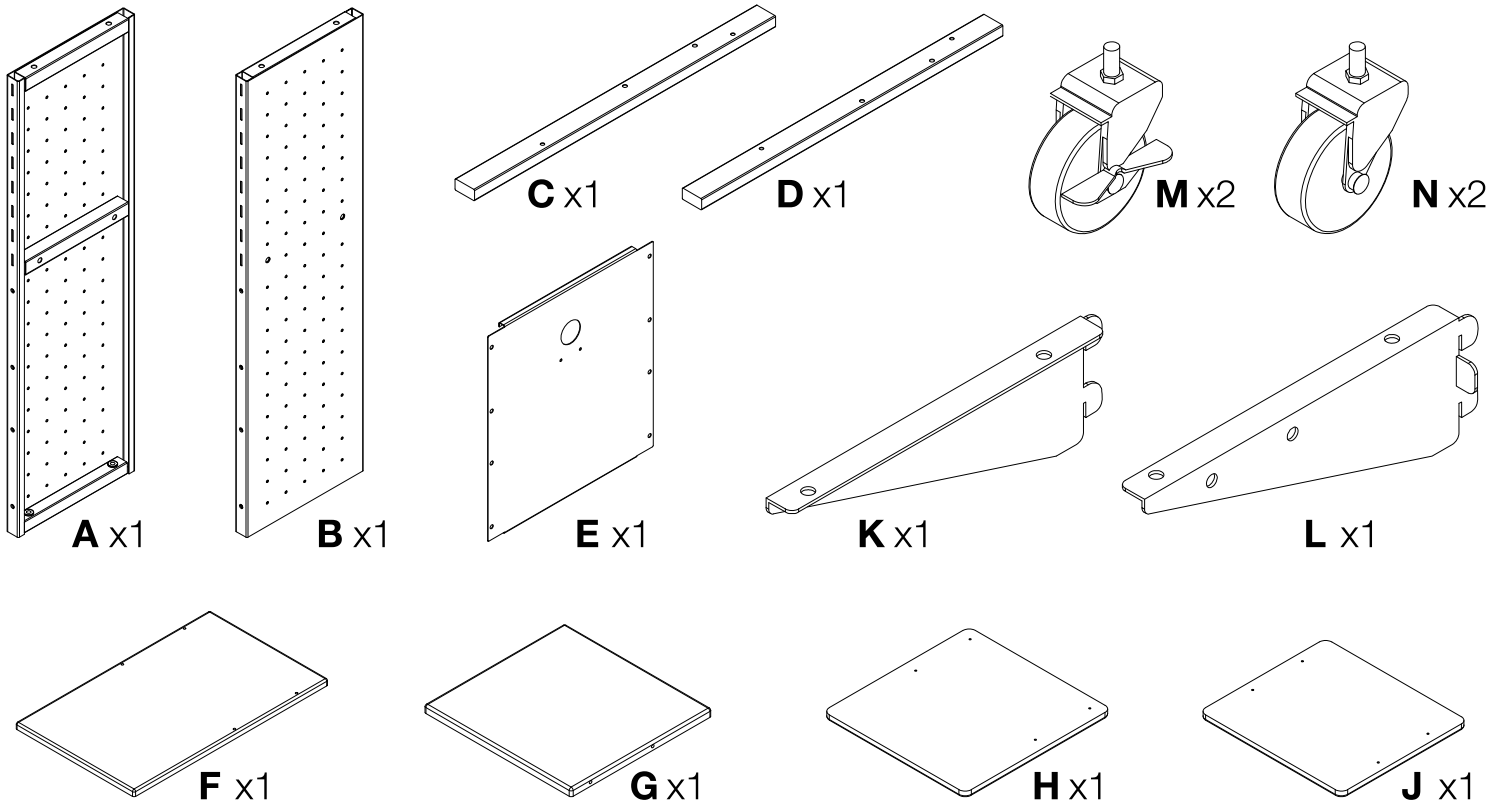


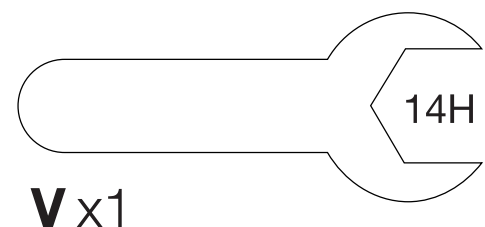
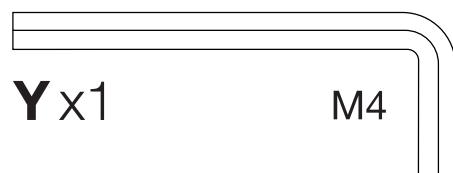
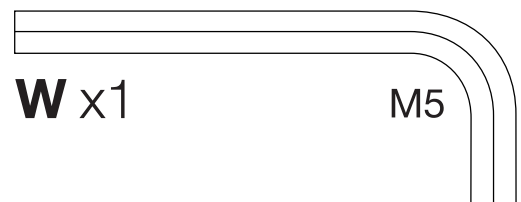
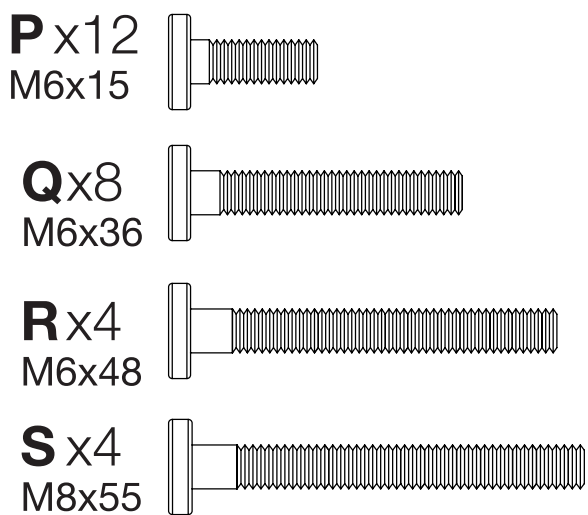
# WPS4 Instructions

02/03/17

## Parts List



## Hardware

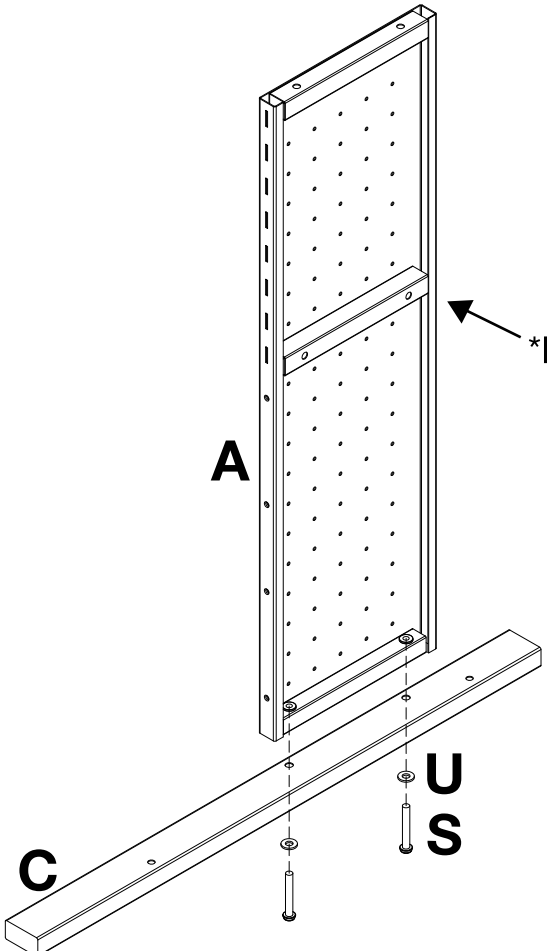


1

**Parts:** A x1, C x1  
**Hardware:** U x2, S x2  
W x1

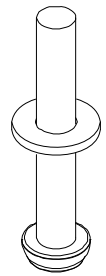
\*Note: Part **C** can be distinguished by laying the part on a flat surface. The side facing up will have 4 holes. The middle 2 sets of holes will be close to the upper left edge.

Lay Part **C** on a flat surface with the 4-holed side face up. Take Side **A** and hold it up against the center two holes located towards the upper left of Part **C** as shown.

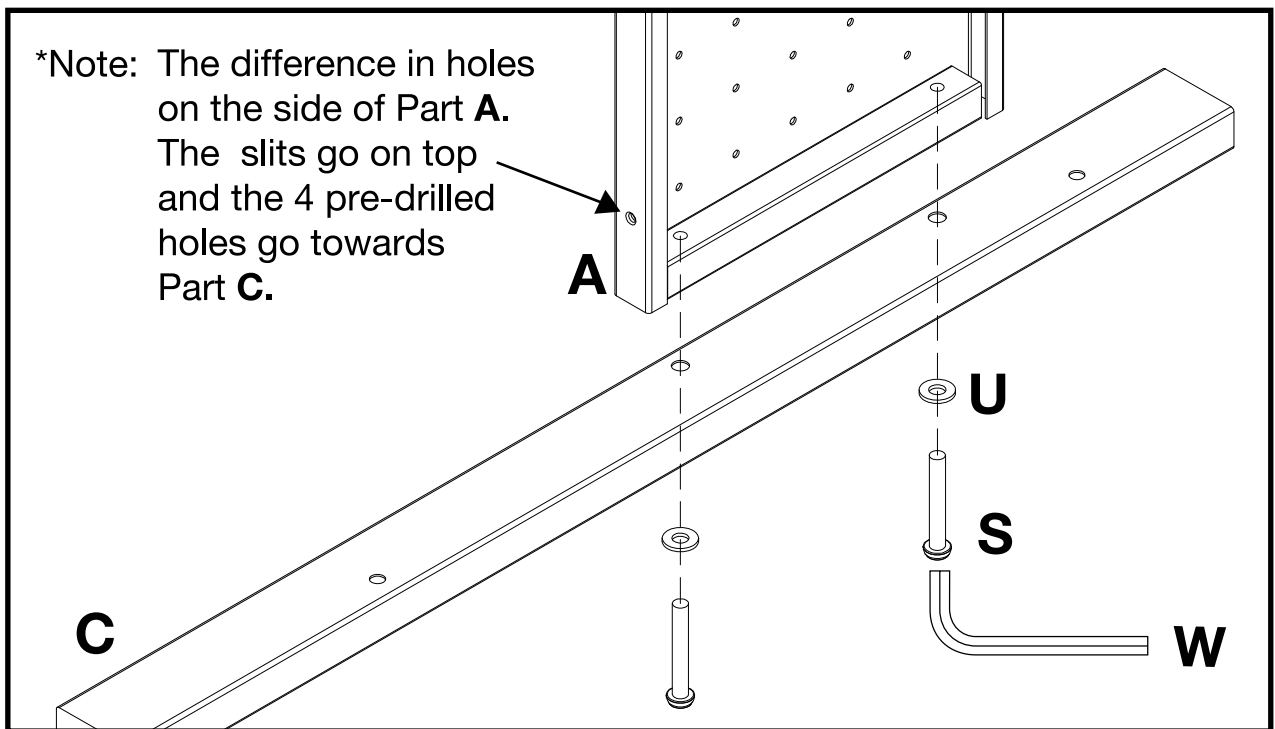


\*Note: Make sure that the extrusions on Side **A** are all facing inwards.

Screw **S** is the longest of the screws included and Washer **U** is the largest of the washers included. Place Washer **U** over Screw **S** as shown.



Next, insert the combined Parts **S** and **U** in through the bottom of Parts **C** and **A**. Use Allen wrench **W** to Tighten Both Part **S** screws.



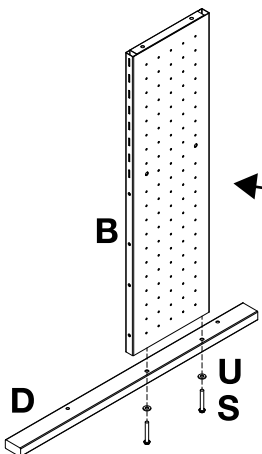
\*Note: The difference in holes on the side of Part **A**. The slits go on top and the 4 pre-drilled holes go towards Part **C**.

2

Parts: B x1, D x1  
Hardware: U x2, S x2  
W x1

Repeat Step 1 with Parts **B** and **D**.

\*Note: Part **D** can be distinguished by laying the part on a flat surface. The side facing up will have 4 holes. The middle 2 sets of holes will be close to the upper right edge.

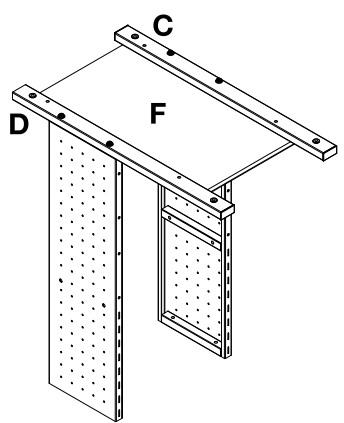


\*Note: Make sure that the extrusions on Side **B** are all facing inwards. They should not be visible from the outside face (as shown).

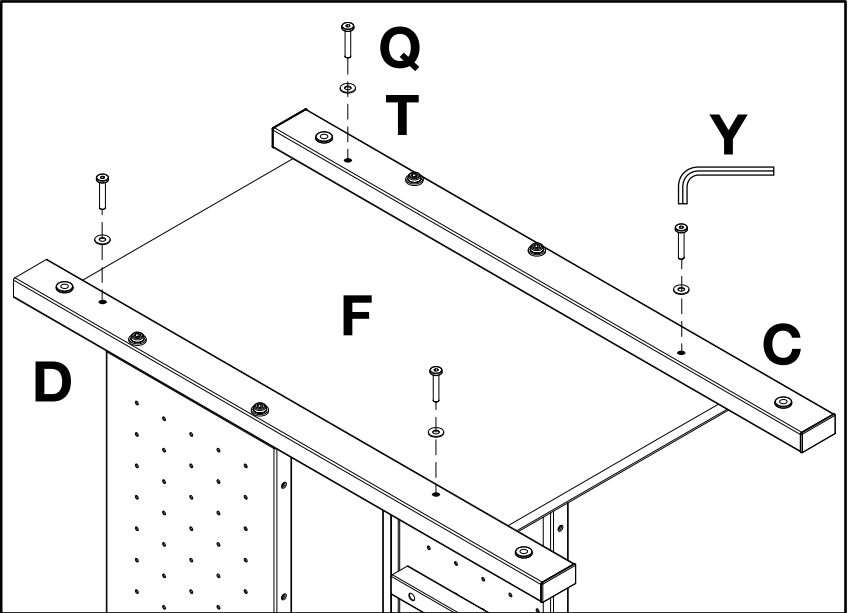
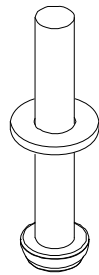
3

Parts: F x1  
Hardware : Q x4, T x4  
Y x1

\*Note: Base **F** is the only large rectangular piece. Flip the unit over as shown below. Take Base **F** and insert it between Parts **C** and **D**. Note that parts **C** and **D** have 6 holes on the bottom of each piece.



Screw **Q** is the second shortest of the screws included and Washer **T** is the smallest of the washers included. Place Washer **T** over Screw **Q** as shown.



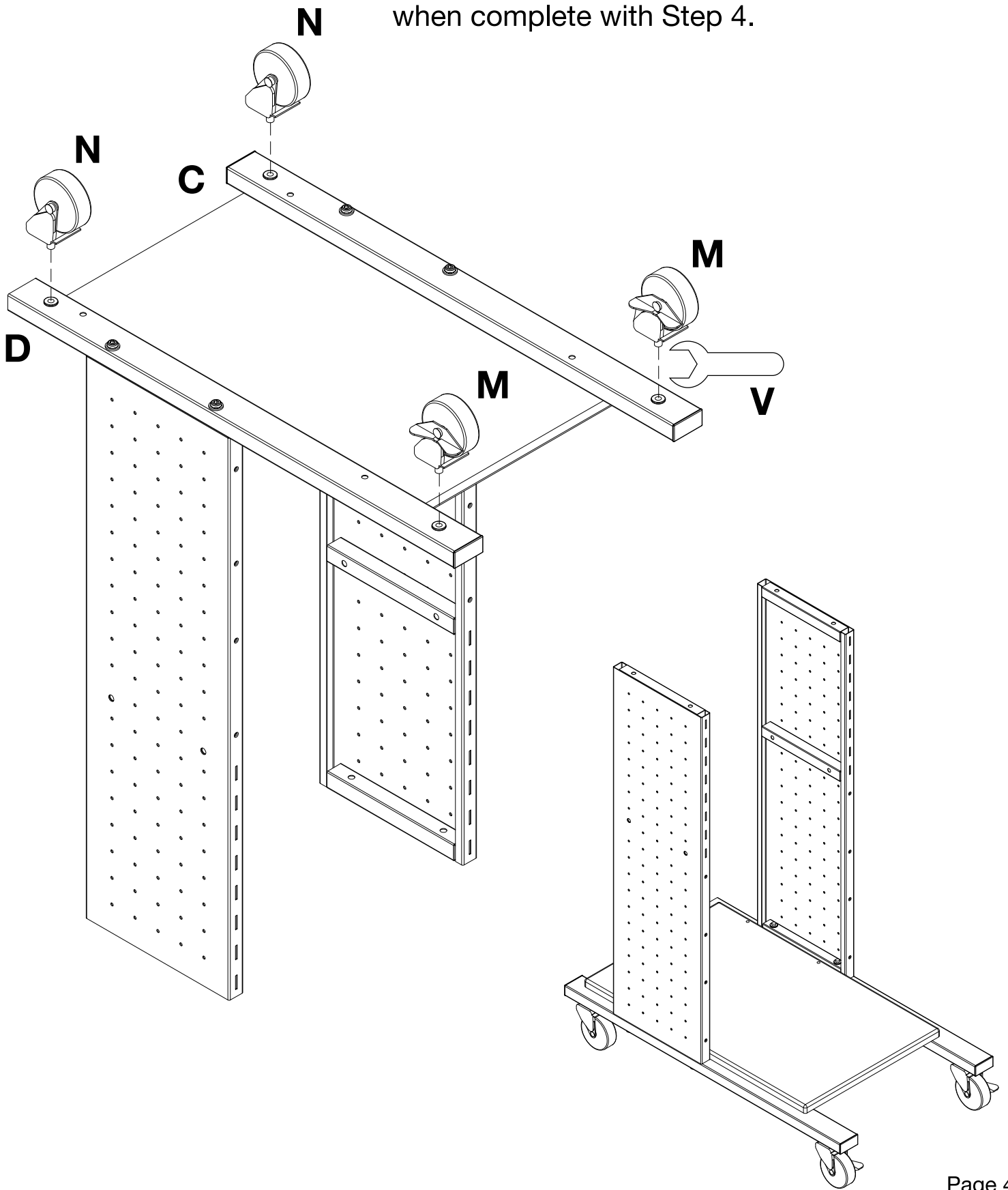
Take the combined Parts **Q** and **T** and insert them into the 2nd and 5th holes on Parts **C** and **D**. Tighten the screws using Allen wrench **Y**.

4

Parts: M x2, N x2  
Hardware: V x1

\*Note: Part **M**, the locking casters, will be in the front of the unit. See diagram for reference.

Insert Casters **M** and **N** into the 1st and 6th holes on Parts **C** and **D**. Use Wrench **V** to attach and tighten Casters **M** and **N**. Flip the unit upright when complete with Step 4.

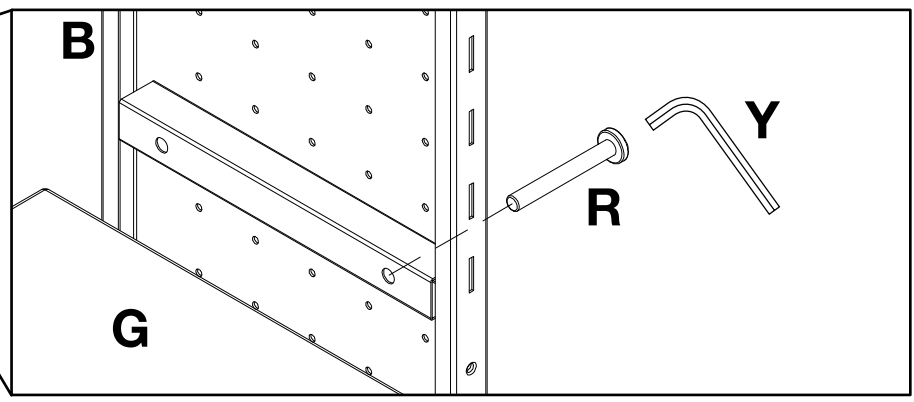
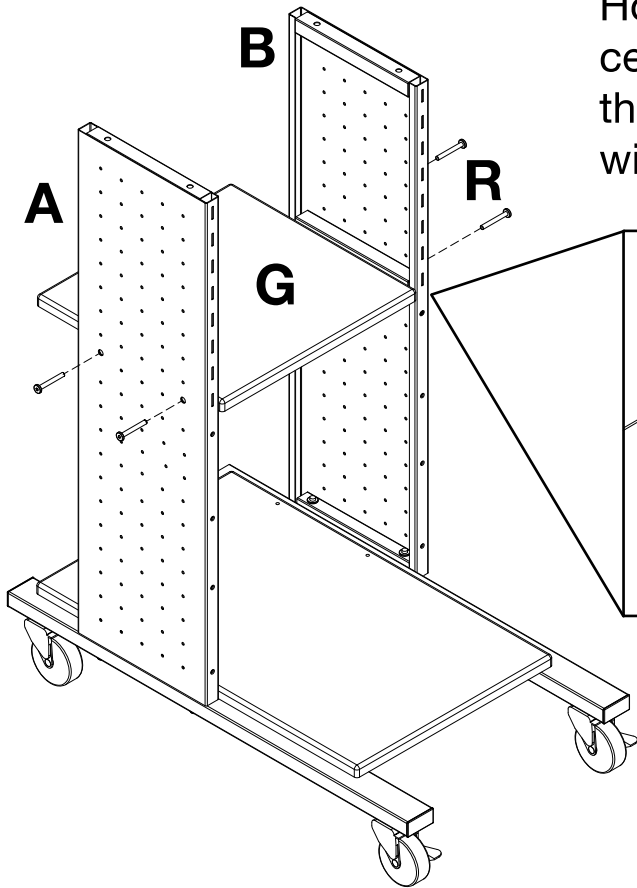


**5**

**Parts:** G x1  
**Hardware:** R x4, Y x1

\*Note: Part **G** is the square shelf with the beveled edge.  
Part **R** are the second largest screws.

Hold Shelf **G** inbetween Sides **A** and **B** on the center extrusion. Insert Screw **R** into the holes of the center extrusion on Sides **A** and **B** and tighten with Allen Wrench **Y**.

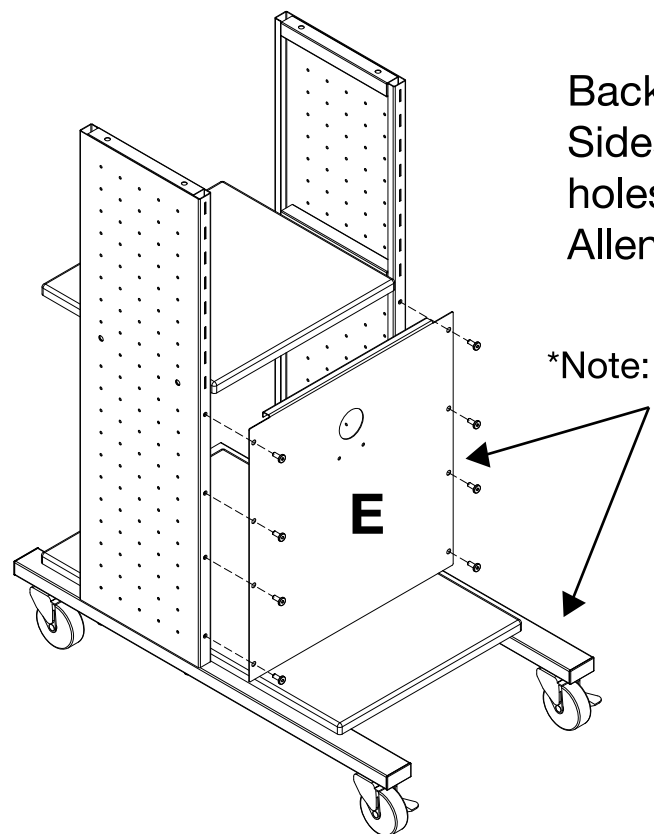


**6**

**Parts:** E x1  
**Hardware:** P x8, Y x1

\*Note: Part **E** is the square back with a hole at the top.  
Part **P** are the smallest screws.

Back Panel **E** gets attached to the bottom of Sides **A** and **B**. Insert Screw **P** into the pre-drilled holes on the side of Sides **A** and **B**. Tighten with Allen Wrench **Y**.



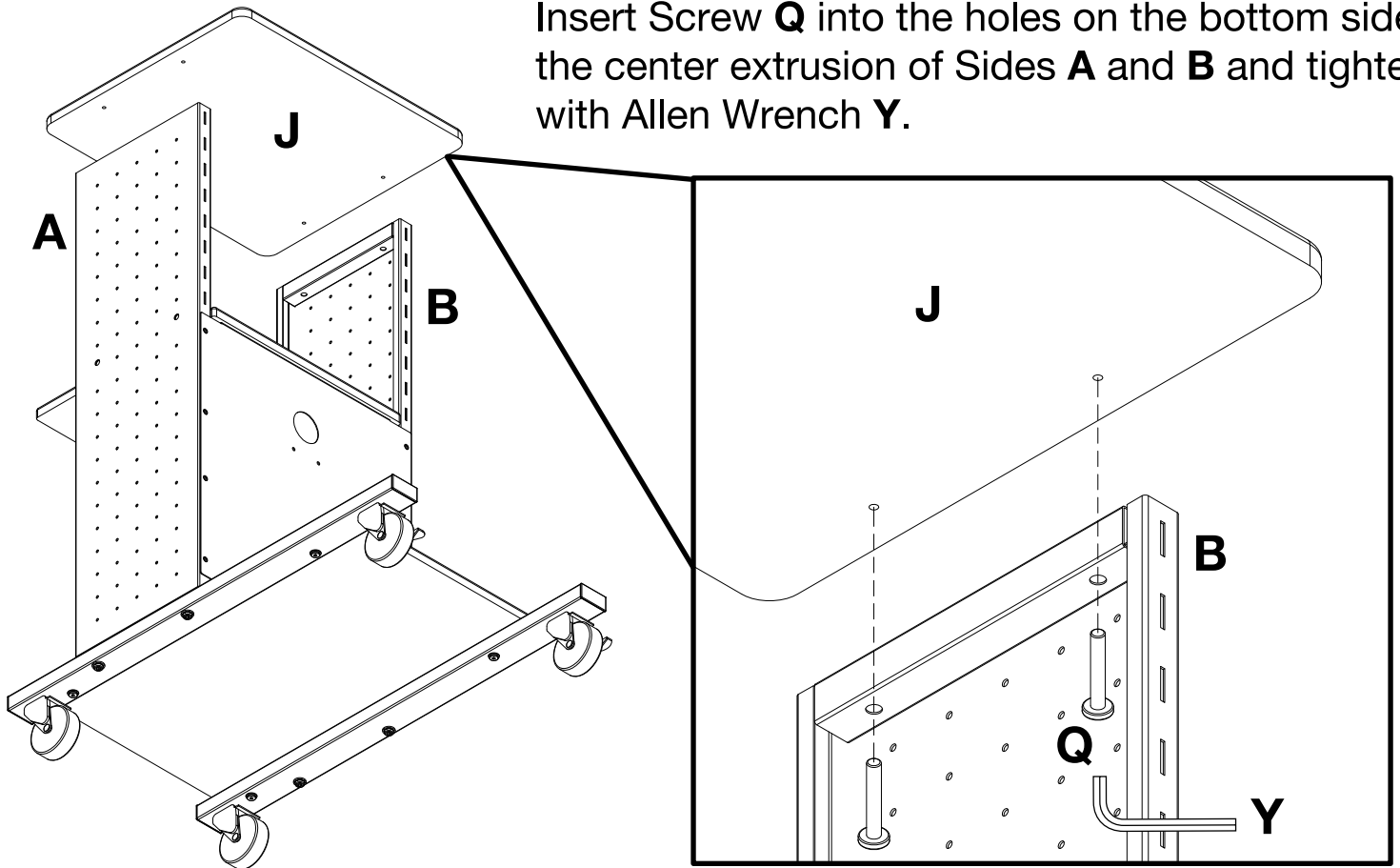
\*Note: Back Panel **E** will be attached to the long side of the base with the locking casters.

7

Parts: J x1  
Hardware: Q x4, Y x1

\*Note: Part **J** is the smallest square shelf with 4 pre-drilled holes. Screw **Q** is the second shortest of the screws included.

Hold Shelf **J** on top of Sides **A** and **B** lining up the pre-drilled holes with the holes on the extrusion. Insert Screw **Q** into the holes on the bottom side of the center extrusion of Sides **A** and **B** and tighten with Allen Wrench **Y**.

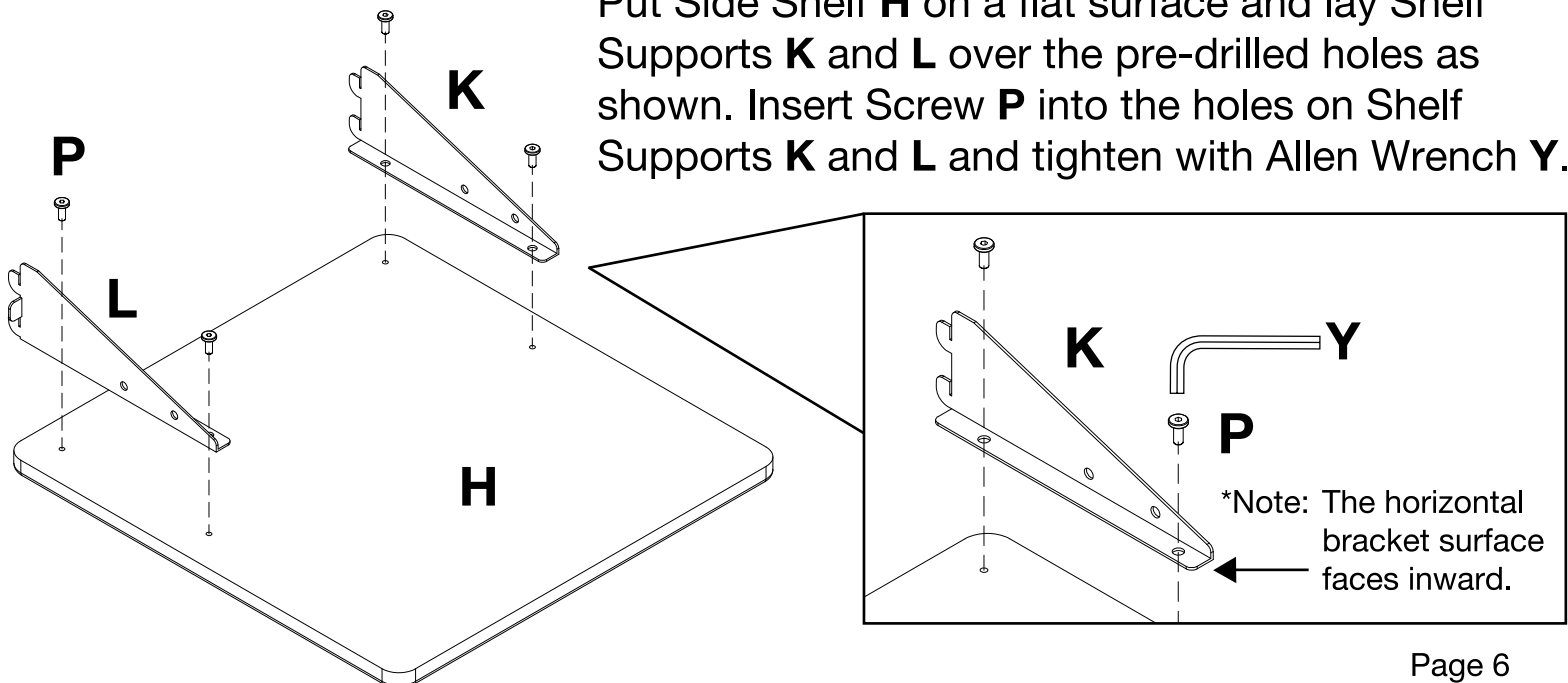


8

Parts: H x1,  
Hardware: P x4, Y x1

\*Note: Part **H** is the side shelf with 4 pre-drilled holes on the back of it. Part **P** are the smallest screws.

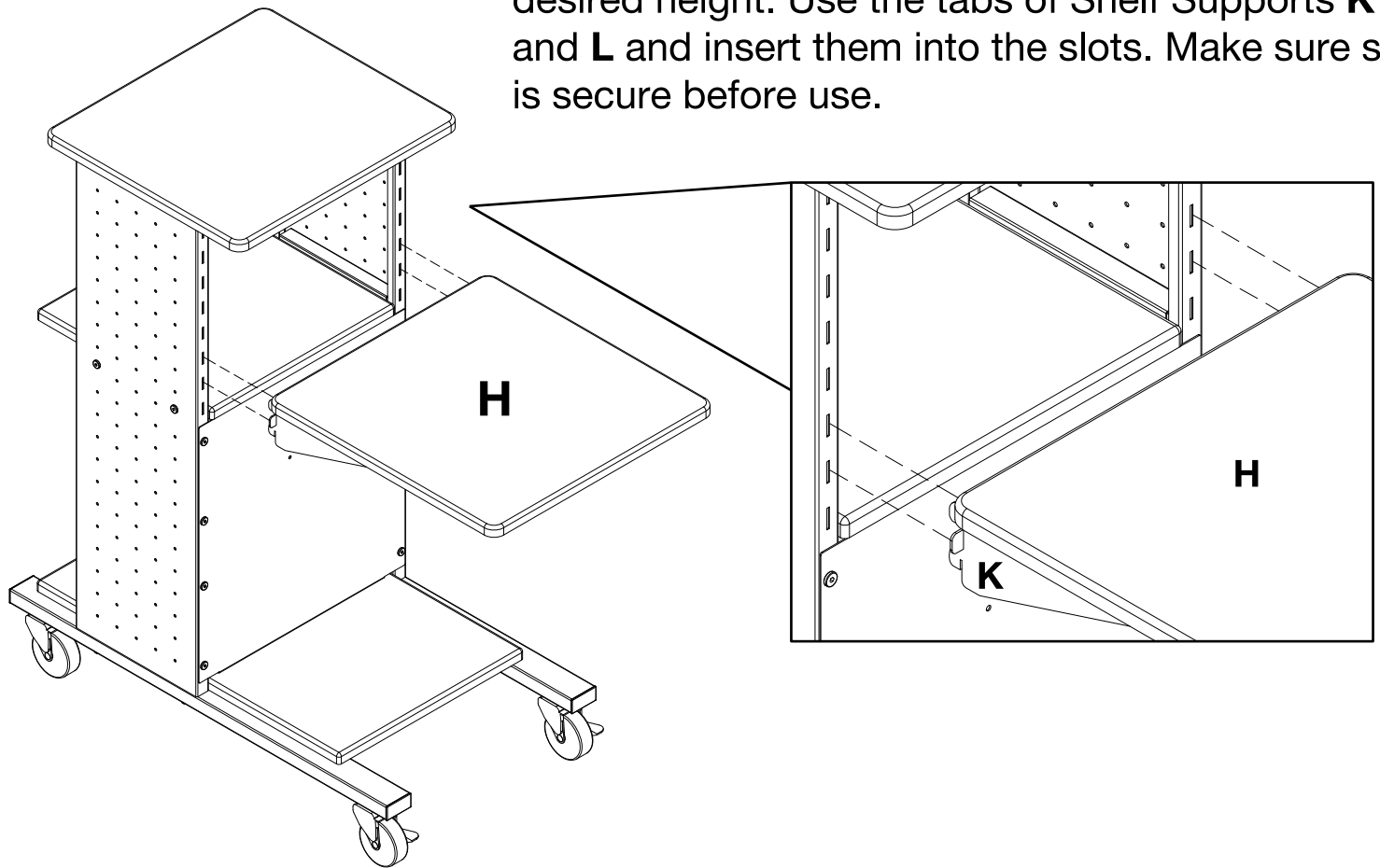
Put Side Shelf **H** on a flat surface and lay Shelf Supports **K** and **L** over the pre-drilled holes as shown. Insert Screw **P** into the holes on Shelf Supports **K** and **L** and tighten with Allen Wrench **Y**.



7

Parts: H x1

Locate the slots on the sides of Parts **A** and **B**. Take Side Shelf **H** and line it up with the slots at the desired height. Use the tabs of Shelf Supports **K** and **L** and insert them into the slots. Make sure shelf is secure before use.



8

Completed Unit

