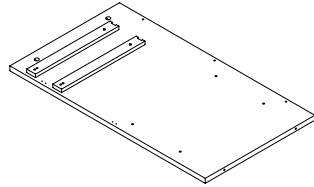
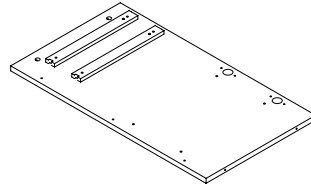


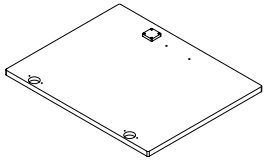
Parts List



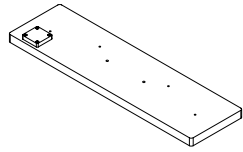
A x1



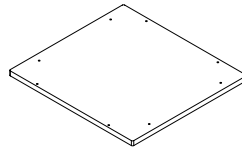
B x1



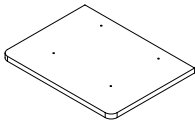
C x1



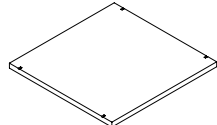
D x1



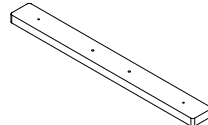
E x1



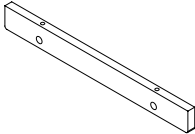
F x2



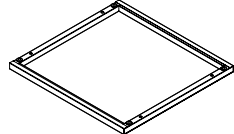
G x1



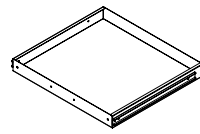
H x1



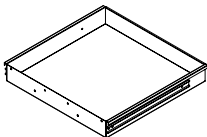
J x1



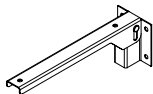
K x1



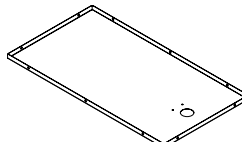
L x1



M x1



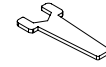
N x4



P x1

Tools Required

- Phillips Screwdriver



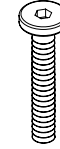
15 x1



16 x1



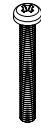
1 x34
M6x12



2 x4
M6x36



3 x14
M4x16



4 x6



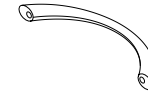
5 x4
M3x15



6 x6



7 x6



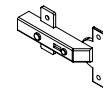
8 x3



9 x6



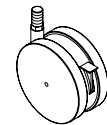
10 x4



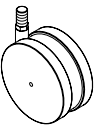
11 x2



12 x2

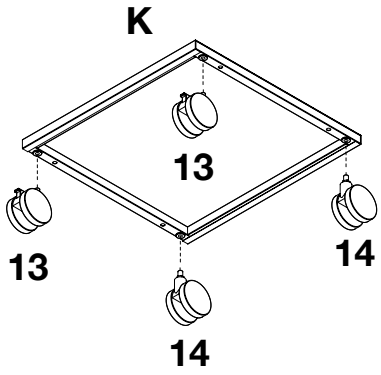


13 x2

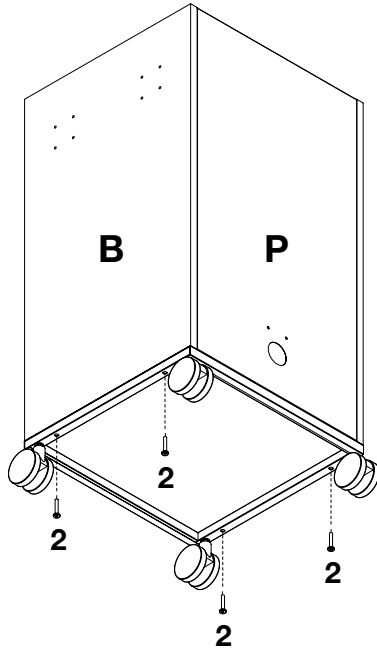


14 x2

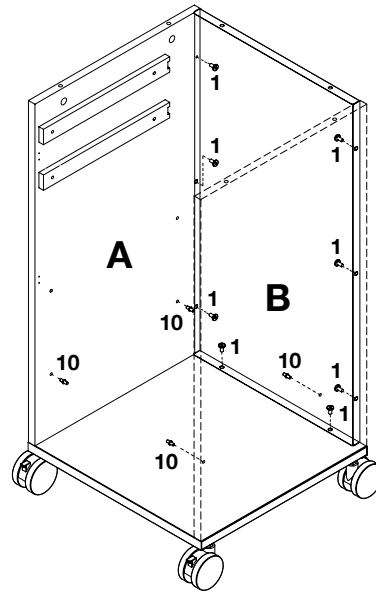
1



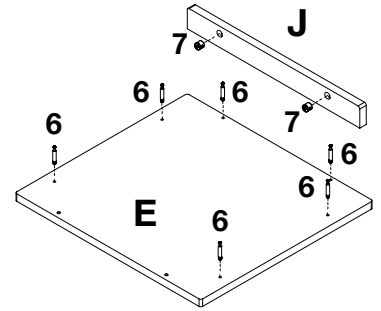
2



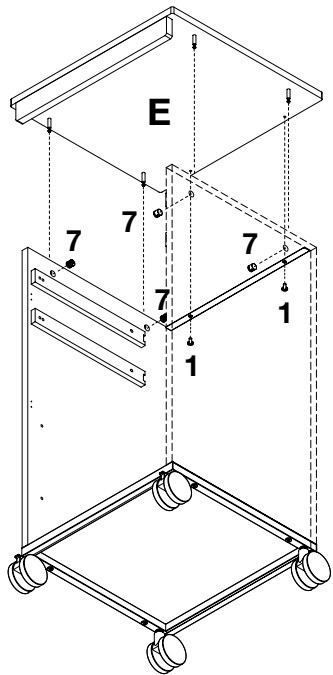
3



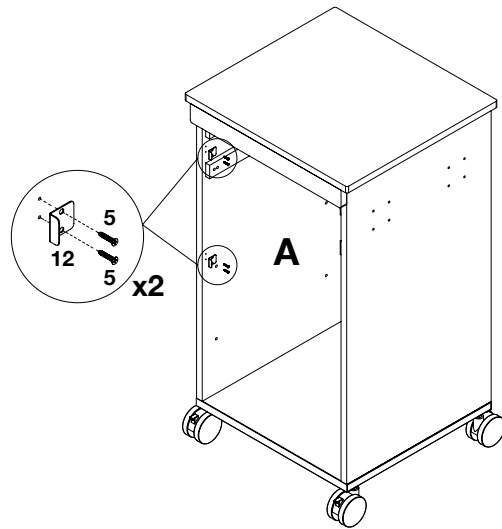
4



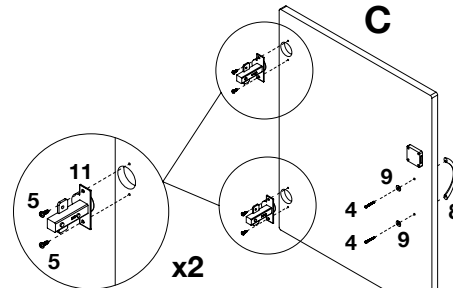
5



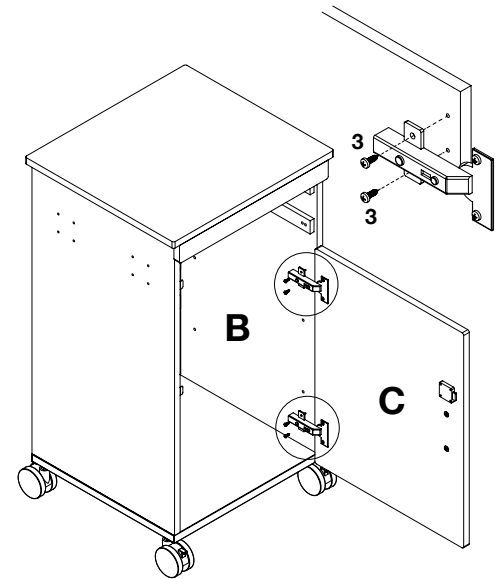
6



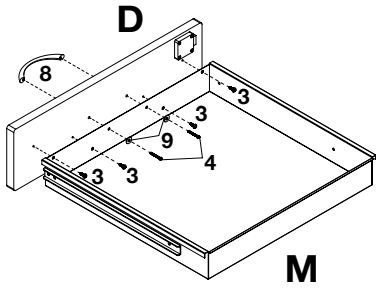
7



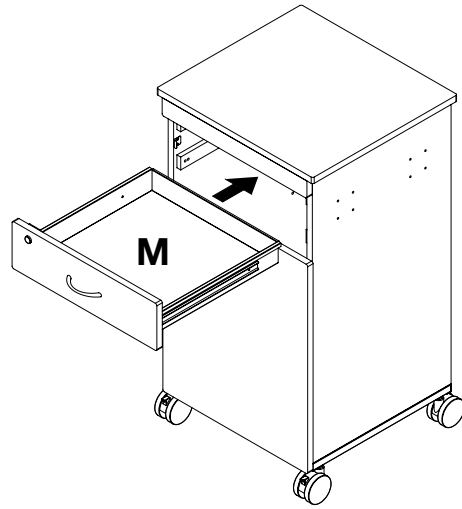
8



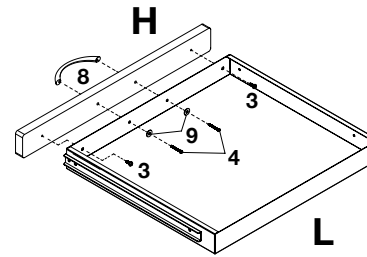
9



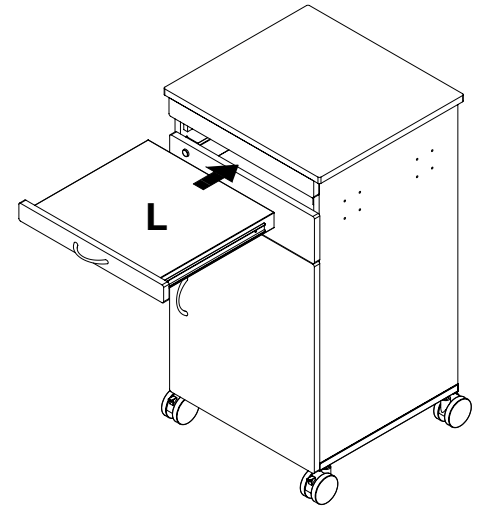
10



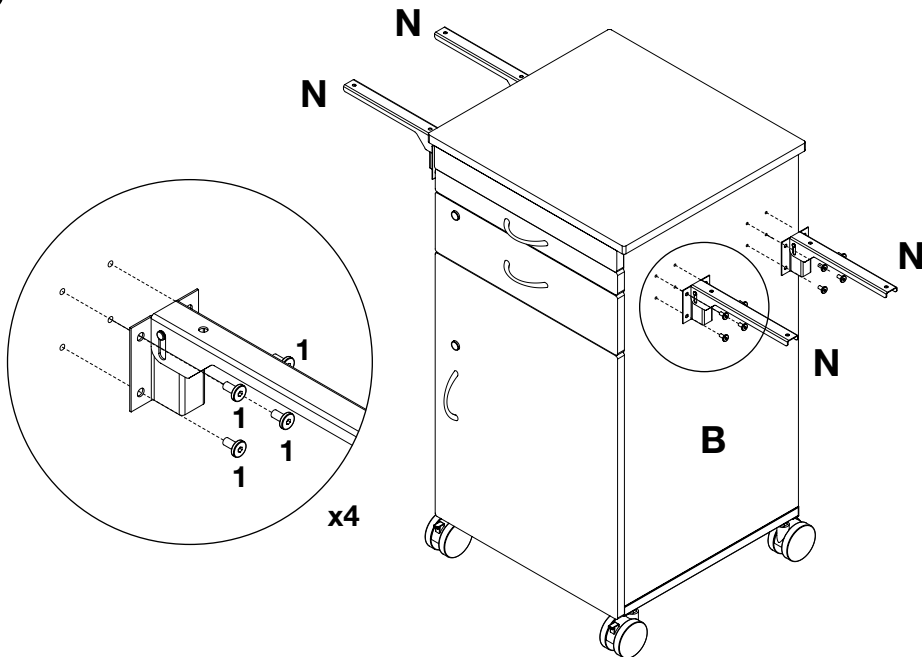
11



12



13



14

