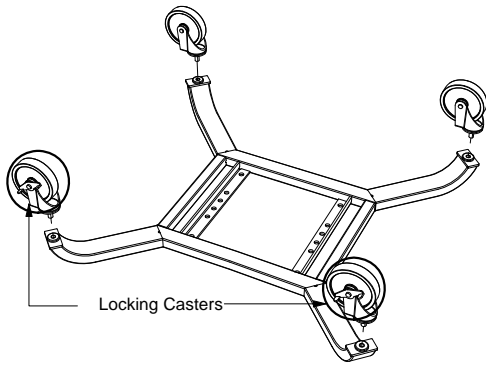


# Mobile Flat Panel TV Stand & Mount Instructions



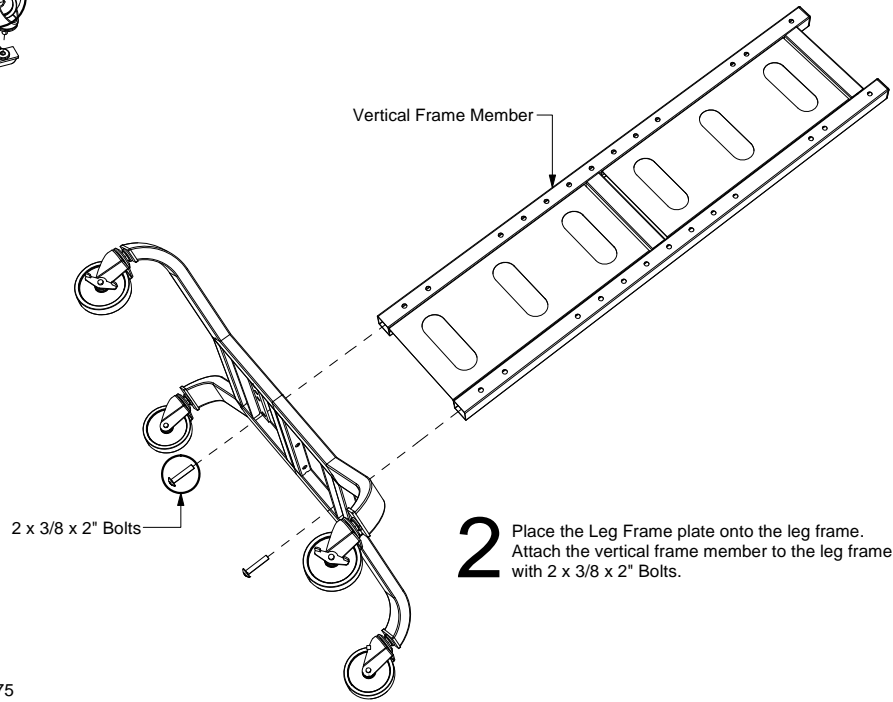
## Part List:

- 1 x Vertical Upper Bracket
- 1 x Leg Frame
- 2 x Lower Support Bracket
- 2 x Shelf Bracket
- 1 x Shelf
- 1 x Caster Set (2 w/ Brake)

## Hardware List:

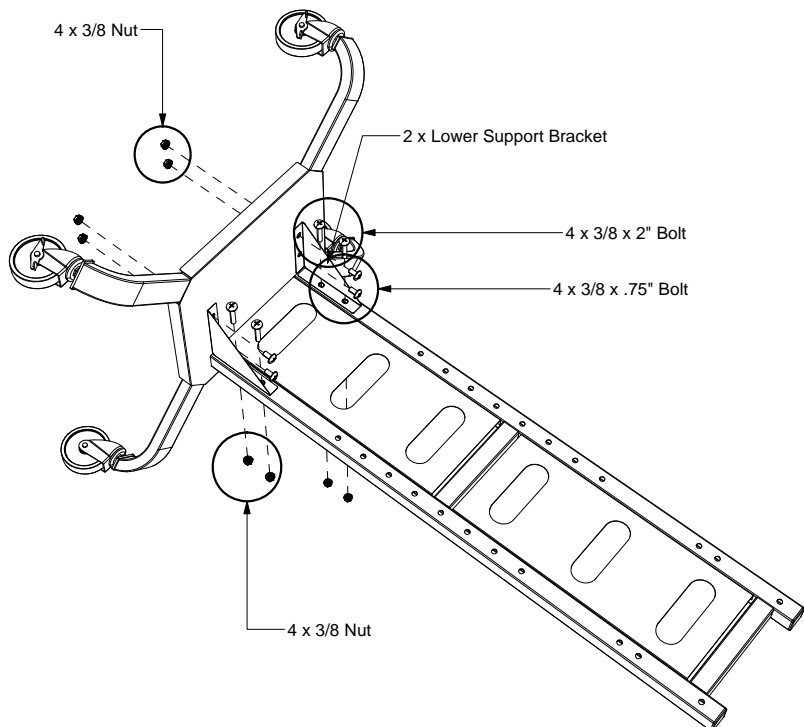
- 4 x 3/8 x .75" Bolts
- 14 x 3/8 x 2" Bolts
- 16 x 3/8 Nuts
- 4 x .5" Self Tapping Screws

**1** Attach the casters to the leg frame.

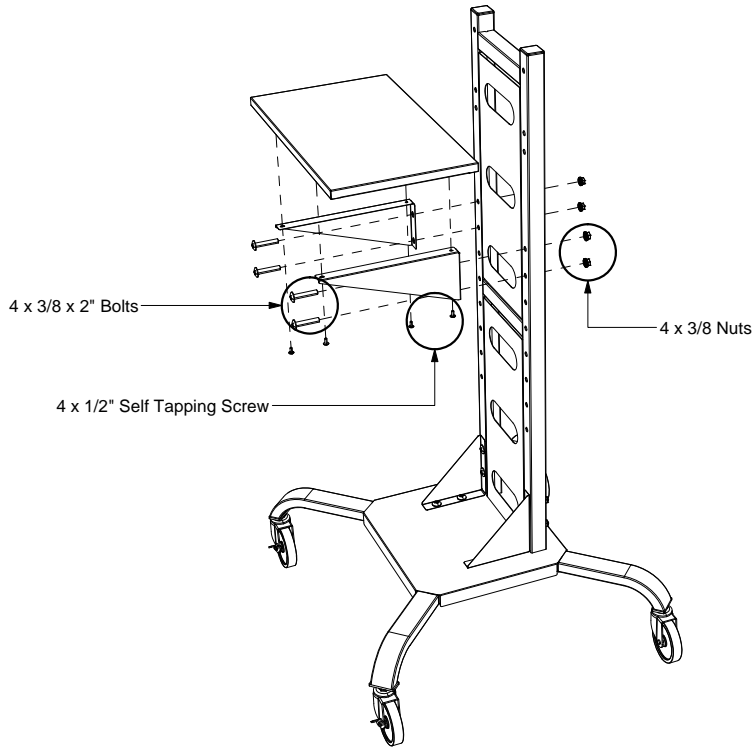


**2** Place the Leg Frame plate onto the leg frame. Attach the vertical frame member to the leg frame with 2 x 3/8 x 2" Bolts.

**3** Install the Lower Support Brackets with 4 x 3/8 x 2" Bolts and 4 x 3/8 Nuts to the vertical support member, and 4 x 3/8 x .75" and 4 x 3/8 Nuts to the leg frame.



**4** Attach the Shelf to the shelf brackets with 4 x Self Tapping Screws  
Attach the Shelf Assembly to the Vertical Support Member with 4 x 3/8 x 2" Bolts and 4 x 3/8 Nuts.



**5** Attach the WFST BRACKET to the assembled unit with 4 x 3/8 x 2" bolts and 4 x 3/8 Nuts.  
Follow the instructions included in the WFST Bracket box to mount the TV.

