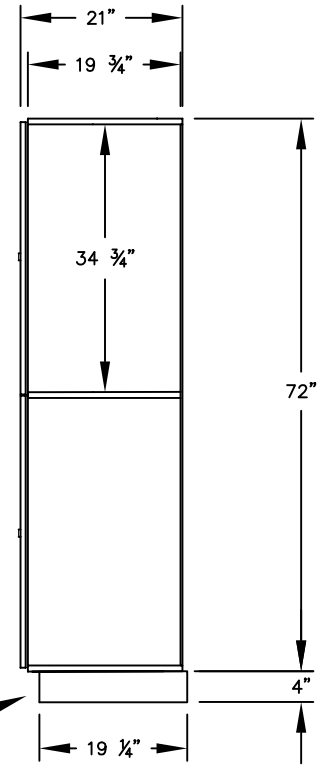


MODEL #12161
16" WIDE DOUBLE TIER SOLID OAK
EXECUTIVE WOOD LOCKER – 1 WIDE

(2) LOCKER COMPARTMENTS
 EACH COMPARTMENT:
 14-3/4" W x 34-3/4" H x 19-3/4" D

(NOTE: SOLID OAK EXECUTIVE
 LOCKER SHOWN WITHOUT SIDE
 PANEL OR CROWN MOLDING.
 PLEASE ORDER SEPARATELY.)

SIDE VIEW



(BASES ARE MADE OF INDUSTRIAL GRADE
 PARTICLEBOARD AND ARE COVERED IN A
 DURABLE BLACK LAMINATE. PLEASE SET
 BASE TO ALLOW 5/8" BETWEEN THE BACK OF
 THE LOCKER AND THE WALL FOR AIR
 VENTILATION.)

MODEL #12161

16" WIDE DOUBLE TIER
 SOLID OAK EXECUTIVE WOOD LOCKER
 SIX FEET HIGH (ADD 4" FOR BASE)

AVAILABLE FINISHES:
 LIGHT OAK, MEDIUM OAK OR DARK OAK

DRAWN: 3/2020

***Established in 1936, Salsbury Industries is the industry
 leader in manufacturing and distributing quality lockers.***

18300 CENTRAL AVENUE
 CARSON, CA 90746-4008
 PHONE: (800) 562-5377
 FAX: (800) 562-5399
 email: engineering@lockers.com