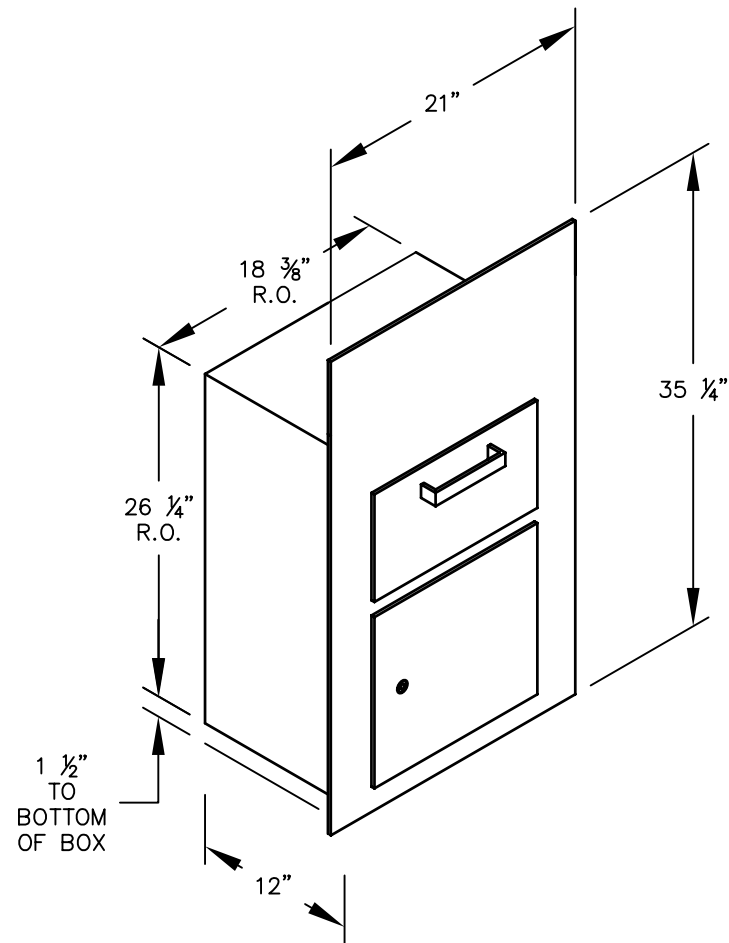


3600C6-FL  
6 DOOR HIGH COLLECTION  
UNIT FOR FRONT LOADING  
MAILBOX INSTALLATION



**MODEL #3600C6 - FL**  
6 DOOR HIGH COLLECTION UNIT

AVAILABLE COLORS:  
ALUMINUM, BRONZE, SANDSTONE

AVAILABLE FOR:  
USPS ACCESS OR PRIVATE ACCESS

DRAWN: 8/2020

***Established in 1936, Salsbury Industries is the industry  
leader in manufacturing and distributing quality mailboxes.***

18300 CENTRAL AVENUE  
CARSON, CA 90746-4008

PHONE: (800) 624-5269

FAX: (800) 624-5299

email: [engineering@mailboxes.com](mailto:engineering@mailboxes.com)