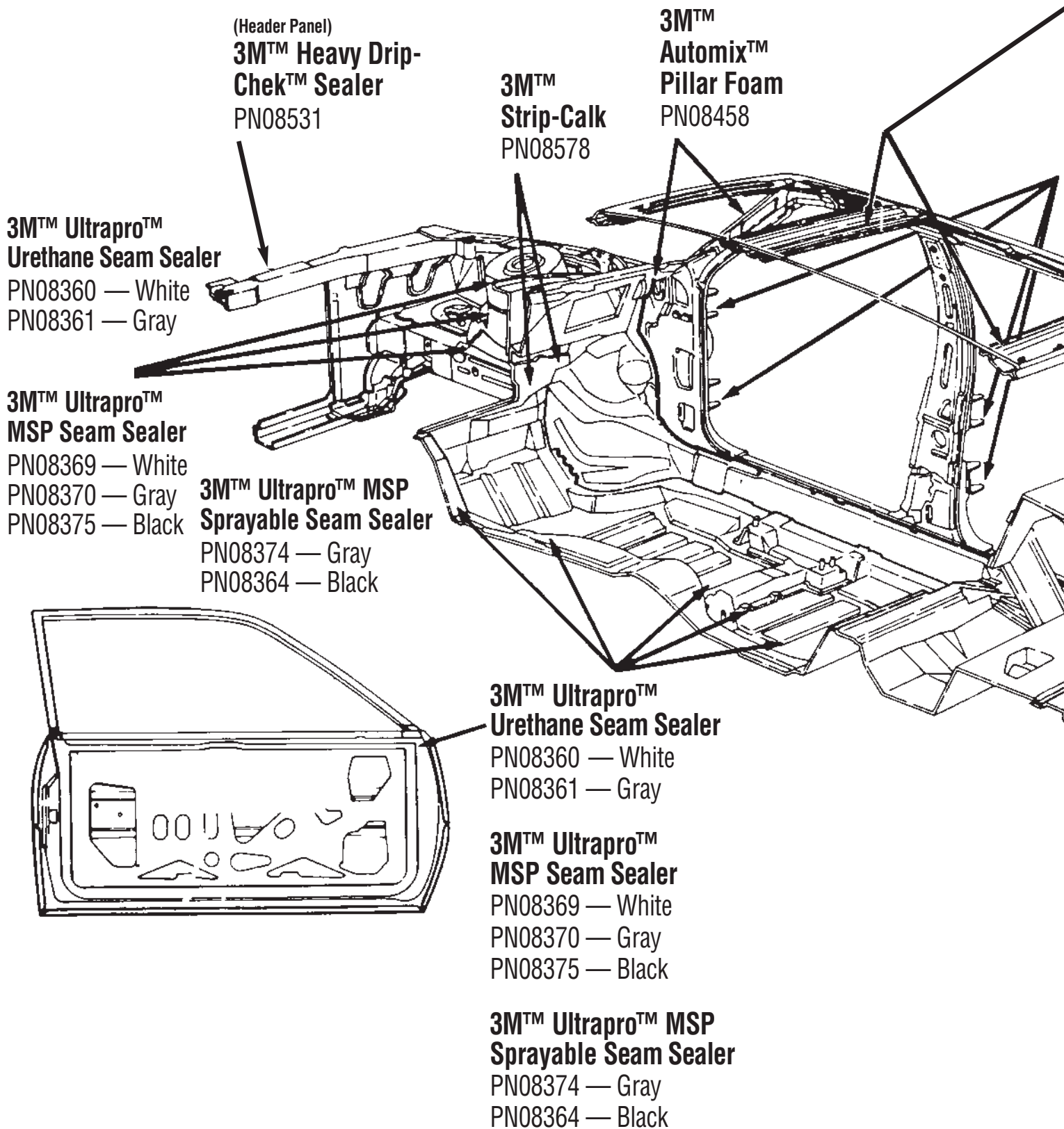


3M Sealants Application Guide

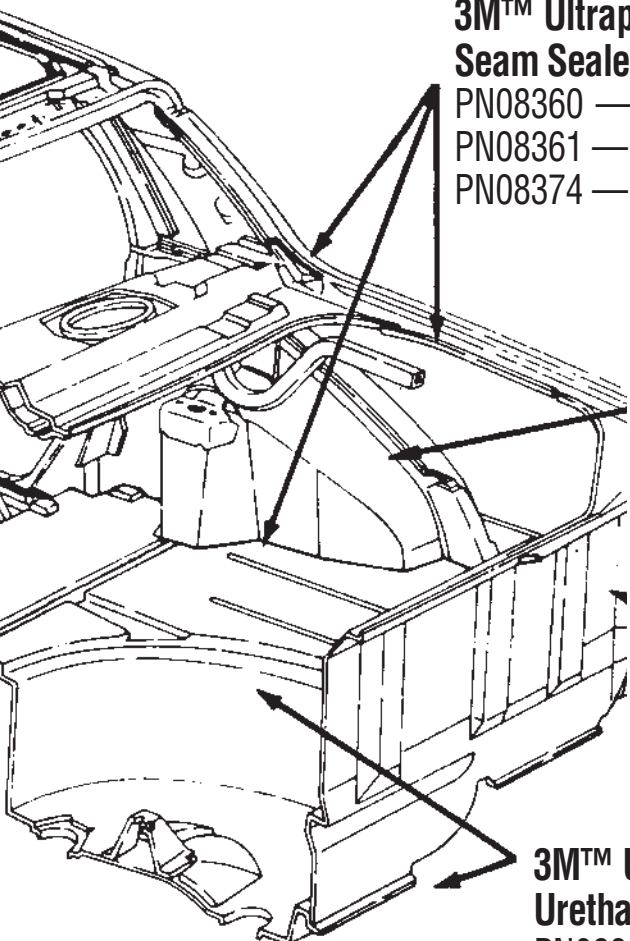


**3M™ Ultrapro™
Urethane Seam
Sealer**
PN08360 — White
PN08361 — Gray

**3M™ Ultrapro™
MSP Seam Sealer**
PN08369 — White
PN08370 — Gray
PN08375 — Black

**3M™ Ultrapro™
MSP Sprayable
Seam Sealer**
PN08374 — Gray
PN08364 — Black

3M™ Heavy Drip-Chek™ Sealer
PN08531



**3M™ Ultrapro™ Urethane
Seam Sealer**
PN08360 — White
PN08361 — Gray
PN08374 — Sprayable
Seam Sealer

**3M™ Automix™
Flexible Foam**
PN08463

(Taillight Extensions)
**3M™ Heavy
Drip-Chek™
Sealer**
PN08531

**3M™ Ultrapro™
Urethane Seam Sealer**
PN08360 — White
PN08361 — Gray

**3M™ Ultrapro™ MSP
Sprayable Seam Sealer**
PN08374 — Gray
PN08364 — Black

Basic Seam Sealers

- 3M™ Ultrapro™ MSP Seam Sealer**
(PN08369 — White)
(PN08370 — Gray)
(PN08375 — Black)
 - provides a fast method of seam sealing
 - non-shrinking, non-cracking
 - fast curing
 - tack-free = 30 minutes
 - immediately paintable for up to 72 hours
- 3M™ Ultrapro™ Urethane Seam Sealer**
(PN08360 — White 6/case)
(PN08361 — Gray 6/case)
 - easy to tool
 - stays flexible
 - paintable in 30 minutes
 - non-shrinking
 - can be baked immediately after painting
 - can be used in hood flutter and door intrusion beam repairs
 - Ford Aerostar™ and Explorer™ roof ditch repairs
 - duplicates OEM sealers
 - fills large voids without cracking
 - can be brushed
 Use with **3M™ Flexible Package Applicator Gun**
(PN08398 1/case)
- 3M™ Ultrapro™ Autobody Sealant (cartridge)**
(PN08300 — Tan 12/case)
 - fast skin over
 - easy to tool
 - stays flexible
 - paintable in 30 minutes
 Also available in: 5 oz. tube PN08301 — Tan (6/case)
5 oz. tube PN08302 — Clear (6/case)
Use with **3M™ Heavy-Duty Caulk Gun** (PN08995 1/case)
- 3M™ Heavy Drip-Chek™ Sealer (5 oz. tube)**
(PN08531 — Gray 6/case)
 - designed to seal but not fill
 - controlled shrinkage
 - retains original look on OEM seams
 - resists oil and gas
 - paintable in 30 minutes
- 3M™ Strip-Calk (box of 60 — 1 ft. strips)**
(PN08578 — Black 12 boxes/case)
 - easy application
 - stays soft and flexible
 - fills large voids and holes
 - no waste or cleanup

Specialty Seam Sealers

- Sprayable Seam Sealer — **3M™ Ultrapro™ MSP Sprayable Seam Sealer Cartridge** (PN08374 — Gray 6/case, PN08364 — Black 6/case) — Use with **Sprayable Seam Sealer Applicator Gun** (PN08400 1/case)
- Fast Skinning — **3M™ Ultrapro™ Autobody Sealant Cartridge** (PN08300 — Tan 12/case)
5 oz. Tube (PN08301 — Tan 6/case)
- 3M™ Fast 'n Firm™ Seam Sealer Cartridge** (PN08505 — Beige 12/case)
- Latex/Water-Based — **3M™ All-Around Autobody Sealant Cartridge** (PN08500 — White 12/case)
- Clear/Thin Bodied — **3M™ Clear Auto Sealer**
5 oz. Tube (PN08551 — Clear 6/case)
- Clear/Heavy Bodied — **3M™ Flexiclear™ Body Seam Sealer Cartridge** (PN08405 — Clear 12/case)
3M™ Ultrapro™ Autobody Sealant
5 oz. Tube (PN08302 — Clear 6/case)
- Expandable Foam — **3M™ Automix™ Pillar Foam** (PN08458)
Use with **3M™ Automix™ Flexible Foam** (PN08463)
Use with **MixPac® Applicator Gun** (PN08117)