



# Automotive Attachment Tape

## Part Numbers 06380 and 06381 (White)

Technical Data Sheet

July 2002

Supersedes Technical Data Sheet dated June 2000

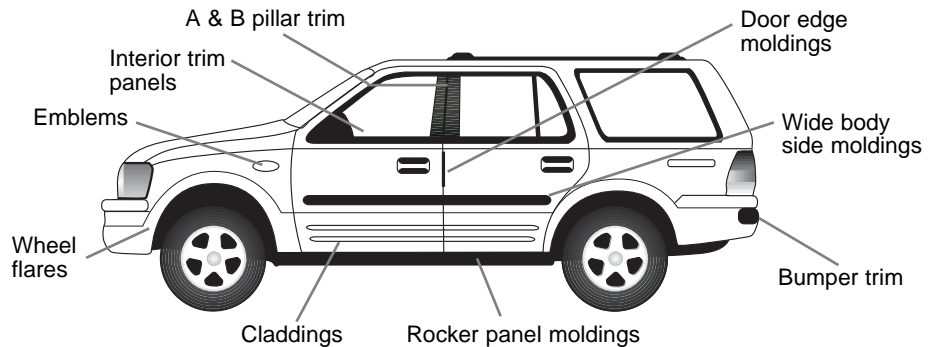
### General Description

3M™ Automotive Attachment Tapes 06380 and 06381 are .045-inch thick, medium-density, white closed-cell acrylic foam core with high performance adhesives on both sides. These tapes are OEM approved for the attachment of body side moldings, fascia nerf strips, bumper trim, claddings, rocker panel moldings and a wide variety of other automotive trim components.

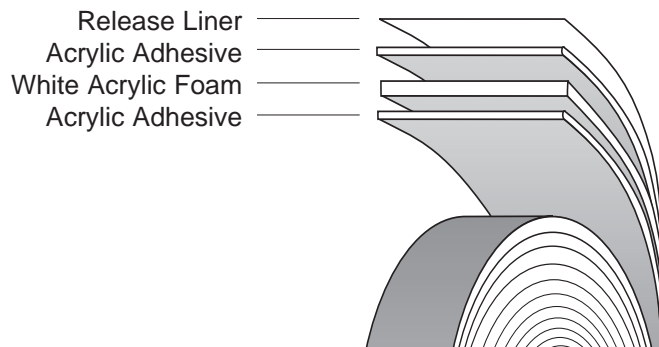
3M automotive attachment tape is characterized by high peel and shear adhesion, high internal strength, high conformability and excellent plasticizer resistance. The acrylic foam core has unique viscoelastic properties that allow it to elongate and relax when put under load, thereby minimizing stress on the adhesive bond line. This special property is known as stress relaxation.

Part numbers 06380 and 06381 are stronger, with higher stress relaxation properties than part numbers 06377 and 06378, making them more suitable for a broad range of automotive trim applications.

### Typical Applications



### Product Construction



# Technical Data Sheet 06380 and 06381

Page 2

## Physical Properties

|             |                    |
|-------------|--------------------|
| Foam        | White acrylic      |
| Liner color | Red                |
| Thickness   | .045 in. (1,14 mm) |
| Package     | Clam shell         |

## Ordering Information

| Part Number | Color | Size                             | Rolls Per Box | Boxes Per Case |
|-------------|-------|----------------------------------|---------------|----------------|
| 06380       | White | 1/2" x 20 yds (12,7 mm x 18,3 m) | 1             | 12             |
| 06381       | White | 7/8" x 20 yds (22,2 mm x 18,3 m) | 1             | 12             |

## Other Trim Attachment And Repair Products then

Please see your 3M catalog or consult your 3M representative for information about our complete line of automotive attachment tapes and adhesion promoter. Or you may visit us at [www.3M.com/automotive](http://www.3M.com/automotive), then click on "Product Catalog," "3M™ Tapes and Scotch® Tapes," and then "3M™ Automotive Attachment Tapes."

**IMPORTANT NOTICE:** All statements and technical information in this literature are based on tests 3M believes are reliable. 3M does not warrant or guarantee the accuracy or completeness of this information. 3M warrants that the products described in this literature will be free from defects in material or manufacture when shipped. 3M MAKES NO OTHER WARRANTIES REGARDING THESE PRODUCTS, EXPRESS OR IMPLIED, INCLUDING, BUT NOT LIMITED TO, ANY IMPLIED WARRANTY OF MERCHANTABILITY OR FITNESS FOR A PARTICULAR PURPOSE. Because there are many factors that can affect the use and performance of these products, some of which are uniquely within the user's knowledge and control, it is essential that the user evaluate these products to determine whether they are fit for a particular purpose, suitable for the user's method of application, and meet the user's performance specifications and expectations.

**Limitation of Remedies and Liability:** If any product described in this literature is defective, the exclusive remedy, at 3M's option, will be to refund the purchase price of or to replace the defective product. 3M IS NOT LIABLE FOR ANY OTHER LOSS OR DAMAGES, WHETHER DIRECT, INDIRECT, SPECIAL, INCIDENTAL OR CONSEQUENTIAL, ARISING OUT OF THE USE OF OR INABILITY TO USE THESE PRODUCTS REGARDLESS OF LEGAL THEORY.



### Automotive Aftermarket Division

3M Center, Building 223-6N-01  
St. Paul, MN 55144-1000  
[www.3M.com/automotive](http://www.3M.com/automotive)



Minimum 30% Post-Consumer Fiber  
Printed in U.S.A.  
© 3M 2002 75-3468-6478-0 2668-EMC C.I.C.



QS 9000  
File No. A2109