

**613 Pc. Master Mechanics Hand Tool Set** ■ *Continued from previous page*

Cat. No.	Description	Cat. No.	Description
80822	1/2" Drive 12 Point Deep Metric Socket 24mm	80436D	3/8" Drive Long Ball End Hex Bit SAE Socket 3/16"
80824	1/2" Drive 12 Point Deep Metric Socket 27mm	80437	3/8" Drive Long Ball End Hex Bit SAE Socket 7/32"
80826	1/2" Drive 12 Point Deep Metric Socket 30mm	80438	3/8" Drive Long Ball End Hex Bit SAE Socket 1/4"
80827	1/2" Drive 12 Point Deep Metric Socket 32mm	80439	3/8" Drive Long Ball End Hex Bit SAE Socket 5/16"
80151D	1/4" Drive Hex Bit SAE Socket 1/16"	80440	3/8" Drive Long Ball End Hex Bit SAE Socket 3/8"
80152	1/4" Drive Hex Bit SAE Socket 5/64"	80441	3/8" Drive Long Ball End Hex Bit Metric Socket 3mm
80153	1/4" Drive Hex Bit SAE Socket 3/32"	80442	3/8" Drive Long Ball End Hex Bit Metric Socket 4mm
80154	1/4" Drive Hex Bit SAE Socket 7/64"	80443	3/8" Drive Long Ball End Hex Bit Metric Socket 5mm
80155	1/4" Drive Hex Bit SAE Socket 1/8"	80444	3/8" Drive Long Ball End Hex Bit Metric Socket 6mm
80156	1/4" Drive Hex Bit SAE Socket 9/64"	80445	3/8" Drive Long Ball End Hex Bit Metric Socket 7mm
80157	1/4" Drive Hex Bit SAE Socket 5/32"	80446	3/8" Drive Long Ball End Hex Bit Metric Socket 8mm
80158	1/4" Drive Hex Bit SAE Socket 3/16"	80447	3/8" Drive Long Ball End Hex Bit Metric Socket 9mm
80159	1/4" Drive Hex Bit SAE Socket 7/32"	80448	3/8" Drive Long Ball End Hex Bit Metric Socket 10mm
80160	1/4" Drive Hex Bit SAE Socket 1/4"	80467	3/8" Drive Phillips® Bit Socket #1
80161	1/4" Drive Hex Bit Metric Socket 2mm	80468	3/8" Drive Phillips® Bit Socket #2
80162	1/4" Drive Hex Bit Metric Socket 2.5mm	80469	3/8" Drive Phillips® Bit Socket #3
80163	1/4" Drive Hex Bit Metric Socket 3mm	80464	3/8" Drive Slotted Bit Socket 4mm
80164	1/4" Drive Hex Bit Metric Socket 4mm	80465	3/8" Drive Slotted Bit Socket 5mm
80165	1/4" Drive Hex Bit Metric Socket 5mm	80466	3/8" Drive Slotted Bit Socket 6mm
80166	1/4" Drive Hex Bit Metric Socket 6mm	80470	3/8" Drive Pozidriv® Bit Socket #2
80410	3/8" Drive Hex Bit SAE Socket 1/16"	80651	1/2" Drive Hex Bit SAE Socket 5/16"
80411	3/8" Drive Hex Bit SAE Socket 5/64"	80652	1/2" Drive Hex Bit SAE Socket 3/8"
80412D	3/8" Drive Hex Bit SAE Socket 3/32"	80653	1/2" Drive Hex Bit SAE Socket 7/16"
80413	3/8" Drive Hex Bit SAE Socket 7/64"	80654	1/2" Drive Hex Bit SAE Socket 1/2"
80414	3/8" Drive Hex Bit SAE Socket 1/8"	80655	1/2" Drive Hex Bit SAE Socket 9/16"
80415D	3/8" Drive Hex Bit SAE Socket 9/64"	80656	1/2" Drive Hex Bit SAE Socket 5/8"
80416	3/8" Drive Hex Bit SAE Socket 5/32"	80657	1/2" Drive Hex Bit SAE Socket 3/4"
80417	3/8" Drive Hex Bit SAE Socket 3/16"	80658	1/2" Drive Hex Bit Metric Socket 6mm
80418	3/8" Drive Hex Bit SAE Socket 7/32"	80659	1/2" Drive Hex Bit Metric Socket 8mm
80419	3/8" Drive Hex Bit SAE Socket 1/4"	80660	1/2" Drive Hex Bit Metric Socket 10mm
80420	3/8" Drive Hex Bit SAE Socket 5/16"	80661	1/2" Drive Hex Bit Metric Socket 12mm
80421	3/8" Drive Hex Bit SAE Socket 3/8"	80662	1/2" Drive Hex Bit Metric Socket 14mm
80422	3/8" Drive Hex Bit Metric Socket 2mm	80663	1/2" Drive Hex Bit Metric Socket 17mm
80423	3/8" Drive Hex Bit Metric Socket 2.5mm	80664	1/2" Drive Hex Bit Metric Socket 19mm
80424	3/8" Drive Hex Bit Metric Socket 3mm	82063	10" Straight Jaw Tongue and Groove Pliers
80425	3/8" Drive Hex Bit Metric Socket 4mm	82065	12" Straight Jaw Tongue and Groove Pliers
80426	3/8" Drive Hex Bit Metric Socket 5mm	82069	8" Slip Joint Pliers
80427	3/8" Drive Hex Bit Metric Socket 6mm	82071	7" Heavy-Duty Diagonal Cutting Pliers
80428D	3/8" Drive Hex Bit Metric Socket 7mm	82073	7-1/2" Long Nose Side Cutting Pliers
80429	3/8" Drive Hex Bit Metric Socket 8mm	82075	8" Lineman's Side Cutting Pliers
80430	3/8" Drive Hex Bit Metric Socket 9mm	82076	7" End Cutting Nipper Pliers
80431	3/8" Drive Hex Bit Metric Socket 10mm	80000	Dual Material Phillips® Screwdriver #0 x 2-1/2"
80432	3/8" Drive Hex Bit Metric Socket 11mm	80001	Dual Material Phillips® Screwdriver #1 x 3"
80433	3/8" Drive Hex Bit Metric Socket 12mm	80004	Dual Material Phillips® Screwdriver #1 x 6"
80434	3/8" Drive Long Ball End Hex Bit SAE Socket 1/8"	80005	Dual Material Phillips® Screwdriver #2 x 1-1/2"
80435	3/8" Drive Long Ball End Hex Bit SAE Socket 5/32"	80007	Dual Material Phillips® Screwdriver #2 x 4"

Cat. No.	Description	Cat. No.	Description
80011	Dual Material Phillips® Screwdriver #3 x 6"	80014	Dual Material Slotted Screwdriver 1/4" x 6"
80018D	Dual Material Slotted Screwdriver 3/16" x 6"	80023	Dual Material Slotted Screwdriver 5/16" x 6"
80012D	Dual Material Slotted Screwdriver 1/4" x 1-1/2"	80022	Dual Material Slotted Screwdriver 3/8" x 8"
80013	Dual Material Slotted Screwdriver 1/4" x 4"		

**243 Pc. 1/4", 3/8", and 1/2" Drive 6 Point SAE/Metric Mechanics Tool Set**

- Full polish chrome SAE and metric 1/4, 3/8" and 1/2" standard sockets, and 1/4" and 3/8" deep sockets
- 84 tooth full polish chrome teardrop ratchets, with flush mounted on/off lever
- Contains 6 point full polish long pattern combination wrenches and sockets
- Combination wrenches feature a 15° offset box end for added knuckle clearance
- Sockets and wrenches feature off-corner loading design to reduce fastener rounding
- Universal joints provide additional access to hard to reach fasteners
- Magnetic bit driver with 30 bits including Torx®, hex, slotted and Phillips®
- Extension bars feature a knurled grip, providing a non slip surface
- 3-drawer storage box with independent sliding drawers, locking side flaps, a steel hinged lid and a durable handle
- Meets or exceeds ASME specifications



Cat. No.	Included Storage	Product Weight
80966	3 Drawer Storage Box	48.000 lb



Cat. No.	Description	Cat. No.	Description
81011F	1/4" Drive 84 Tooth Teardrop Ratchet 5"	80600D	1/2" Drive Universal Joint
81211F	3/8" Drive 84 Tooth Teardrop Ratchet 8-1/4"	81768	1/4" 6 Point Combination Wrench
81304F	1/2" Drive 84 Tooth Teardrop Ratchet 11"	81769	5/16" 6 Point Combination Wrench
82783	1/4" Magnetic Bit Holding Screwdriver Handle	81771	3/8" 6 Point Combination Wrench
81101	1/4" Drive Extension 2"	81772	7/16" 6 Point Combination Wrench
81113D	1/4" Drive Extension 3"	81773	1/2" 6 Point Combination Wrench
81114D	1/4" Drive Extension 4"	81774	9/16" 6 Point Combination Wrench
81116	1/4" Drive Extension 6"	81775	5/8" 6 Point Combination Wrench
81240	3/8" Drive Extension 1-1/2"	81776	11/16" 6 Point Combination Wrench
81241	3/8" Drive Extension 3"	81777	3/4" 6 Point Combination Wrench
81242	3/8" Drive Extension 6"	81754	6mm 6 Point Combination Wrench
81243	3/8" Drive Extension 10"	81755	7mm 6 Point Combination Wrench
81340	1/2" Drive Extension 3"	81756	8mm 6 Point Combination Wrench
81341	1/2" Drive Extension 5"	81757	9mm 6 Point Combination Wrench
81342	1/2" Drive Extension 10"	81758	10mm 6 Point Combination Wrench
80480	1/4" Bit Adapter 1/4" Drive	81759	11mm 6 Point Combination Wrench
81127	1/4" Drive 1/4" F x 3/8" M Adapter	81760D	12mm 6 Point Combination Wrench
81277	3/8" Drive 3/8" F x 1/4" M Adapter	81761	13mm 6 Point Combination Wrench
81278	3/8" Drive 3/8" F x 1/2" M Adapter	81762	14mm 6 Point Combination Wrench
81354	1/2" Drive 1/2" F x 3/8" M Adapter	81763	15mm 6 Point Combination Wrench
80100	1/4" Drive Universal Joint	81764	16mm 6 Point Combination Wrench
80549	3/8" Drive Universal Joint		

■ *Continued on next page*

### 11 Pc. 3/8" Drive SAE Crowfoot Wrench Set

- Allows access to fasteners in confined spaces where a wrench or socket will not fit
- Size markings are stamped on head for easy identification
- Bright, full polish chrome finish easily wipes clean and resists corrosion
- Included tray for storage and organization



SAE

Cat. No.	Included Storage	Product Weight
81908	Tray	1.98 lb

Cat. No.	Description	Cat. No.	Description
81603	3/8" Drive Crowfoot SAE Wrench 3/8"	81609	3/8" Drive Crowfoot SAE Wrench 3/4"
81604	3/8" Drive Crowfoot SAE Wrench 7/16"	81610	3/8" Drive Crowfoot SAE Wrench 13/16"
81605	3/8" Drive Crowfoot SAE Wrench 1/2"	81611D	3/8" Drive Crowfoot SAE Wrench 7/8"
81606	3/8" Drive Crowfoot Metric Wrench 9/16"	81612D	3/8" Drive Crowfoot SAE Wrench 15/16"
81607	3/8" Drive Crowfoot SAE Wrench 5/8"	81613	3/8" Drive Crowfoot SAE Wrench 1"
81608	3/8" Drive Crowfoot SAE Wrench 11/16"		

### 10 Pc. 3/8" Drive Metric Crowfoot Wrench Set

- Allows access to fasteners in confined spaces where a wrench or socket will not fit
- Size markings are stamped on head for easy identification
- Bright, full polish chrome finish easily wipes clean and resists corrosion
- Included tray for storage and organization



mm

Cat. No.	Included Storage	Product Weight
81909	Tray	1.43 lb

Cat. No.	Description	Cat. No.	Description
81614	3/8" Drive Crowfoot Metric Wrench 10mm	81619	3/8" Drive Crowfoot Metric Wrench 15mm
81615	3/8" Drive Crowfoot Metric Wrench 11mm	81620	3/8" Drive Crowfoot Metric Wrench 16mm
81616	3/8" Drive Crowfoot Metric Wrench 12mm	81621	3/8" Drive Crowfoot Metric Wrench 17mm
81617	3/8" Drive Crowfoot Metric Wrench 13mm	81622	3/8" Drive Crowfoot Metric Wrench 18mm
81618	3/8" Drive Crowfoot Metric Wrench 14mm	81623	3/8" Drive Crowfoot Metric Wrench 19mm

### 12 Pc. 3/8" Drive SAE Hex Bit Socket Set

- Heat treated for maximum durability
- Bits made of S2 steel for strength and durability
- Hard stamped size markings
- Bright, full polish chrome finish easily wipes clean and resists corrosion
- Includes socket rail for storage and organization
- Meets or exceeds ASME specifications



SAE

Cat. No.	Included Storage	Product Weight
80581	Socket Rail	1.44 lb

Cat. No.	Description	Cat. No.	Description
80410	3/8" Drive Hex Bit SAE Socket 1/16"	80416	3/8" Drive Hex Bit SAE Socket 5/32"
80411	3/8" Drive Hex Bit SAE Socket 5/64"	80417	3/8" Drive Hex Bit SAE Socket 3/16"
80412D	3/8" Drive Hex Bit SAE Socket 3/32"	80418	3/8" Drive Hex Bit SAE Socket 7/32"
80413	3/8" Drive Hex Bit SAE Socket 7/64"	80419	3/8" Drive Hex Bit SAE Socket 1/4"
80414	3/8" Drive Hex Bit SAE Socket 1/8"	80420	3/8" Drive Hex Bit SAE Socket 5/16"
80415D	3/8" Drive Hex Bit SAE Socket 9/64"	80421	3/8" Drive Hex Bit SAE Socket 3/8"

### 12 Pc. 3/8" Drive Metric Hex Bit Socket Set

- Heat treated for maximum durability
- Bits made of S2 steel for strength and durability
- Hard stamped size markings
- Bright, full polish chrome finish easily wipes clean and resists corrosion
- Includes socket rail for storage and organization
- Meets or exceeds ASME specifications



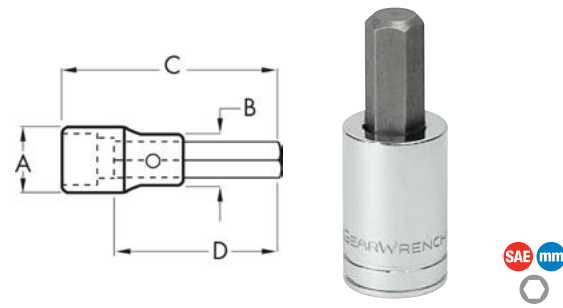
mm

Cat. No.	Included Storage	Product Weight
80580	Socket Rail	1.68 lb

Cat. No.	Description	Cat. No.	Description
80422	3/8" Drive Hex Bit Metric Socket 2mm	80428D	3/8" Drive Hex Bit Metric Socket 7mm
80423	3/8" Drive Hex Bit Metric Socket 2.5mm	80429	3/8" Drive Hex Bit Metric Socket 8mm
80424	3/8" Drive Hex Bit Metric Socket 3mm	80430	3/8" Drive Hex Bit Metric Socket 9mm
80425	3/8" Drive Hex Bit Metric Socket 4mm	80431	3/8" Drive Hex Bit Metric Socket 10mm
80426	3/8" Drive Hex Bit Metric Socket 5mm	80432	3/8" Drive Hex Bit Metric Socket 11mm
80427	3/8" Drive Hex Bit Metric Socket 6mm	80433	3/8" Drive Hex Bit Metric Socket 12mm

### 3/8" Drive Hex Bit Sockets

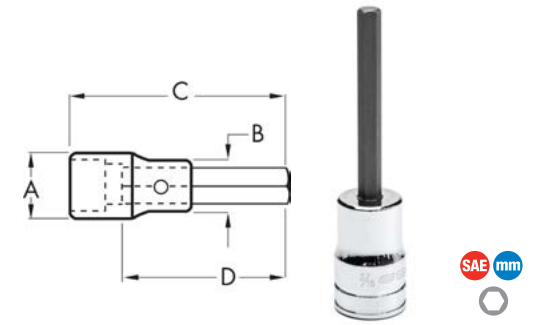
- Heat-treated socket base for durability
- S2 steel insert bits offer maximum strength
- Double line (SAE) and knurled (metric) ring help easily identify standard and metric sockets
- Hard stamped size markings
- Bright, full polish chrome finish easily wipes clean and resists corrosion
- Meets or exceeds ASME specifications



Cat. No.	SAE/Metric	Fastener Size	Dim. A: Drive End	Dim. B: Nose Diameter	Dim. C: Overall Length	Dim. D: Bit Length	Product Weight
80410	SAE	1/16 in	0.688 in	0.590 in	1.653 in	0.984 in	0.09 lb
80411	SAE	5/64 in	0.688 in	0.590 in	1.653 in	0.984 in	0.11 lb
80412D	SAE	3/32 in	0.688 in	0.590 in	1.653 in	0.984 in	0.13 lb
80413	SAE	7/64 in	0.688 in	0.590 in	1.653 in	0.984 in	0.13 lb
80414	SAE	1/8 in	0.688 in	0.590 in	1.653 in	0.984 in	0.13 lb
80415D	SAE	9/64 in	0.688 in	0.590 in	1.653 in	0.984 in	0.14 lb
80416	SAE	5/32 in	0.688 in	0.590 in	1.653 in	0.984 in	0.14 lb
80417	SAE	3/16 in	0.688 in	0.590 in	1.653 in	0.984 in	0.14 lb
80418	SAE	7/32 in	0.688 in	0.590 in	1.653 in	0.984 in	0.14 lb
80419	SAE	1/4 in	0.688 in	0.590 in	1.653 in	0.984 in	0.14 lb
80420	SAE	5/16 in	0.688 in	0.590 in	1.850 in	1.181 in	0.14 lb
80421	SAE	3/8 in	0.750 in	0.750 in	1.850 in	1.181 in	0.14 lb
80422	Metric	2 mm	0.688 in	0.590 in	1.653 in	0.984 in	0.15 lb
80423	Metric	2.5 mm	0.688 in	0.590 in	1.653 in	0.984 in	0.09 lb
80424	Metric	3 mm	0.688 in	0.590 in	1.653 in	0.984 in	0.11 lb
80425	Metric	4 mm	0.688 in	0.590 in	1.653 in	0.984 in	0.13 lb
80426	Metric	5 mm	0.688 in	0.590 in	1.653 in	0.984 in	0.13 lb
80427	Metric	6 mm	0.688 in	0.590 in	1.653 in	0.984 in	0.13 lb
80428D	Metric	7 mm	0.688 in	0.590 in	1.850 in	1.181 in	0.14 lb
80429	Metric	8 mm	0.688 in	0.590 in	1.850 in	1.181 in	0.14 lb
80430	Metric	9 mm	0.750 in	0.750 in	1.968 in	1.181 in	0.14 lb
80431	Metric	10 mm	0.750 in	0.750 in	1.968 in	1.181 in	0.14 lb
80432	Metric	11 mm	0.750 in	0.750 in	1.968 in	1.181 in	0.14 lb
80433	Metric	12 mm	0.750 in	0.750 in	1.968 in	1.181 in	0.14 lb

### 3/8" Drive Mid Length Hex Bit Sockets

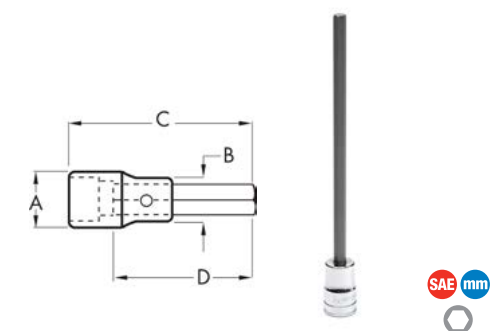
- Mid-length hex bit for additional access to hard-to-reach fasteners
- S2 steel insert bits offer maximum strength
- Heat-treated socket bases provide lasting durability
- Double line (SAE) and knurled (metric) ring help easily identify standard and metric sockets
- Hard stamped size markings
- Bright, full polish chrome finish easily wipes clean and resists corrosion
- Meets or exceeds ASME specifications



Cat. No.	SAE/Metric	Fastener Size	Dim. A: Drive End	Dim. B: Nose Diameter	Dim. C: Overall Length	Dim. D: Bit Length	Product Weight
82521	SAE	1/8 in	.67 in	.59 in	2.8 in	1.97 in	0.090 lb
82522	SAE	9/64 in	0.67 in	0.59 in	2.8 in	1.97 in	0.100 lb
82523	SAE	5/32 in	0.67 in	0.59 in	2.8 in	1.97 in	0.100 lb
82524	SAE	3/16 in	0.67 in	0.59 in	2.8 in	1.97 in	0.100 lb
82525	SAE	7/32 in	0.67 in	0.59 in	2.8 in	2.05 in	0.110 lb
82526	SAE	1/4 in	0.67 in	0.59 in	2.8 in	2.05 in	0.110 lb
82527	SAE	5/16 in	0.67 in	0.59 in	2.8 in	2.05 in	0.120 lb
82528	SAE	3/8 in	0.71 in	0.71 in	2.8 in	1.93 in	0.160 lb
82538	Metric	3 mm	0.67 in	0.59 in	2.8 in	1.97 in	0.090 lb
82539	Metric	4 mm	0.67 in	0.59 in	2.8 in	1.97 in	0.100 lb
82540	Metric	5 mm	0.67 in	0.59 in	2.8 in	1.97 in	0.100 lb
82541	Metric	6 mm	0.67 in	0.59 in	2.8 in	2.05 in	0.110 lb
82542	Metric	7 mm	0.67 in	0.59 in	2.8 in	2.05 in	0.120 lb
82543	Metric	8 mm	0.67 in	0.59 in	2.8 in	2.05 in	0.130 lb
82544	Metric	9 mm	0.71 in	0.71 in	2.8 in	1.93 in	0.160 lb
82545	Metric	10 mm	0.71 in	0.71 in	2.8 in	1.93 in	0.170 lb

### 3/8" Drive Long Length Hex Bit Sockets

- Long length hex bit for additional access to hard-to-reach fasteners
- S2 steel insert bits offer maximum strength
- Heat-treated socket bases provide lasting durability
- Double line (SAE) and knurled (metric) ring help easily identify standard and metric sockets
- Hard stamped size markings
- Bright, full polish chrome finish easily wipes clean and resists corrosion
- Meets or exceeds ASME specifications



Cat. No.	SAE/Metric	Fastener Size	Dim. A: Drive End	Dim. B: Nose Diameter	Dim. C: Overall Length	Dim. D: Bit Length	Product Weight
82530	SAE	1/8 in	0.67 in	0.59 in	6.14 in	5.31 in	0.130 lb
82531	SAE	5/32 in	0.67 in	0.59 in	6.14 in	5.31 in	0.130 lb
82532	SAE	3/16 in	0.67 in	0.59 in	6.14 in	5.31 in	0.130 lb
82533	SAE	7/32 in	0.67 in	0.59 in	6.14 in	5.39 in	0.140 lb
82534	SAE	1/4 in	0.67 in	0.59 in	6.14 in	5.39 in	0.160 lb
82535	SAE	5/16 in	0.67 in	0.59 in	6.14 in	5.39 in	0.210 lb

Continued on next page