

613 Pc. Master Mechanics Hand Tool Set ■ *Continued from previous page*

Cat. No.	Description	Cat. No.	Description
80822	1/2" Drive 12 Point Deep Metric Socket 24mm	80436D	3/8" Drive Long Ball End Hex Bit SAE Socket 3/16"
80824	1/2" Drive 12 Point Deep Metric Socket 27mm	80437	3/8" Drive Long Ball End Hex Bit SAE Socket 7/32"
80826	1/2" Drive 12 Point Deep Metric Socket 30mm	80438	3/8" Drive Long Ball End Hex Bit SAE Socket 1/4"
80827	1/2" Drive 12 Point Deep Metric Socket 32mm	80439	3/8" Drive Long Ball End Hex Bit SAE Socket 5/16"
80151D	1/4" Drive Hex Bit SAE Socket 1/16"	80440	3/8" Drive Long Ball End Hex Bit SAE Socket 3/8"
80152	1/4" Drive Hex Bit SAE Socket 5/64"	80441	3/8" Drive Long Ball End Hex Bit Metric Socket 3mm
80153	1/4" Drive Hex Bit SAE Socket 3/32"	80442	3/8" Drive Long Ball End Hex Bit Metric Socket 4mm
80154	1/4" Drive Hex Bit SAE Socket 7/64"	80443	3/8" Drive Long Ball End Hex Bit Metric Socket 5mm
80155	1/4" Drive Hex Bit SAE Socket 1/8"	80444	3/8" Drive Long Ball End Hex Bit Metric Socket 6mm
80156	1/4" Drive Hex Bit SAE Socket 9/64"	80445	3/8" Drive Long Ball End Hex Bit Metric Socket 7mm
80157	1/4" Drive Hex Bit SAE Socket 5/32"	80446	3/8" Drive Long Ball End Hex Bit Metric Socket 8mm
80158	1/4" Drive Hex Bit SAE Socket 3/16"	80447	3/8" Drive Long Ball End Hex Bit Metric Socket 9mm
80159	1/4" Drive Hex Bit SAE Socket 7/32"	80448	3/8" Drive Long Ball End Hex Bit Metric Socket 10mm
80160	1/4" Drive Hex Bit SAE Socket 1/4"	80467	3/8" Drive Phillips® Bit Socket #1
80161	1/4" Drive Hex Bit Metric Socket 2mm	80468	3/8" Drive Phillips® Bit Socket #2
80162	1/4" Drive Hex Bit Metric Socket 2.5mm	80469	3/8" Drive Phillips® Bit Socket #3
80163	1/4" Drive Hex Bit Metric Socket 3mm	80464	3/8" Drive Slotted Bit Socket 4mm
80164	1/4" Drive Hex Bit Metric Socket 4mm	80465	3/8" Drive Slotted Bit Socket 5mm
80165	1/4" Drive Hex Bit Metric Socket 5mm	80466	3/8" Drive Slotted Bit Socket 6mm
80166	1/4" Drive Hex Bit Metric Socket 6mm	80470	3/8" Drive Pozidriv® Bit Socket #2
80410	3/8" Drive Hex Bit SAE Socket 1/16"	80651	1/2" Drive Hex Bit SAE Socket 5/16"
80411	3/8" Drive Hex Bit SAE Socket 5/64"	80652	1/2" Drive Hex Bit SAE Socket 3/8"
80412D	3/8" Drive Hex Bit SAE Socket 3/32"	80653	1/2" Drive Hex Bit SAE Socket 7/16"
80413	3/8" Drive Hex Bit SAE Socket 7/64"	80654	1/2" Drive Hex Bit SAE Socket 1/2"
80414	3/8" Drive Hex Bit SAE Socket 1/8"	80655	1/2" Drive Hex Bit SAE Socket 9/16"
80415D	3/8" Drive Hex Bit SAE Socket 9/64"	80656	1/2" Drive Hex Bit SAE Socket 5/8"
80416	3/8" Drive Hex Bit SAE Socket 5/32"	80657	1/2" Drive Hex Bit SAE Socket 3/4"
80417	3/8" Drive Hex Bit SAE Socket 3/16"	80658	1/2" Drive Hex Bit Metric Socket 6mm
80418	3/8" Drive Hex Bit SAE Socket 7/32"	80659	1/2" Drive Hex Bit Metric Socket 8mm
80419	3/8" Drive Hex Bit SAE Socket 1/4"	80660	1/2" Drive Hex Bit Metric Socket 10mm
80420	3/8" Drive Hex Bit SAE Socket 5/16"	80661	1/2" Drive Hex Bit Metric Socket 12mm
80421	3/8" Drive Hex Bit SAE Socket 3/8"	80662	1/2" Drive Hex Bit Metric Socket 14mm
80422	3/8" Drive Hex Bit Metric Socket 2mm	80663	1/2" Drive Hex Bit Metric Socket 17mm
80423	3/8" Drive Hex Bit Metric Socket 2.5mm	80664	1/2" Drive Hex Bit Metric Socket 19mm
80424	3/8" Drive Hex Bit Metric Socket 3mm	82063	10" Straight Jaw Tongue and Groove Pliers
80425	3/8" Drive Hex Bit Metric Socket 4mm	82065	12" Straight Jaw Tongue and Groove Pliers
80426	3/8" Drive Hex Bit Metric Socket 5mm	82069	8" Slip Joint Pliers
80427	3/8" Drive Hex Bit Metric Socket 6mm	82071	7" Heavy-Duty Diagonal Cutting Pliers
80428D	3/8" Drive Hex Bit Metric Socket 7mm	82073	7-1/2" Long Nose Side Cutting Pliers
80429	3/8" Drive Hex Bit Metric Socket 8mm	82075	8" Lineman's Side Cutting Pliers
80430	3/8" Drive Hex Bit Metric Socket 9mm	82076	7" End Cutting Nipper Pliers
80431	3/8" Drive Hex Bit Metric Socket 10mm	80000	Dual Material Phillips® Screwdriver #0 x 2-1/2"
80432	3/8" Drive Hex Bit Metric Socket 11mm	80001	Dual Material Phillips® Screwdriver #1 x 3"
80433	3/8" Drive Hex Bit Metric Socket 12mm	80004	Dual Material Phillips® Screwdriver #1 x 6"
80434	3/8" Drive Long Ball End Hex Bit SAE Socket 1/8"	80005	Dual Material Phillips® Screwdriver #2 x 1-1/2"
80435	3/8" Drive Long Ball End Hex Bit SAE Socket 5/32"	80007	Dual Material Phillips® Screwdriver #2 x 4"

Cat. No.	Description	Cat. No.	Description
80011	Dual Material Phillips® Screwdriver #3 x 6"	80014	Dual Material Slotted Screwdriver 1/4" x 6"
80018D	Dual Material Slotted Screwdriver 3/16" x 6"	80023	Dual Material Slotted Screwdriver 5/16" x 6"
80012D	Dual Material Slotted Screwdriver 1/4" x 1-1/2"	80022	Dual Material Slotted Screwdriver 3/8" x 8"
80013	Dual Material Slotted Screwdriver 1/4" x 4"		

243 Pc. 1/4", 3/8", and 1/2" Drive 6 Point SAE/Metric Mechanics Tool Set

- Full polish chrome SAE and metric 1/4, 3/8" and 1/2" standard sockets, and 1/4" and 3/8" deep sockets
- 84 tooth full polish chrome teardrop ratchets, with flush mounted on/off lever
- Contains 6 point full polish long pattern combination wrenches and sockets
- Combination wrenches feature a 15° offset box end for added knuckle clearance
- Sockets and wrenches feature off-corner loading design to reduce fastener rounding
- Universal joints provide additional access to hard to reach fasteners
- Magnetic bit driver with 30 bits including Torx®, hex, slotted and Phillips®
- Extension bars feature a knurled grip, providing a non slip surface
- 3-drawer storage box with independent sliding drawers, locking side flaps, a steel hinged lid and a durable handle
- Meets or exceeds ASME specifications



Cat. No.	Included Storage	Product Weight
80966	3 Drawer Storage Box	48.000 lb



Cat. No.	Description	Cat. No.	Description
81011F	1/4" Drive 84 Tooth Teardrop Ratchet 5"	80600D	1/2" Drive Universal Joint
81211F	3/8" Drive 84 Tooth Teardrop Ratchet 8-1/4"	81768	1/4" 6 Point Combination Wrench
81304F	1/2" Drive 84 Tooth Teardrop Ratchet 11"	81769	5/16" 6 Point Combination Wrench
82783	1/4" Magnetic Bit Holding Screwdriver Handle	81771	3/8" 6 Point Combination Wrench
81101	1/4" Drive Extension 2"	81772	7/16" 6 Point Combination Wrench
81113D	1/4" Drive Extension 3"	81773	1/2" 6 Point Combination Wrench
81114D	1/4" Drive Extension 4"	81774	9/16" 6 Point Combination Wrench
81116	1/4" Drive Extension 6"	81775	5/8" 6 Point Combination Wrench
81240	3/8" Drive Extension 1-1/2"	81776	11/16" 6 Point Combination Wrench
81241	3/8" Drive Extension 3"	81777	3/4" 6 Point Combination Wrench
81242	3/8" Drive Extension 6"	81754	6mm 6 Point Combination Wrench
81243	3/8" Drive Extension 10"	81755	7mm 6 Point Combination Wrench
81340	1/2" Drive Extension 3"	81756	8mm 6 Point Combination Wrench
81341	1/2" Drive Extension 5"	81757	9mm 6 Point Combination Wrench
81342	1/2" Drive Extension 10"	81758	10mm 6 Point Combination Wrench
80480	1/4" Bit Adapter 1/4" Drive	81759	11mm 6 Point Combination Wrench
81127	1/4" Drive 1/4" F x 3/8" M Adapter	81760D	12mm 6 Point Combination Wrench
81277	3/8" Drive 3/8" F x 1/4" M Adapter	81761	13mm 6 Point Combination Wrench
81278	3/8" Drive 3/8" F x 1/2" M Adapter	81762	14mm 6 Point Combination Wrench
81354	1/2" Drive 1/2" F x 3/8" M Adapter	81763	15mm 6 Point Combination Wrench
80100	1/4" Drive Universal Joint	81764	16mm 6 Point Combination Wrench
80549	3/8" Drive Universal Joint		

■ *Continued on next page*

232 Pc. Mechanics Tool Set ■ *Continued from previous page*

Cat. No.	Description	Cat. No.	Description
80130	1/4" Drive 6 Point Standard Metric Socket 8mm	80385	3/8" Drive 6 Point Standard Metric Socket 17mm
80131D	1/4" Drive 6 Point Standard Metric Socket 9mm	80386	3/8" Drive 6 Point Standard Metric Socket 18mm
80132	1/4" Drive 6 Point Standard Metric Socket 10mm	80387	3/8" Drive 6 Point Standard Metric Socket 19mm
80133	1/4" Drive 6 Point Standard Metric Socket 11mm	80330	3/8" Drive 6 Point Standard Metric Socket 20mm
80134	1/4" Drive 6 Point Standard Metric Socket 12mm	80331	3/8" Drive 6 Point Standard Metric Socket 21mm
80135D	1/4" Drive 6 Point Standard Metric Socket 13mm	80332	3/8" Drive 6 Point Standard Metric Socket 22mm
80138	1/4" Drive 6 Point Deep Metric Socket 4mm	80391	3/8" Drive 6 Point Deep Metric Socket 9mm
80139	1/4" Drive 6 Point Deep Metric Socket 5mm	80392	3/8" Drive 6 Point Deep Metric Socket 10mm
80141	1/4" Drive 6 Point Deep Metric Socket 6mm	80393D	3/8" Drive 6 Point Deep Metric Socket 11mm
80142	1/4" Drive 6 Point Deep Metric Socket 7mm	80394D	3/8" Drive 6 Point Deep Metric Socket 12mm
80143	1/4" Drive 6 Point Deep Metric Socket 8mm	80395	3/8" Drive 6 Point Deep Metric Socket 13mm
80144	1/4" Drive 6 Point Deep Metric Socket 9mm	80396	3/8" Drive 6 Point Deep Metric Socket 14mm
80145	1/4" Drive 6 Point Deep Metric Socket 10mm	80397	3/8" Drive 6 Point Deep Metric Socket 15mm
80146D	1/4" Drive 6 Point Deep Metric Socket 11mm	80398	3/8" Drive 6 Point Deep Metric Socket 16mm
80147	1/4" Drive 6 Point Deep Metric Socket 12mm	80399	3/8" Drive 6 Point Deep Metric Socket 17mm
80148	1/4" Drive 6 Point Deep Metric Socket 13mm	80400	3/8" Drive 6 Point Deep Metric Socket 18mm
80149	1/4" Drive 6 Point Deep Metric Socket 14mm	80401	3/8" Drive 6 Point Deep Metric Socket 19mm
80350	3/8" Drive 6 Point Standard SAE Socket 1/4"	80484	3/8" Drive 12 Point Standard Metric Socket 8mm
80351	3/8" Drive 6 Point Standard SAE Socket 5/16"	80485	3/8" Drive 12 Point Standard Metric Socket 9mm
80352	3/8" Drive 6 Point Standard SAE Socket 3/8"	80486	3/8" Drive 12 Point Standard Metric Socket 10mm
80353	3/8" Drive 6 Point Standard SAE Socket 7/16"	80487	3/8" Drive 12 Point Standard Metric Socket 11mm
80354	3/8" Drive 6 Point Standard SAE Socket 1/2"	80488	3/8" Drive 12 Point Standard Metric Socket 12mm
80355	3/8" Drive 6 Point Standard SAE Socket 9/16"	80489	3/8" Drive 12 Point Standard Metric Socket 13mm
80356	3/8" Drive 6 Point Standard SAE Socket 5/8"	80490	3/8" Drive 12 Point Standard Metric Socket 14mm
80357	3/8" Drive 6 Point Standard SAE Socket 11/16"	80491	3/8" Drive 12 Point Standard Metric Socket 15mm
80358	3/8" Drive 6 Point Standard SAE Socket 3/4"	80492	3/8" Drive 12 Point Standard Metric Socket 16mm
80359	3/8" Drive 6 Point Standard SAE Socket 13/16"	80493	3/8" Drive 12 Point Standard Metric Socket 17mm
80360	3/8" Drive 6 Point Standard SAE Socket 7/8"	80494	3/8" Drive 12 Point Standard Metric Socket 18mm
80365	3/8" Drive 6 Point Deep SAE Socket 3/8"	80495	3/8" Drive 12 Point Standard Metric Socket 19mm
80366	3/8" Drive 6 Point Deep SAE Socket 7/16"	80172	1/4" Drive Torx® Bit Socket T10
80367	3/8" Drive 6 Point Deep SAE Socket 1/2"	80173	1/4" Drive Torx® Bit Socket T15
80368	3/8" Drive 6 Point Deep SAE Socket 9/16"	80182	1/4" Drive Tamper-Proof Torx® Bit Socket T20
80369	3/8" Drive 6 Point Deep SAE Socket 5/8"	80183	1/4" Drive Tamper-Proof Torx® Bit Socket T25
80370D	3/8" Drive 6 Point Deep SAE Socket 11/16"	80184	1/4" Drive Tamper-Proof Torx® Bit Socket T27
80371	3/8" Drive 6 Point Deep SAE Socket 3/4"	80185	1/4" Drive Tamper-Proof Torx® Bit Socket T30
80374	3/8" Drive 6 Point Standard Metric Socket 6mm	80187	1/4" Drive External Torx® Socket E5
80375	3/8" Drive 6 Point Standard Metric Socket 7mm	80188D	1/4" Drive External Torx® Socket E6
80376	3/8" Drive 6 Point Standard Metric Socket 8mm	80189	1/4" Drive External Torx® Socket E7
80377	3/8" Drive 6 Point Standard Metric Socket 9mm	80190	1/4" Drive External Torx® Socket E8
80378	3/8" Drive 6 Point Standard Metric Socket 10mm	80416	3/8" Drive Hex Bit SAE Socket 5/32"
80379	3/8" Drive 6 Point Standard Metric Socket 11mm	80417	3/8" Drive Hex Bit SAE Socket 3/16"
80380	3/8" Drive 6 Point Standard Metric Socket 12mm	80418	3/8" Drive Hex Bit SAE Socket 7/32"
80381	3/8" Drive 6 Point Standard Metric Socket 13mm	80419	3/8" Drive Hex Bit SAE Socket 1/4"
80382	3/8" Drive 6 Point Standard Metric Socket 14mm	80420	3/8" Drive Hex Bit SAE Socket 5/16"
80383	3/8" Drive 6 Point Standard Metric Socket 15mm	80421	3/8" Drive Hex Bit SAE Socket 3/8"
80384	3/8" Drive 6 Point Standard Metric Socket 16mm	80422	3/8" Drive Hex Bit Metric Socket 2mm

Cat. No.	Description	Cat. No.	Description
80423	3/8" Drive Hex Bit Metric Socket 2.5mm	80462	3/8" Drive External Torx® Socket E14
80424	3/8" Drive Hex Bit Metric Socket 3mm	80463	3/8" Drive External Torx® Socket E16
80425	3/8" Drive Hex Bit Metric Socket 4mm	80402	3/8" Drive 6 Point 2-1/2" Spark Plug Socket 5/8"
80426	3/8" Drive Hex Bit Metric Socket 5mm	-	3/16" Nutdriver Bit
80427	3/8" Drive Hex Bit Metric Socket 6mm	-	1/4" Nutdriver Bit
80428D	3/8" Drive Hex Bit Metric Socket 7mm	-	5/16" Nutdriver Bit
80429	3/8" Drive Hex Bit Metric Socket 8mm	-	11/32" Nutdriver Bit
80430	3/8" Drive Hex Bit Metric Socket 9mm	-	3/8" Nutdriver Bit
80431	3/8" Drive Hex Bit Metric Socket 10mm	-	7/16" Nutdriver Bit
80451	3/8" Drive Torx® Bit Socket T40	-	1/2" Nutdriver Bit
80452	3/8" Drive Torx® Bit Socket T45	-	5mm Nutdriver Bit
80453	3/8" Drive Torx® Bit Socket T47	-	6mm Nutdriver Bit
80454	3/8" Drive Torx® Bit Socket T50	-	7mm Nutdriver Bit
80455	3/8" Drive Torx® Bit Socket T55	-	8mm Nutdriver Bit
80460	3/8" Drive External Torx® Socket E10	-	9mm Nutdriver Bit
80461	3/8" Drive External Torx® Socket E12	-	10mm Nutdriver Bit
		-	11mm Nutdriver Bit

88 Pc. 1/4" and 3/8" Drive 6 and 12 Point SAE/Metric Mechanics Tool Set

- Full polish chrome 1/4" and 3/8" standard sockets
- 45 tooth quick release full polish chrome teardrop ratchets, with flush-mounted on/off lever
- Contains open end wrenches with full polish chrome finish
- Sockets feature off-corner loading design to reduce fastener rounding
- Includes long arm hex keys
- Magnetic bit driver with ergonomic dual material handle
- Extension bars feature a knurled grip, providing a non slip surface
- Includes blow mold case for storage and organization
- Meets or exceeds ASME specifications



Cat. No.	Included Storage	Product Weight
80930	Blow Mold Case	8.91 lb



Cat. No.	Description	Cat. No.	Description
81218	3/8" Drive 45 Tooth Quick Release Teardrop Ratchet 7-3/4"	80105	1/4" Drive 6 Point Standard SAE Socket 3/16"
81128	1/4" Drive Spinner Handle 7-3/4"	80106	1/4" Drive 6 Point Standard SAE Socket 7/32"
81241	3/8" Drive Extension 3"	80107	1/4" Drive 6 Point Standard SAE Socket 1/4"
81277	3/8" Drive 3/8" F x 1/4" M Adapter	80108	1/4" Drive 6 Point Standard SAE Socket 9/32"
56603G	13 Piece Long Arm SAE Hex Key Set	80109	1/4" Drive 6 Point Standard SAE Socket 5/16"
81794D	10 x 12mm Full Polish Open End Wrench	80110	1/4" Drive 6 Point Standard SAE Socket 11/32"
81796	12 x 14mm Full Polish Open End Wrench	80111	1/4" Drive 6 Point Standard SAE Socket 3/8"
81799	3/8" x 7/16" Full Polish Open End Wrench	80112	1/4" Drive 6 Point Standard SAE Socket 7/16"
81801	1/2" x 9/16" Full Polish Open End Wrench	80113D	1/4" Drive 6 Point Standard SAE Socket 1/2"
80104D	1/4" Drive 6 Point Standard SAE Socket 5/32"		

■ *Continued on next page*

84 Pc. 1/4", 3/8", and 1/2" Drive Hex and Torx® Bit Socket Set

Continued from previous page

Cat. No.	Description	Cat. No.	Description
-	1/4" Drive Tamper-Proof Torx® Bit Socket T10	-	3/8" Drive Long Ball Hex Bit Socket 9mm
-	1/4" Drive Tamper-Proof Torx® Bit Socket T15	-	3/8" Drive Long Ball Hex Bit Socket 10mm
-	1/4" Drive Tamper-Proof Torx® Bit Socket T20	-	3/8" Drive External Torx® Bit Socket E10
-	1/4" Drive Tamper-Proof Torx® Bit Socket T25	-	3/8" Drive External Torx® Bit Socket E12
-	1/4" Drive Tamper-Proof Torx® Bit Socket T27	-	3/8" Drive External Torx® Bit Socket E14
-	1/4" Drive Tamper-Proof Torx® Bit Socket T30	-	3/8" Drive External Torx® Bit Socket E16
-	3/8" Drive Hex Bit Socket 7/32"	-	3/8" Drive Tamper-Proof Torx® Bit Socket T40
-	3/8" Drive Hex Bit Socket, 1/4"	-	3/8" Drive Tamper-Proof Torx® Bit Socket T45
-	3/8" Drive Hex Bit Socket 5/16"	-	3/8" Drive Tamper-Proof Torx® Bit Socket T50
-	3/8" Drive Hex Bit Socket 3/8"	-	3/8" Drive Tamper-Proof Torx® Bit Socket T55
-	3/8" Drive Hex Bit Socket 6mm	-	1/2" Drive Hex Bit Socket 7/16"
-	3/8" Drive Hex Bit Socket 7mm	-	1/2" Drive Hex Bit Socket 1/2"
-	3/8" Drive Hex Bit Socket 8mm	-	1/2" Drive Hex Bit Socket 9/16"
-	3/8" Drive Hex Bit Socket 9mm	-	1/2" Drive Hex Bit Socket 5/8"
-	3/8" Drive Hex Bit Socket 10mm	-	1/2" Drive Hex Bit Socket 3/4"
-	3/8" Drive Torx® Bit Socket T30	-	1/2" Drive Hex Bit Socket 10mm
-	3/8" Drive Torx® Bit Socket T40	-	1/2" Drive Hex Bit Socket 12mm
-	3/8" Drive Torx® Bit Socket T45	-	1/2" Drive Hex Bit Socket 14mm
-	3/8" Drive Torx® Bit Socket T50	-	1/2" Drive Hex Bit Socket 17mm
-	3/8" Drive Torx® Bit Socket T55	-	1/2" Drive Hex Bit Socket 19mm
-	3/8" Drive Long Torx® Bit Socket T40	-	1/2" Drive Torx® Bit Socket, T50
-	3/8" Drive Long Torx® Bit Socket T45	-	1/2" Drive External Torx® Bit Socket E18
-	3/8" Drive Long Torx® Bit Socket T50	-	1/2" Drive External Torx® Bit Socket E20
-	3/8" Drive Long Ball Hex Bit Socket 4mm	-	1/2" Drive External Torx® Bit Socket E22
-	3/8" Drive Long Ball Hex Bit Socket 5mm	-	1/2" Drive External Torx® Bit Socket E24
-	3/8" Drive Long Ball Hex Bit Socket 6mm	-	1/2" Drive Tamper-Proof Torx® Bit Socket T60
-	3/8" Drive Long Ball Hex Bit Socket 7mm	-	
-	3/8" Drive Long Ball Hex Bit Socket 8mm	-	

36 Pc. 1/4", 3/8", and 1/2" Drive Hex and Torx® Bit Socket Set

- Heat treated for maximum durability
- Bits made of S2 steel for strength and durability
- Bright, full polish chrome finish easily wipes clean and resists corrosion
- Hard stamped size markings
- Includes socket rail for storage and organization
- Meets or exceeds ASME specifications



Cat. No.	Included Storage	Product Weight
80726	Blow Mold Case	3.86 lb



Cat. No.	Description	Cat. No.	Description
80172	1/4" Drive Torx® Bit Socket T10	80463	3/8" Drive External Torx® Socket E16
80173	1/4" Drive Torx® Bit Socket T15	80416	3/8" Drive Hex Bit SAE Socket 5/32"
80174	1/4" Drive Torx® Bit Socket T20	80417	3/8" Drive Hex Bit SAE Socket 3/16"
80175	1/4" Drive Torx® Bit Socket T25	80418	3/8" Drive Hex Bit SAE Socket 7/32"
80176D	1/4" Drive Torx® Bit Socket T27	80419	3/8" Drive Hex Bit SAE Socket 1/4"
80177D	1/4" Drive Torx® Bit Socket T30	80420	3/8" Drive Hex Bit SAE Socket 5/16"
80187	1/4" Drive External Torx® Socket E5	80421	3/8" Drive Hex Bit SAE Socket 3/8"
80188D	1/4" Drive External Torx® Socket E6	80422	3/8" Drive Hex Bit Metric Socket 2mm
80189	1/4" Drive External Torx® Socket E7	80423	3/8" Drive Hex Bit Metric Socket 2.5mm
80190	1/4" Drive External Torx® Socket E8	80424	3/8" Drive Hex Bit Metric Socket 3mm
80451	3/8" Drive Torx® Bit Socket T40	80425	3/8" Drive Hex Bit Metric Socket 4mm
80452	3/8" Drive Torx® Bit Socket T45	80426	3/8" Drive Hex Bit Metric Socket 5mm
80453	3/8" Drive Torx® Bit Socket T47	80427	3/8" Drive Hex Bit Metric Socket 6mm
80454	3/8" Drive Torx® Bit Socket T50	80428D	3/8" Drive Hex Bit Metric Socket 7mm
80455	3/8" Drive Torx® Bit Socket T55	80429	3/8" Drive Hex Bit Metric Socket 8mm
80460	3/8" Drive External Torx® Socket E10	80430	3/8" Drive Hex Bit Metric Socket 9mm
80461	3/8" Drive External Torx® Socket E12	80431	3/8" Drive Hex Bit Metric Socket 10mm
80462	3/8" Drive External Torx® Socket E14	80669D	1/2" Drive External Torx® Socket E18

10 Pc. 3/8" and 1/2" Drive SAE Hex Bit Socket Set

- Heat treated for maximum durability
- Bits made of S2 steel for strength and durability
- Bright, full polish chrome finish easily wipes clean and resists corrosion
- Hard stamped size markings
- Includes socket rail for storage and organization
- Meets or exceeds ASME specifications



Cat. No.	Included Storage	Product Weight
80579	Socket Rail	1.99 lb

Cat. No.	Description	Cat. No.	Description
80414	3/8" Drive Hex Bit SAE Socket 1/8"	80420	3/8" Drive Hex Bit SAE Socket 5/16"
80416	3/8" Drive Hex Bit SAE Socket 5/32"	80421	3/8" Drive Hex Bit SAE Socket 3/8"
80417	3/8" Drive Hex Bit SAE Socket 3/16"	80654	1/2" Drive Hex Bit SAE Socket 1/2"
80418	3/8" Drive Hex Bit SAE Socket 7/32"	80655	1/2" Drive Hex Bit SAE Socket 9/16"
80419	3/8" Drive Hex Bit SAE Socket 1/4"	80656	1/2" Drive Hex Bit SAE Socket 5/8"

10 Pc. 3/8" and 1/2" Drive Metric Hex Bit Socket Set

- Heat treated for maximum durability
- Bits made of S2 steel for strength and durability
- Bright, full polish chrome finish easily wipes clean and resists corrosion
- Hard stamped size markings
- Includes socket rail for storage and organization
- Meets or exceeds ASME specifications



Cat. No.	Included Storage	Product Weight
80578	Socket Rail	1.89 lb

Cat. No.	Description	Cat. No.	Description
80425	3/8" Drive Hex Bit Metric Socket 4mm	80430	3/8" Drive Hex Bit Metric Socket 9mm
80426	3/8" Drive Hex Bit Metric Socket 5mm	80431	3/8" Drive Hex Bit Metric Socket 10mm
80427	3/8" Drive Hex Bit Metric Socket 6mm	80661	1/2" Drive Hex Bit Metric Socket 12mm
80428D	3/8" Drive Hex Bit Metric Socket 7mm	80662	1/2" Drive Hex Bit Metric Socket 14mm
80429	3/8" Drive Hex Bit Metric Socket 8mm	80663	1/2" Drive Hex Bit Metric Socket 17mm

36 Pc. 1/4", 3/8", and 1/2" Drive Torx® Bit Socket Set

- Set contains Torx® bit sockets, external Torx® bit sockets, tamper proof Torx® bit sockets
- Large, hard stamped markings offer easy size identification
- Heat treated socket bases for durability
- Bright, full polish chrome finish easily wipes clean and resists corrosion
- Bits made of S2 steel for strength and durability
- Black oxide finish is corrosion resistant on External Torx® sockets
- For use with manual drive tools only
- Includes blow mold case for storage and organization



Cat. No.	Included Storage	Product Weight
80728	Blow Mold Case	3.640 lb

Cat. No.	Description	Cat. No.	Description
-	1/4" Drive Torx® Bit Socket T8	-	1/4" Drive External Torx® Bit Socket E7
-	1/4" Drive Torx® Bit Socket T10	-	1/4" Drive External Torx® Bit Socket E8
-	1/4" Drive Torx® Bit Socket T15	-	3/8" Drive Torx® Bit Socket T40
-	1/4" Drive Torx® Bit Socket T20	-	3/8" Drive Torx® Bit Socket T45
-	1/4" Drive Torx® Bit Socket T25	-	3/8" Drive Torx® Bit Socket T47
-	1/4" Drive Torx® Bit Socket T27	-	3/8" Drive Torx® Bit Socket T50
-	1/4" Drive Torx® Bit Socket T30	-	3/8" Drive Torx® Bit Socket T55
-	1/4" Drive Tamper-Proof Torx® Bit Socket T7	-	3/8" Drive Tamper-Proof Torx® Bit Socket T40
-	1/4" Drive Tamper-Proof Torx® Bit Socket T8	-	3/8" Drive Tamper-Proof Torx® Bit Socket T45
-	1/4" Drive Tamper-Proof Torx® Bit Socket T10	-	3/8" Drive Tamper-Proof Torx® Bit Socket T50
-	1/4" Drive Tamper-Proof Torx® Bit Socket T15	-	3/8" Drive Tamper-Proof Torx® Bit Socket T55
-	1/4" Drive Tamper-Proof Torx® Bit Socket T20	-	3/8" Drive External Torx® Bit Socket E10
-	1/4" Drive Tamper-Proof Torx® Bit Socket T25	-	3/8" Drive External Torx® Bit Socket E12
-	1/4" Drive Tamper-Proof Torx® Bit Socket T27	-	3/8" Drive External Torx® Bit Socket E14
-	1/4" Drive Tamper-Proof Torx® Bit Socket T30	-	3/8" Drive External Torx® Bit Socket E16
-	1/4" Drive External Torx® Bit Socket E4	-	1/2" Drive Torx® Bit Socket, T50
-	1/4" Drive External Torx® Bit Socket E5	-	1/2" Drive External Torx® Bit Socket E18
-	1/4" Drive External Torx® Bit Socket E6	-	1/2" Drive External Torx® Bit Socket E20

11 Pc. 3/8" Drive SAE Crowfoot Wrench Set

- Allows access to fasteners in confined spaces where a wrench or socket will not fit
- Size markings are stamped on head for easy identification
- Bright, full polish chrome finish easily wipes clean and resists corrosion
- Included tray for storage and organization



SAE

Cat. No.	Included Storage	Product Weight
81908	Tray	1.98 lb

Cat. No.	Description	Cat. No.	Description
81603	3/8" Drive Crowfoot SAE Wrench 3/8"	81609	3/8" Drive Crowfoot SAE Wrench 3/4"
81604	3/8" Drive Crowfoot SAE Wrench 7/16"	81610	3/8" Drive Crowfoot SAE Wrench 13/16"
81605	3/8" Drive Crowfoot SAE Wrench 1/2"	81611D	3/8" Drive Crowfoot SAE Wrench 7/8"
81606	3/8" Drive Crowfoot Metric Wrench 9/16"	81612D	3/8" Drive Crowfoot SAE Wrench 15/16"
81607	3/8" Drive Crowfoot SAE Wrench 5/8"	81613	3/8" Drive Crowfoot SAE Wrench 1"
81608	3/8" Drive Crowfoot SAE Wrench 11/16"		

10 Pc. 3/8" Drive Metric Crowfoot Wrench Set

- Allows access to fasteners in confined spaces where a wrench or socket will not fit
- Size markings are stamped on head for easy identification
- Bright, full polish chrome finish easily wipes clean and resists corrosion
- Included tray for storage and organization



mm

Cat. No.	Included Storage	Product Weight
81909	Tray	1.43 lb

Cat. No.	Description	Cat. No.	Description
81614	3/8" Drive Crowfoot Metric Wrench 10mm	81619	3/8" Drive Crowfoot Metric Wrench 15mm
81615	3/8" Drive Crowfoot Metric Wrench 11mm	81620	3/8" Drive Crowfoot Metric Wrench 16mm
81616	3/8" Drive Crowfoot Metric Wrench 12mm	81621	3/8" Drive Crowfoot Metric Wrench 17mm
81617	3/8" Drive Crowfoot Metric Wrench 13mm	81622	3/8" Drive Crowfoot Metric Wrench 18mm
81618	3/8" Drive Crowfoot Metric Wrench 14mm	81623	3/8" Drive Crowfoot Metric Wrench 19mm

12 Pc. 3/8" Drive SAE Hex Bit Socket Set

- Heat treated for maximum durability
- Bits made of S2 steel for strength and durability
- Hard stamped size markings
- Bright, full polish chrome finish easily wipes clean and resists corrosion
- Includes socket rail for storage and organization
- Meets or exceeds ASME specifications



SAE

Cat. No.	Included Storage	Product Weight
80581	Socket Rail	1.44 lb

Cat. No.	Description	Cat. No.	Description
80410	3/8" Drive Hex Bit SAE Socket 1/16"	80416	3/8" Drive Hex Bit SAE Socket 5/32"
80411	3/8" Drive Hex Bit SAE Socket 5/64"	80417	3/8" Drive Hex Bit SAE Socket 3/16"
80412D	3/8" Drive Hex Bit SAE Socket 3/32"	80418	3/8" Drive Hex Bit SAE Socket 7/32"
80413	3/8" Drive Hex Bit SAE Socket 7/64"	80419	3/8" Drive Hex Bit SAE Socket 1/4"
80414	3/8" Drive Hex Bit SAE Socket 1/8"	80420	3/8" Drive Hex Bit SAE Socket 5/16"
80415D	3/8" Drive Hex Bit SAE Socket 9/64"	80421	3/8" Drive Hex Bit SAE Socket 3/8"

12 Pc. 3/8" Drive Metric Hex Bit Socket Set

- Heat treated for maximum durability
- Bits made of S2 steel for strength and durability
- Hard stamped size markings
- Bright, full polish chrome finish easily wipes clean and resists corrosion
- Includes socket rail for storage and organization
- Meets or exceeds ASME specifications



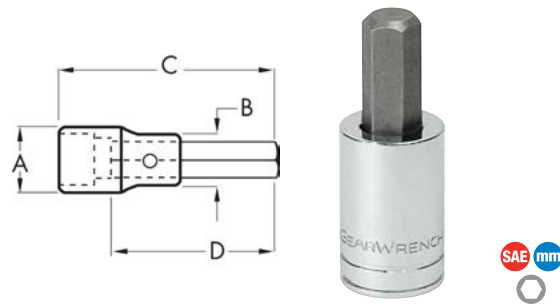
mm

Cat. No.	Included Storage	Product Weight
80580	Socket Rail	1.68 lb

Cat. No.	Description	Cat. No.	Description
80422	3/8" Drive Hex Bit Metric Socket 2mm	80428D	3/8" Drive Hex Bit Metric Socket 7mm
80423	3/8" Drive Hex Bit Metric Socket 2.5mm	80429	3/8" Drive Hex Bit Metric Socket 8mm
80424	3/8" Drive Hex Bit Metric Socket 3mm	80430	3/8" Drive Hex Bit Metric Socket 9mm
80425	3/8" Drive Hex Bit Metric Socket 4mm	80431	3/8" Drive Hex Bit Metric Socket 10mm
80426	3/8" Drive Hex Bit Metric Socket 5mm	80432	3/8" Drive Hex Bit Metric Socket 11mm
80427	3/8" Drive Hex Bit Metric Socket 6mm	80433	3/8" Drive Hex Bit Metric Socket 12mm

3/8" Drive Hex Bit Sockets

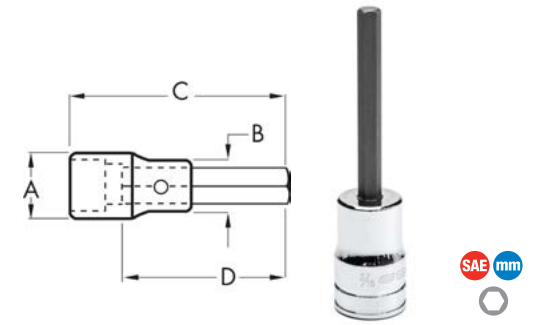
- Heat-treated socket base for durability
- S2 steel insert bits offer maximum strength
- Double line (SAE) and knurled (metric) ring help easily identify standard and metric sockets
- Hard stamped size markings
- Bright, full polish chrome finish easily wipes clean and resists corrosion
- Meets or exceeds ASME specifications



Cat. No.	SAE/Metric	Fastener Size	Dim. A: Drive End	Dim. B: Nose Diameter	Dim. C: Overall Length	Dim. D: Bit Length	Product Weight
80410	SAE	1/16 in	0.688 in	0.590 in	1.653 in	0.984 in	0.09 lb
80411	SAE	5/64 in	0.688 in	0.590 in	1.653 in	0.984 in	0.11 lb
80412D	SAE	3/32 in	0.688 in	0.590 in	1.653 in	0.984 in	0.13 lb
80413	SAE	7/64 in	0.688 in	0.590 in	1.653 in	0.984 in	0.13 lb
80414	SAE	1/8 in	0.688 in	0.590 in	1.653 in	0.984 in	0.13 lb
80415D	SAE	9/64 in	0.688 in	0.590 in	1.653 in	0.984 in	0.14 lb
80416	SAE	5/32 in	0.688 in	0.590 in	1.653 in	0.984 in	0.14 lb
80417	SAE	3/16 in	0.688 in	0.590 in	1.653 in	0.984 in	0.14 lb
80418	SAE	7/32 in	0.688 in	0.590 in	1.653 in	0.984 in	0.14 lb
80419	SAE	1/4 in	0.688 in	0.590 in	1.653 in	0.984 in	0.14 lb
80420	SAE	5/16 in	0.688 in	0.590 in	1.850 in	1.181 in	0.14 lb
80421	SAE	3/8 in	0.750 in	0.750 in	1.850 in	1.181 in	0.14 lb
80422	Metric	2 mm	0.688 in	0.590 in	1.653 in	0.984 in	0.15 lb
80423	Metric	2.5 mm	0.688 in	0.590 in	1.653 in	0.984 in	0.09 lb
80424	Metric	3 mm	0.688 in	0.590 in	1.653 in	0.984 in	0.11 lb
80425	Metric	4 mm	0.688 in	0.590 in	1.653 in	0.984 in	0.13 lb
80426	Metric	5 mm	0.688 in	0.590 in	1.653 in	0.984 in	0.13 lb
80427	Metric	6 mm	0.688 in	0.590 in	1.653 in	0.984 in	0.13 lb
80428D	Metric	7 mm	0.688 in	0.590 in	1.850 in	1.181 in	0.14 lb
80429	Metric	8 mm	0.688 in	0.590 in	1.850 in	1.181 in	0.14 lb
80430	Metric	9 mm	0.750 in	0.750 in	1.968 in	1.181 in	0.14 lb
80431	Metric	10 mm	0.750 in	0.750 in	1.968 in	1.181 in	0.14 lb
80432	Metric	11 mm	0.750 in	0.750 in	1.968 in	1.181 in	0.14 lb
80433	Metric	12 mm	0.750 in	0.750 in	1.968 in	1.181 in	0.14 lb

3/8" Drive Mid Length Hex Bit Sockets

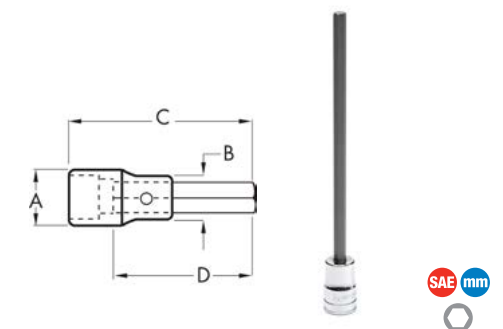
- Mid-length hex bit for additional access to hard-to-reach fasteners
- S2 steel insert bits offer maximum strength
- Heat-treated socket bases provide lasting durability
- Double line (SAE) and knurled (metric) ring help easily identify standard and metric sockets
- Hard stamped size markings
- Bright, full polish chrome finish easily wipes clean and resists corrosion
- Meets or exceeds ASME specifications



Cat. No.	SAE/Metric	Fastener Size	Dim. A: Drive End	Dim. B: Nose Diameter	Dim. C: Overall Length	Dim. D: Bit Length	Product Weight
82521	SAE	1/8 in	.67 in	.59 in	2.8 in	1.97 in	0.090 lb
82522	SAE	9/64 in	0.67 in	0.59 in	2.8 in	1.97 in	0.100 lb
82523	SAE	5/32 in	0.67 in	0.59 in	2.8 in	1.97 in	0.100 lb
82524	SAE	3/16 in	0.67 in	0.59 in	2.8 in	1.97 in	0.100 lb
82525	SAE	7/32 in	0.67 in	0.59 in	2.8 in	2.05 in	0.110 lb
82526	SAE	1/4 in	0.67 in	0.59 in	2.8 in	2.05 in	0.110 lb
82527	SAE	5/16 in	0.67 in	0.59 in	2.8 in	2.05 in	0.120 lb
82528	SAE	3/8 in	0.71 in	0.71 in	2.8 in	1.93 in	0.160 lb
82538	Metric	3 mm	0.67 in	0.59 in	2.8 in	1.97 in	0.090 lb
82539	Metric	4 mm	0.67 in	0.59 in	2.8 in	1.97 in	0.100 lb
82540	Metric	5 mm	0.67 in	0.59 in	2.8 in	1.97 in	0.100 lb
82541	Metric	6 mm	0.67 in	0.59 in	2.8 in	2.05 in	0.110 lb
82542	Metric	7 mm	0.67 in	0.59 in	2.8 in	2.05 in	0.120 lb
82543	Metric	8 mm	0.67 in	0.59 in	2.8 in	2.05 in	0.130 lb
82544	Metric	9 mm	0.71 in	0.71 in	2.8 in	1.93 in	0.160 lb
82545	Metric	10 mm	0.71 in	0.71 in	2.8 in	1.93 in	0.170 lb

3/8" Drive Long Length Hex Bit Sockets

- Long length hex bit for additional access to hard-to-reach fasteners
- S2 steel insert bits offer maximum strength
- Heat-treated socket bases provide lasting durability
- Double line (SAE) and knurled (metric) ring help easily identify standard and metric sockets
- Hard stamped size markings
- Bright, full polish chrome finish easily wipes clean and resists corrosion
- Meets or exceeds ASME specifications



Cat. No.	SAE/Metric	Fastener Size	Dim. A: Drive End	Dim. B: Nose Diameter	Dim. C: Overall Length	Dim. D: Bit Length	Product Weight
82530	SAE	1/8 in	0.67 in	0.59 in	6.14 in	5.31 in	0.130 lb
82531	SAE	5/32 in	0.67 in	0.59 in	6.14 in	5.31 in	0.130 lb
82532	SAE	3/16 in	0.67 in	0.59 in	6.14 in	5.31 in	0.130 lb
82533	SAE	7/32 in	0.67 in	0.59 in	6.14 in	5.39 in	0.140 lb
82534	SAE	1/4 in	0.67 in	0.59 in	6.14 in	5.39 in	0.160 lb
82535	SAE	5/16 in	0.67 in	0.59 in	6.14 in	5.39 in	0.210 lb

Continued on next page

General Mechanics Tool Kit

- Kit includes lifetime warranted GEARWRENCH tools
- Explorer Case is proven to function in environments from desert to arctic
- Removable drawers with foam inserts for tool control
- Rugged wheel construction and a wide wheelbase provide durability and stability
- Impact resistant - drop tested at 2.5 meters
- Waterproof - up to 1 meter for 30 minutes
- Exterior Dimensions 23" L x 15" W x 18" H



Cat. No.	Included Storage	Product Weight
GWSGMTK3	Explorer Case	110 lb

Cat. No.	Description	Cat. No.	Description
-	Top Tray A	80748D	1/2" Drive 12 Point Standard Metric Socket 13mm
9525ND	5/16" 12 Point Reversible Ratcheting Combination Wrench	80749	1/2" Drive 12 Point Standard Metric Socket 14mm
9526ND	3/8" 12 Point Reversible Ratcheting Combination Wrench	80750	1/2" Drive 12 Point Standard Metric Socket 15mm
9527N	7/16" 12 Point Reversible Ratcheting Combination Wrench	80751	1/2" Drive 12 Point Standard Metric Socket 16mm
9528N	1/2" 12 Point Reversible Ratcheting Combination Wrench	80752	1/2" Drive 12 Point Standard Metric Socket 17mm
9529N	9/16" 12 Point Reversible Ratcheting Combination Wrench	80753	1/2" Drive 12 Point Standard Metric Socket 18mm
9530ND	5/8" 12 Point Reversible Ratcheting Combination Wrench	80754	1/2" Drive 12 Point Standard Metric Socket 19mm
9531ND	11/16" 12 Point Reversible Ratcheting Combination Wrench	80756	1/2" Drive 12 Point Standard Metric Socket 21mm
9532N	3/4" 12 Point Reversible Ratcheting Combination Wrench	80757	1/2" Drive 12 Point Standard Metric Socket 22mm
9608N	8mm 12 Point Reversible Ratcheting Combination Wrench	80759	1/2" Drive 12 Point Standard Metric Socket 24mm
9609N	9mm 12 Point Reversible Ratcheting Combination Wrench	-	Safety Glasses
9610N	10mm 12 Point Reversible Ratcheting Combination Wrench	-	Top Tray B
9611N	11mm 12 Point Reversible Ratcheting Combination Wrench	81011T	1/4" Drive 90 Tooth Teardrop Ratchet 5"
9612N	12mm 12 Point Reversible Ratcheting Combination Wrench	81124	1/4" Drive Locking Extension 3"
9613N	13mm 12 Point Reversible Ratcheting Combination Wrench	81126	1/4" Drive Locking Extension 6"
9614N	14mm 12 Point Reversible Ratcheting Combination Wrench	81127	1/4" Drive 1/4" F x 3/8" M Adapter
9615N	15mm 12 Point Reversible Ratcheting Combination Wrench	81128	1/4" Drive Spinner Handle 7-3/4"
9616N	16mm 12 Point Reversible Ratcheting Combination Wrench	80100	1/4" Drive Universal Joint
9617N	17mm 12 Point Reversible Ratcheting Combination Wrench	80173	1/4" Drive Torx® Bit Socket T15
9618N	18mm 12 Point Reversible Ratcheting Combination Wrench	80175	1/4" Drive Torx® Bit Socket T25
9619N	19mm 12 Point Reversible Ratcheting Combination Wrench	80210	1/4" Drive 12 Point Standard SAE Socket 3/16"
80772	1/2" Drive 12 Point Deep SAE Socket 7/16"	80211	1/4" Drive 12 Point Standard SAE Socket 7/32"
80773	1/2" Drive 12 Point Deep SAE Socket 1/2"	80212	1/4" Drive 12 Point Standard SAE Socket 1/4"
80774	1/2" Drive 12 Point Deep SAE Socket 9/16"	80213	1/4" Drive 12 Point Standard SAE Socket 9/32"
80775	1/2" Drive 12 Point Deep SAE Socket 5/8"	80214	1/4" Drive 12 Point Standard SAE Socket 5/16"
80776	1/2" Drive 12 Point Deep SAE Socket 11/16"	80215D	1/4" Drive 12 Point Standard SAE Socket 11/32"
80777D	1/2" Drive 12 Point Deep SAE Socket 3/4"	80216	1/4" Drive 12 Point Standard SAE Socket 3/8"
80778	1/2" Drive 12 Point Deep SAE Socket 13/16"	80217	1/4" Drive 12 Point Standard SAE Socket 7/16"
80779	1/2" Drive 12 Point Deep SAE Socket 7/8"	80218	1/4" Drive 12 Point Standard SAE Socket 1/2"
80780	1/2" Drive 12 Point Deep SAE Socket 15/16"	80760	1/2" Drive 12 Point Standard SAE Socket 7/16"
80795	1/2" Drive 12 Point Deep SAE Socket 1"	80761	1/2" Drive 12 Point Standard SAE Socket 1/2"
80796	1/2" Drive 12 Point Deep SAE Socket 1-1/16"	80762	1/2" Drive 12 Point Standard SAE Socket 9/16"
80797	1/2" Drive 12 Point Deep SAE Socket 1-1/8"	80763	1/2" Drive 12 Point Standard SAE Socket 5/8"
80747	1/2" Drive 12 Point Standard Metric Socket 12mm	80764	1/2" Drive 12 Point Standard SAE Socket 11/16"

Cat. No.	Description	Cat. No.	Description
80765	1/2" Drive 12 Point Standard SAE Socket 3/4"	82071	7" Heavy-Duty Diagonal Cutting Pliers
80766	1/2" Drive 12 Point Standard SAE Socket 13/16"	82073	7-1/2" Long Nose Side Cutting Pliers
80767	1/2" Drive 12 Point Standard SAE Socket 7/8"	C10CVN	10" Curved Jaw Locking Plier With Wire Cutter
80768	1/2" Drive 12 Point Standard SAE Socket 15/16"	C6NVN	Long Nose Locking Plier
80769	1/2" Drive 12 Point Standard SAE Socket 1"	-	Drawer #3
80770	1/2" Drive 12 Point Standard SAE Socket 1-1/16"	81211T	3/8" Drive 90 Tooth Teardrop Ratchet 8"
80771	1/2" Drive 12 Point Standard SAE Socket 1-1/8"	81221	3/8" Drive Breaker Bar 12"
80793	1/2" Drive 12 Point Standard SAE Socket 1-3/16"	81239	3/8" Drive Speeder Handle 16-3/4"
80794	1/2" Drive 12 Point Standard SAE Socket 1-1/4"	81250	3/8" Drive Locking Extension 3"
80198	1/4" Drive 12 Point Standard Metric Socket 5mm	81251	3/8" Drive Locking Extension 6"
80200	1/4" Drive 12 Point Standard Metric Socket 6mm	80549	3/8" Drive Universal Joint
80201	1/4" Drive 12 Point Standard Metric Socket 7mm	80497D	3/8" Drive 12 Point Standard SAE Socket 5/16"
80202	1/4" Drive 12 Point Standard Metric Socket 8mm	80498	3/8" Drive 12 Point Standard SAE Socket 3/8"
80204	1/4" Drive 12 Point Standard Metric Socket 10mm	80499	3/8" Drive 12 Point Standard SAE Socket 7/16"
-	6" Machinist's Rule	80500D	3/8" Drive 12 Point Standard SAE Socket 1/2"
-	Multi-Tool	80501	3/8" Drive 12 Point Standard SAE Socket 9/16"
-	Sash & Trim Brush	80502	3/8" Drive 12 Point Standard SAE Socket 5/8"
83122	125 Lumen Rechargeable Penlight	80503	3/8" Drive 12 Point Standard SAE Socket 11/16"
PHV1012N	1/2" x 12" Hi-Viz® Orange P1000 Tape Measure	80504	3/8" Drive 12 Point Standard SAE Socket 3/4"
161D	32 Blade Deluxe SAE/Metric Feeler Gauge	80505	3/8" Drive 12 Point Standard SAE Socket 13/16"
1711D	18" Flexible Magnetic Pickup Tool	80506D	3/8" Drive 12 Point Standard SAE Socket 7/8"
2840D	1-1/4" Round Telescopic Magnifying Mirror with Pocket Clip	80512	3/8" Drive 12 Point Deep SAE Socket 7/16"
-	Drawer # 1	80513	3/8" Drive 12 Point Deep SAE Socket 1/2"
82200	18" Rolling Wedge Bar	80514	3/8" Drive 12 Point Deep SAE Socket 9/16"
82266	3/4" x 7" Cold Chisel	80515D	3/8" Drive 12 Point Deep SAE Socket 5/8"
82270	5/32" x 5" Center Punch	80516	3/8" Drive 12 Point Deep SAE Socket 11/16"
82273	1/8" x 5" Pin Punch	80517	3/8" Drive 12 Point Deep SAE Socket 3/4"
82276	1/4" x 7" Pin Punch	80416	3/8" Drive Hex Bit SAE Socket 5/32"
82277	5/16" x 7" Pin Punch	80417	3/8" Drive Hex Bit SAE Socket 3/16"
82280	3/16" x 9" Long Taper Punch	80418	3/8" Drive Hex Bit SAE Socket 7/32"
70-049G	3/8" x 8" Tool Steel Long Pin Punch	80419	3/8" Drive Hex Bit SAE Socket 1/4"
70-291G	3/4" x 8" Brass Drift Punch	80420	3/8" Drive Hex Bit SAE Socket 5/16"
70-293G	1/2" x 7" Brass Drift Punch	80421	3/8" Drive Hex Bit SAE Socket 3/8"
16102N	8" Three Square Smooth Cut	80451	3/8" Drive Torx® Bit Socket T40
21474U	Nicholson Universal Handle	80486	3/8" Drive 12 Point Standard Metric Socket 10mm
21839NN	10" Mill Single Cut Bastard File - Carded	80487	3/8" Drive 12 Point Standard Metric Socket 11mm
21853	8" Round Bastard Cut without Handle	81307	1/2" Drive Breaker Bar 15"
80969	10" Jab Saw	81348	1/2" Drive Locking Extension 3"
-	Putty Knife	81349	1/2" Drive Locking Extension 5"
-	Padlock	81350	1/2" Drive Locking Extension 10"
-	Drawer # 2	80600D	1/2" Drive Universal Joint
AC212BK	Adjustable Wrench	80654	1/2" Drive Hex Bit SAE Socket 1/2"
AC26BK	Adjustable Wrench	80655	1/2" Drive Hex Bit SAE Socket 9/16"
80005	Dual Material Phillips® Screwdriver #2 x 1-1/2"	80781	1/2" Drive 12 Point Deep Metric Socket 10mm
82706	1/4" x 4" Slotted Acetate Screwdriver	-	Drawer #4
82684	3/16" x 3" Slotted Orange Dual Material Screwdriver with Cabinet Tip	81737	7mm 12 Point Long Pattern Combination Wrench
82063	10" Straight Jaw Tongue and Groove Pliers	81665	8mm 12 Point Long Pattern Combination Wrench
82068	6-1/2" Slip Joint Pliers		

■ continued on next page