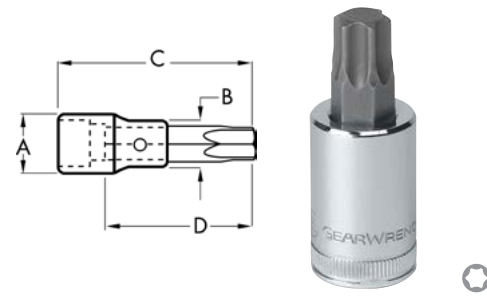


1/2" Drive Torx® Bit Sockets

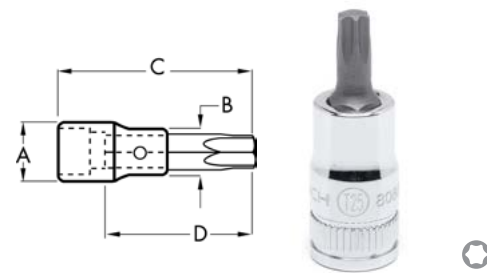
- Heat-treated socket base for durability
- S2 steel insert bits offer maximum strength
- Double line (SAE) and knurled (metric) ring help easily identify standard and metric sockets
- Hard stamped size markings
- Bright, full polish chrome finish easily wipes clean and resists corrosion
- Meets or exceeds ASME specifications



Cat. No.	Fastener Size	Dim. A: Drive End	Dim. B: Nose Diameter	Dim. C: Overall Length	Dim. D: Bit Length	Product Weight
80667	T60	0.944 in	0.944 in	2.48 in	1.49 in	0.30 lb

1/2" Drive Stubby Torx® Bit Sockets

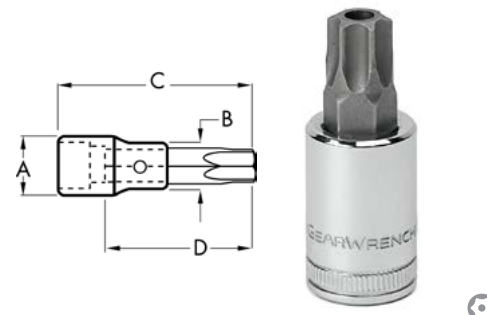
- Reduced overall bit length provides better access in tight spaces
- Heat-treated socket base for durability
- S2 steel insert bits offer maximum strength
- Hard stamped size markings
- Bright, full polish chrome finish easily wipes clean and resists corrosion
- Meets or exceeds ASME specifications



Cat. No.	Fastener Size	Dim. A: Drive End	Dim. B: Nose Diameter	Dim. C: Overall Length	Dim. D: Bit Length	Product Weight
80894	T55	0.858 in	0.700 in	2.15 in	1.181 in	0.16 lb
80896	T60	0.937 in	0.817 in	2.15 in	1.181 in	0.16 lb

1/2" Drive Tamper Proof Torx® Bit Sockets

- Heat-treated socket base for durability
- S2 steel insert bits offer maximum strength
- Double line (SAE) and knurled (metric) ring help easily identify standard and metric sockets
- Hard stamped size markings
- Bright, full polish chrome finish easily wipes clean and resists corrosion
- Meets or exceeds ASME specifications



Cat. No.	Fastener Size	Dim. A: Drive End	Dim. B: Nose Diameter	Dim. C: Overall Length	Dim. D: Bit Length	Product Weight
80668	T60	0.944 in	0.944 in	2.48 in	1.49 in	0.30 lb

1/2" Drive External Torx® Sockets

- For use with external torx fasteners
- Black oxide finish is corrosion resistant
- Heat treated socket for durability
- Hard stamped size markings
- For use with manual drive tools only



Cat. No.	Fastener Size	Dim. A: Drive End	Dim. B: Nose Diameter	Dim. C: Overall Length	Product Weight
80669D	E18	0.944 in	0.944 in	1.5 in	0.30 lb
80670	E20	0.944 in	0.944 in	1.75 in	0.34 lb
80672	E22	1.125 in	1.125 in	2 in	0.36 lb
80673	E24	1.125 in	1.125 in	2 in	0.38 lb

27 Pc. 3/4" Drive 12 Point SAE Mechanics Tool Set

- 24 tooth full polish chrome quick-release ratchet
- Full polish chrome sockets with large hard-stamped size markings
- Knurled full polish chrome extensions
- Sockets feature off-corner loading design to reduce fastener rounding
- Includes metal box for storage and organization
- Meets or exceeds ASME specifications



Cat. No.	Included Storage	Product Weight
80880	Metal Box	26.40 lb

Cat. No.	Description	Cat. No.	Description
81400	3/4" Drive 24 Tooth Quick Release Teardrop Ratchet 19-3/4"	80841	3/4" Drive 12 Point Standard SAE Socket 1-3/8"
81404	3/4" Drive Breaker Bar 19"	80852	3/4" Drive 12 Point Standard SAE Socket 1-7/16"
81401	3/4" Drive Sliding T Handle 18"	80854	3/4" Drive 12 Point Standard SAE Socket 1-1/2"
81411	3/4" Drive Extension 5"	80855D	3/4" Drive 12 Point Standard SAE Socket 1-5/8"
81412	3/4" Drive Extension 8"	80856	3/4" Drive 12 Point Standard SAE Socket 1-11/16"
81413	3/4" Drive Extension 16"	80857	3/4" Drive 12 Point Standard SAE Socket 1-3/4"
80830	3/4" Drive 12 Point Standard SAE Socket 7/8"	80859	3/4" Drive 12 Point Standard SAE Socket 1-13/16"
80831	3/4" Drive 12 Point Standard SAE Socket 15/16"	80860	3/4" Drive 12 Point Standard SAE Socket 1-7/8"
80833	3/4" Drive 12 Point Standard SAE Socket 1"	80861	3/4" Drive 12 Point Standard SAE Socket 2"
80834	3/4" Drive 12 Point Standard SAE Socket 1-1/16"	80862	3/4" Drive 12 Point Standard SAE Socket 2-1/8"
80835D	3/4" Drive 12 Point Standard SAE Socket 1-1/8"	80863	3/4" Drive 12 Point Standard SAE Socket 2-3/16"
80838	3/4" Drive 12 Point Standard SAE Socket 1-3/16"	80864	3/4" Drive 12 Point Standard SAE Socket 2-1/4"
80839	3/4" Drive 12 Point Standard SAE Socket 1-1/4"	80865	3/4" Drive 12 Point Standard SAE Socket 2-3/8"
80840	3/4" Drive 12 Point Standard SAE Socket 1-5/16"		

13 Pc. 3/4" Drive 12 Point SAE Mechanics Tool Set

- 24 tooth full polish chrome quick-release ratchet
- Full polish chrome sockets with large hard-stamped size markings
- Knurled full polish chrome extensions
- Sockets feature off-corner loading design to reduce fastener rounding
- Includes metal box for storage and organization
- Meets or exceeds ASME specifications



Cat. No.	Included Storage	Product Weight
80879	Metal Box	18.8 lb

Cat. No.	Description	Cat. No.	Description
81400	3/4" Drive 24 Tooth Quick Release Teardrop Ratchet 19-3/4"	80838	3/4" Drive 12 Point Standard SAE Socket 1-3/16"
81412	3/4" Drive Extension 8"	80839	3/4" Drive 12 Point Standard SAE Socket 1-1/4"
80830	3/4" Drive 12 Point Standard SAE Socket 7/8"	80840	3/4" Drive 12 Point Standard SAE Socket 1-5/16"
80831	3/4" Drive 12 Point Standard SAE Socket 15/16"	80841	3/4" Drive 12 Point Standard SAE Socket 1-3/8"
80833	3/4" Drive 12 Point Standard SAE Socket 1"	80852	3/4" Drive 12 Point Standard SAE Socket 1-7/16"
80834	3/4" Drive 12 Point Standard SAE Socket 1-1/16"	80854	3/4" Drive 12 Point Standard SAE Socket 1-1/2"
80835D	3/4" Drive 12 Point Standard SAE Socket 1-1/8"		

3/4" Drive 24 Tooth Quick Release Teardrop Ratchet

- 24 tooth teardrop shaped head with on/off switch allow even more access in tight spaces
- Quick release design allows for rapid socket removal
- Bright, full polish chrome finish easily wipes clean and resists corrosion
- Meets or exceeds ASME specifications



Cat. No.	Overall Length	Head Width	Head Thickness	Tooth Count	Repair Kit	Product Weight
81400	19.75 in	2.5 in	1.34 in	24	81499	5.20 lb

3/4" Drive 24 Tooth Quick Release Replacement Head

- 24 tooth teardrop shaped head with on/off switch allow even more access in tight spaces
- Quick release design allows for rapid socket removal
- Bright, full polish chrome finish easily wipes clean and resists corrosion
- Meets or exceeds ASME specifications



Cat. No.	Overall Length	Head Width	Head Thickness	Fits Product Number	Tooth Count	Repair Kit	Product Weight
81402	6.1 in	2.5 in	1.34 in	81403	24	81499	2.74 lb

3/4" Drive Knurled Chrome Replacement Handle

- For use with 81402, 3/4" drive ratchet head
- Detent pin secures handle to ratchet head
- Knurled handle for improved grip
- Bright, full polish chrome finish easily wipes clean and resists corrosion



Cat. No.	Overall Length	Fits Product Number	Product Weight
81403	36 in	81400 81402	6 lb

3/4" Drive 43 Tooth Round Head Ratchet

- 43 tooth reversing gear
- 20" long handle for improved reach, leverage and torque
- Drop-forged, single-piece design
- Features a knurled grip, providing a non slip surface
- Round-shaped head
- Bright, full polish chrome finish easily wipes clean and resists corrosion
- Ball detent for secure socket retention
- Meets or exceeds ASME specifications



Cat. No.	Overall Length	Head Width	Head Thickness	Tooth Count	Product Weight
88800	19.685 in	2.717 in	2.283 in	43	4.980 lb

3/4" Drive Quick Release Ratchet Repair Kit

- For non-quick release and non-ROTO ratchets



Cat. No.	Description	Fits Product Number	Tooth Count	Product Weight
81499	3/4" Drive Ratchet Repair Kit	81400 81402	24	1.075 lb