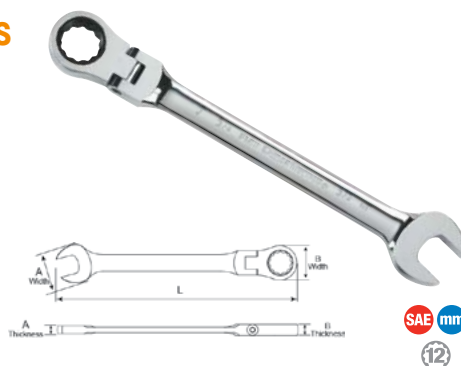


12 Point Flex Combination Ratcheting Wrenches

- 72 tooth ratcheting box end needs a minimal 5° to move fasteners vs. 30° for standard wrenches
- Off-corner loading design on box end provides better grip and reduces fastener rounding
- Thin head and beam provide greater access in confined work areas
- Flexible head provides access to hard-to-reach bolts and fasteners
- Size conveniently stamped on both ends of the beam for quick identification
- Manufactured from alloy steel for better strength and longer tool life
- Bright, full polish chrome finish easily wipes clean and resists corrosion
- Meets or exceeds ASME and ANSI specifications



Cat. No.	SAE/Metric	Fastener Size	End A Width	End A Thickness	End B Width	End B Thickness	Overall Length	Product Weight
9705	SAE	5/16 in	0.768 in	0.197 in	0.665 in	0.272 in	5.508 in	0.12 lb
9704D	SAE	11/32 in	0.768 in	0.213 in	0.701 in	0.272 in	5.882 in	0.14 lb
9706	SAE	3/8 in	0.862 in	0.224 in	0.78 in	0.303 in	6.252 in	0.16 lb
9707	SAE	7/16 in	0.953 in	0.252 in	0.854 in	0.323 in	6.504 in	0.18 lb
9708	SAE	1/2 in	1.146 in	0.319 in	0.984 in	0.339 in	7.004 in	0.23 lb
9709	SAE	9/16 in	1.228 in	0.327 in	1.035 in	0.37 in	7.504 in	0.26 lb
9710	SAE	5/8 in	1.358 in	0.346 in	1.201 in	0.406 in	8.197 in	0.37 lb
9711	SAE	11/16 in	1.492 in	0.362 in	1.272 in	0.421 in	8.878 in	0.55 lb
9712	SAE	3/4 in	1.626 in	0.374 in	1.339 in	0.441 in	9.764 in	0.86 lb
9713	SAE	13/16 in	1.811 in	0.39 in	1.535 in	0.512 in	11.476 in	1.00 lb
9714D	SAE	7/8 in	1.811 in	0.39 in	1.535 in	0.512 in	11.476 in	1.14 lb
9715D	SAE	15/16 in	2.055 in	0.429 in	1.791 in	0.571 in	13.114 in	1.29 lb
9716D	SAE	1 in	2.055 in	0.429 in	1.791 in	0.571 in	13.114 in	1.32 lb
9908D	Metric	8 mm	0.768 in	0.197 in	0.665 in	0.272 in	5.508 in	0.12 lb
9909D	Metric	9 mm	0.768 in	0.213 in	0.701 in	0.272 in	5.882 in	0.13 lb
9910D	Metric	10 mm	0.862 in	0.224 in	0.78 in	0.303 in	6.252 in	0.14 lb
9911D	Metric	11 mm	0.953 in	0.252 in	0.854 in	0.323 in	6.504 in	0.16 lb
9912D	Metric	12 mm	1.047 in	0.291 in	0.906 in	0.339 in	6.756 in	0.19 lb
9913D	Metric	13 mm	1.146 in	0.319 in	0.984 in	0.339 in	7.004 in	0.22 lb
9914D	Metric	14 mm	1.228 in	0.327 in	1.035 in	0.37 in	7.504 in	0.27 lb
9915D	Metric	15 mm	1.327 in	0.327 in	1.13 in	0.39 in	7.854 in	0.31 lb
9916D	Metric	16 mm	1.358 in	0.346 in	1.201 in	0.406 in	8.197 in	0.36 lb
9917	Metric	17 mm	1.492 in	0.362 in	1.272 in	0.421 in	8.878 in	0.43 lb
9918	Metric	18 mm	1.583 in	0.37 in	1.307 in	0.441 in	9.315 in	0.51 lb
9919D	Metric	19 mm	1.626 in	0.374 in	1.339 in	0.441 in	9.764 in	0.57 lb
9921D	Metric	21 mm	1.811 in	0.39 in	1.535 in	0.512 in	11.476 in	0.99 lb
9922D	Metric	22 mm	1.811 in	0.39 in	1.535 in	0.512 in	11.476 in	0.98 lb
9924D	Metric	24 mm	2.055 in	0.429 in	1.791 in	0.571 in	13.114 in	1.38 lb
9925D	Metric	25 mm	2.055 in	0.429 in	1.791 in	0.571 in	14 in	1.36 lb

7 Pc. 12 Point SAE Stubby Flex Combination Ratcheting Wrench Set

- 72 tooth ratcheting box end needs a minimal 5° to move fasteners vs. 30° for standard wrenches
- Off-corner loading design on box end provides better grip and reduces fastener rounding
- Flexible head provides access to hard-to-reach bolts and fasteners
- Thin head and beam provide greater access in confined work areas
- Stubby beam length for when clearance is limited
- Manufactured from alloy steel for better strength and longer tool life
- Bright, full polish chrome finish easily wipes clean and resists corrosion
- Meets or exceeds ASME and ANSI specifications
- Included tray for storage and organization



Cat. No.	Included Storage	Product Weight
9570	Tray	2.20 lb

Cat. No.	Description	Cat. No.	Description
9571	3/8" 12 Point Stubby Flex Ratcheting Combination Wrench	9575	5/8" 12 Point Stubby Flex Ratcheting Combination Wrench
9572	7/16" 12 Point Stubby Flex Ratcheting Combination Wrench	9576	11/16" 12 Point Stubby Flex Ratcheting Combination Wrench
9573	1/2" 12 Point Stubby Flex Ratcheting Combination Wrench	9577	3/4" 12 Point Stubby Flex Ratcheting Combination Wrench
9574	9/16" 12 Point Stubby Flex Ratcheting Combination Wrench		

10 Pc. 12 Point Metric Stubby Flex Combination Ratcheting Wrench Set

- 72 tooth ratcheting box end needs a minimal 5° to move fasteners vs. 30° for standard wrenches
- Off-corner loading design on box end provides better grip and reduces fastener rounding
- Flexible head provides access to hard-to-reach bolts and fasteners
- Thin head and beam provide greater access in confined work areas
- Stubby beam length for when clearance is limited
- Manufactured from alloy steel for better strength and longer tool life
- Bright, full polish chrome finish easily wipes clean and resists corrosion
- Meets or exceeds ASME and ANSI specifications
- Included tray for storage and organization



Cat. No.	Included Storage	Product Weight
9550	Tray	2.91 lb

Cat. No.	Description	Cat. No.	Description
9551	10mm 12 Point Stubby Flex Ratcheting Combination Wrench	9556	15mm 12 Point Stubby Flex Ratcheting Combination Wrench
9552	11mm 12 Point Stubby Flex Ratcheting Combination Wrench	9557D	16mm 12 Point Stubby Flex Ratcheting Combination Wrench
9553D	12mm 12 Point Stubby Flex Ratcheting Combination Wrench	9558	17mm 12 Point Stubby Flex Ratcheting Combination Wrench
9554	13mm 12 Point Stubby Flex Ratcheting Combination Wrench	9559	18mm 12 Point Stubby Flex Ratcheting Combination Wrench
9555	14mm 12 Point Stubby Flex Ratcheting Combination Wrench	9560	19mm 12 Point Stubby Flex Ratcheting Combination Wrench

12 Point Stubby Flex Combination Ratcheting Wrenches

- 72 tooth ratcheting box end needs a minimal 5° to move fasteners vs. 30° for standard wrenches
- Off-corner loading design on box end provides better grip and reduces fastener rounding
- Flexible head provides access to hard-to-reach bolts and fasteners
- Thin head and beam provide greater access in confined work areas
- Stubby beam length for when clearance is limited
- Manufactured from alloy steel for better strength and longer tool life
- Bright, full polish chrome finish easily wipes clean and resists corrosion
- Meets or exceeds ASME and ANSI specifications



Cat. No.	SAE/Metric	Fastener Size	End A Width	End A Thickness	End B Width	End B Thickness	Overall Length	Product Weight
9571	SAE	3/8 in	0.862 in	0.224 in	0.78 in	0.303 in	3.701 in	0.10 lb
9572	SAE	7/16 in	0.953 in	0.252 in	0.854 in	0.323 in	4.016 in	0.20 lb
9573	SAE	1/2 in	1.146 in	0.319 in	0.984 in	0.339 in	4.213 in	0.20 lb
9574	SAE	9/16 in	1.228 in	0.327 in	1.035 in	0.37 in	4.488 in	0.20 lb
9575	SAE	5/8 in	1.358 in	0.346 in	1.201 in	0.406 in	4.803 in	0.30 lb
9576	SAE	11/16 in	1.492 in	0.362 in	1.272 in	0.421 in	4.961 in	0.40 lb
9577	SAE	3/4 in	1.626 in	0.374 in	1.339 in	0.441 in	5.433 in	0.40 lb
9551	Metric	10 mm	0.862 in	0.224 in	0.78 in	0.303 in	3.701 in	0.11 lb
9552	Metric	11 mm	0.953 in	0.252 in	0.854 in	0.323 in	4.016 in	0.12 lb
9553D	Metric	12 mm	1.047 in	0.291 in	0.906 in	0.339 in	4.134 in	0.15 lb
9554	Metric	13 mm	1.146 in	0.319 in	0.984 in	0.339 in	4.213 in	0.17 lb
9555	Metric	14 mm	1.228 in	0.327 in	1.035 in	0.37 in	4.488 in	0.21 lb
9556	Metric	15 mm	1.327 in	0.327 in	1.13 in	0.39 in	4.646 in	0.24 lb
9557D	Metric	16 mm	1.358 in	0.346 in	1.201 in	0.406 in	4.803 in	0.27 lb
9558	Metric	17 mm	1.492 in	0.362 in	1.272 in	0.421 in	4.961 in	0.32 lb
9559	Metric	18 mm	1.583 in	0.37 in	1.307 in	0.441 in	5.118 in	0.37 lb
9560	Metric	19 mm	1.626 in	0.374 in	1.339 in	0.441 in	5.433 in	0.41 lb

9 Pc. 12 Point SAE XL X-Beam™ Flex Combination Ratcheting Wrench Set

- 72 tooth ratcheting box end needs a minimal 5° to move fasteners vs. 30° for standard wrenches
- X-Beam™ design lets you apply force to the flat side of the wrench, reducing hand fatigue
- Longer beam provides greater access to confined work areas vs. standard length wrenches
- Off-corner loading design on box end provides better grip and reduces fastener rounding
- One piece forged beam design with no weak spots for twisting
- Flexible head provides access to hard-to-reach bolts and fasteners
- Manufactured from alloy steel for better strength and longer tool life
- Bright, full polish chrome finish easily wipes clean and resists corrosion
- Included tray for storage and organization



Cat. No.	Included Storage	Product Weight
85298	Tray	3.93 lb

Cat. No.	Description	Cat. No.	Description
85270	5/16" 12 Point XL X-Beam™ Flex Head Ratcheting Combination Wrench	85278	9/16" 12 Point XL X-Beam™ Flex Head Ratcheting Combination Wrench
85271	11/32" 12 Point XL X-Beam™ Flex Head Ratcheting Combination Wrench	85280	5/8" 12 Point XL X-Beam™ Flex Head Ratcheting Combination Wrench
85272	3/8" 12 Point XL X-Beam™ Flex Head Ratcheting Combination Wrench	85282	11/16" 12 Point XL X-Beam™ Flex Head Ratcheting Combination Wrench
85274	7/16" 12 Point XL X-Beam™ Flex Head Ratcheting Combination Wrench	85284	3/4" 12 Point XL X-Beam™ Flex Head Ratcheting Combination Wrench
85276	1/2" 12 Point XL X-Beam™ Flex Head Ratcheting Combination Wrench		

12 Pc. 12 Point Metric XL X-Beam™ Flex Combination Ratcheting Wrench Set

- 72 tooth ratcheting box end needs a minimal 5° to move fasteners vs. 30° for standard wrenches
- X-Beam™ design lets you apply force to the flat side of the wrench, reducing hand fatigue
- Longer beam provides greater access to confined work areas vs. standard length wrenches
- Off-corner loading design on box end provides better grip and reduces fastener rounding
- One piece forged beam design with no weak spots for twisting
- Flexible head provides access to hard-to-reach bolts and fasteners
- Manufactured from alloy steel for better strength and longer tool life
- Bright, full polish chrome finish easily wipes clean and resists corrosion
- Included tray for storage and organization



Cat. No.	Included Storage	Product Weight
85288	Tray	5.36 lb

Cat. No.	Description	Cat. No.	Description
85258	8mm 12 Point XL X-Beam™ Flex Head Ratcheting Combination Wrench	85264	14mm 12 Point XL X-Beam™ Flex Head Ratcheting Combination Wrench
85259	9mm 12 Point XL X-Beam™ Flex Head Ratcheting Combination Wrench	85265	15mm 12 Point XL X-Beam™ Flex Head Ratcheting Combination Wrench
85260	10mm 12 Point XL X-Beam™ Flex Head Ratcheting Combination Wrench	85266	16mm 12 Point XL X-Beam™ Flex Head Ratcheting Combination Wrench
85261	11mm 12 Point XL X-Beam™ Flex Head Ratcheting Combination Wrench	85267	17mm 12 Point XL X-Beam™ Flex Head Ratcheting Combination Wrench
85262	12mm 12 Point XL X-Beam™ Flex Head Ratcheting Combination Wrench	85268	18mm 12 Point XL X-Beam™ Flex Head Ratcheting Combination Wrench
85263	13mm 12 Point XL X-Beam™ Flex Head Ratcheting Combination Wrench	85269	19mm 12 Point XL X-Beam™ Flex Head Ratcheting Combination Wrench