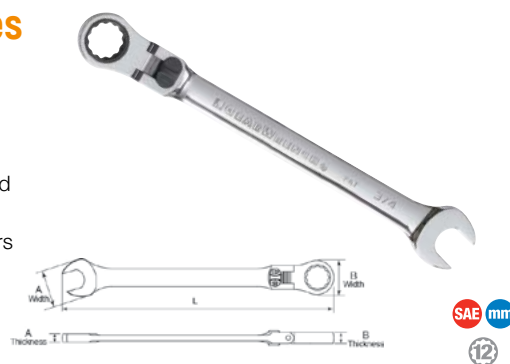


12 Point XL Locking Flex Ratcheting Wrenches

- 72 tooth ratcheting box end needs a minimal 5° to move fasteners vs. 30° for standard wrenches
- Off-corner loading design on box end provides better grip and reduces fastener rounding
- Longer beam provides greater access to confined work areas vs. standard length wrenches
- Locking flexible head provides access to hard-to-reach bolts and fasteners
- Manufactured from alloy steel for better strength and longer tool life
- Bright, full polish chrome finish easily wipes clean and resists corrosion
- Meets or exceeds ASME and ANSI specifications



Cat. No.	SAE/Metric	Fastener Size	End A Width	End A Thickness	End B Width	End B Thickness	Overall Length	Product Weight
85710	SAE	5/16 in	0.77 in	0.98 in	0.67 in	0.27 in	5.75 in	0.13 lb
85712	SAE	3/8 in	0.86 in	1.04 in	0.78 in	0.3 in	6.73 in	0.17 lb
85714D	SAE	7/16 in	0.95 in	0.25 in	0.85 in	0.32 in	7.2 in	0.26 lb
85716	SAE	1/2 in	1.15 in	0.32 in	0.98 in	0.34 in	8.15 in	0.29 lb
85718	SAE	9/16 in	1.23 in	0.67 in	1.04 in	0.37 in	8.62 in	0.36 lb
85720	SAE	5/8 in	1.36 in	0.7 in	1.2 in	0.41 in	9.53 in	0.44 lb
85722	SAE	11/16 in	1.49 in	0.78 in	1.27 in	0.42 in	10 in	0.56 lb
85724D	SAE	3/4 in	1.63 in	0.85 in	1.34 in	0.44 in	11.02 in	0.56 lb
85608	Metric	8 mm	0.77 in	0.2 in	0.67 in	0.27 in	5.75 in	0.12 lb
85609	Metric	9 mm	0.77 in	0.21 in	0.7 in	0.27 in	6.26 in	0.14 lb
85610	Metric	10 mm	0.86 in	0.22 in	0.78 in	0.3 in	6.73 in	0.18 lb
85611	Metric	11 mm	0.95 in	0.25 in	0.85 in	0.32 in	7.2 in	0.21 lb
85612	Metric	12 mm	1.05 in	0.29 in	0.91 in	0.34 in	7.68 in	0.26 lb
85613	Metric	13 mm	1.15 in	0.32 in	0.98 in	0.34 in	8.15 in	0.29 lb
85614	Metric	14 mm	1.23 in	0.33 in	1.04 in	0.37 in	8.62 in	0.36 lb
85615	Metric	15 mm	1.33 in	0.33 in	1.13 in	0.39 in	9.09 in	0.41 lb
85616	Metric	16 mm	1.36 in	0.35 in	1.2 in	0.41 in	9.53 in	0.49 lb
85617	Metric	17 mm	1.49 in	0.36 in	1.27 in	0.42 in	10 in	0.56 lb
85618	Metric	18 mm	1.58 in	0.37 in	1.31 in	0.44 in	10.51 in	0.62 lb
85619	Metric	19 mm	1.63 in	0.37 in	1.34 in	0.44 in	11.02 in	0.72 lb

8 Pc. 12 Point SAE Open End Combination Ratcheting Wrench Set

- Open end quickly ratchet nuts and bolts without removing the wrench from the fastener
- 72 tooth ratcheting box end needs a minimal 5° to move fasteners vs. 30° for standard wrenches
- Off-corner loading design on box end provides better grip and reduces fastener rounding
- Manufactured from alloy steel for better strength and longer tool life
- Bright, full polish chrome finish easily wipes clean and resists corrosion
- Included rack for storage and organization



Cat. No.	Included Storage	Product Weight
85599	Wrench Rack	2.50 lb

Cat. No.	Description	Cat. No.	Description
85570	5/16" 12 Point Open End Ratcheting Combination Wrench	85578	9/16" 12 Point Open End Ratcheting Combination Wrench
85572	3/8" 12 Point Open End Ratcheting Combination Wrench	85580	5/8" 12 Point Open End Ratcheting Combination Wrench
85574	7/16" 12 Point Open End Ratcheting Combination Wrench	85582	11/16" 12 Point Open End Ratcheting Combination Wrench
85576	1/2" 12 Point Open End Ratcheting Combination Wrench	85584	3/4" 12 Point Open End Ratcheting Combination Wrench

12 Pc. 12 Point Metric Open End Combination Ratcheting Wrench Set

- Open end quickly ratchet nuts and bolts without removing the wrench from the fastener
- 72 tooth ratcheting box end needs a minimal 5° to move fasteners vs. 30° for standard wrenches
- Off-corner loading design on box end provides better grip and reduces fastener rounding
- Manufactured from alloy steel for better strength and longer tool life
- Bright, full polish chrome finish easily wipes clean and resists corrosion
- Included rack for storage and organization

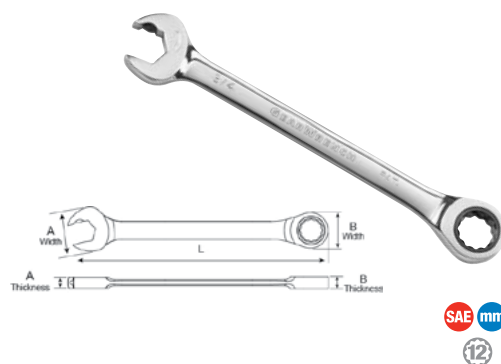


Cat. No.	Included Storage	Product Weight
85597	Wrench Rack	3.15 lb

Cat. No.	Description	Cat. No.	Description
85508	8mm 12 Point Open End Ratcheting Combination Wrench	85514D	14mm 12 Point Open End Ratcheting Combination Wrench
85509	9mm 12 Point Open End Ratcheting Combination Wrench	85515	15mm 12 Point Open End Ratcheting Combination Wrench
85510	10mm 12 Point Open End Ratcheting Combination Wrench	85516	16mm 12 Point Open End Ratcheting Combination Wrench
85511	11mm 12 Point Open End Ratcheting Combination Wrench	85517	17mm 12 Point Open End Ratcheting Combination Wrench
85512D	12mm 12 Point Open End Ratcheting Combination Wrench	85518	18mm 12 Point Open End Ratcheting Combination Wrench
85513	13mm 12 Point Open End Ratcheting Combination Wrench	85519	19mm 12 Point Open End Ratcheting Combination Wrench

12 Point Open End Combination Ratcheting Wrenches

- Open end quickly ratchet nuts and bolts without removing the wrench from the fastener
- 72 tooth ratcheting box end needs a minimal 5° to move fasteners vs. 30° for standard wrenches
- Off-corner loading design on box end provides better grip and reduces fastener rounding
- Manufactured from alloy steel for better strength and longer tool life
- Bright, full polish chrome finish easily wipes clean and resists corrosion



Cat. No.	SAE/Metric	Fastener Size	End A Width	End A Thickness	End B Width	End B Thickness	Overall Length	Product Weight
85570	SAE	5/16 in	0.658 in	0.197 in	0.625 in	0.256 in	5.508 in	0.12 lb
85572	SAE	3/8 in	0.822 in	0.22 in	0.75 in	0.287 in	6.256 in	0.17 lb
85574	SAE	7/16 in	0.905 in	0.24 in	0.811 in	0.303 in	6.508 in	0.19 lb
85576	SAE	1/2 in	1.069 in	0.303 in	0.93 in	0.339 in	7.008 in	0.25 lb
85578	SAE	9/16 in	1.152 in	0.307 in	1.02 in	0.354 in	7.504 in	0.31 lb
85580	SAE	5/8 in	1.316 in	0.346 in	1.13 in	0.39 in	8.201 in	0.43 lb
85582	SAE	11/16 in	1.399 in	0.37 in	1.201 in	0.406 in	8.878 in	0.49 lb
85584	SAE	3/4 in	1.563 in	0.386 in	1.278 in	0.441 in	9.764 in	0.58 lb
85508	Metric	8 mm	0.658 in	0.197 in	0.625 in	0.256 in	5.508 in	0.12 lb
85509	Metric	9 mm	0.741 in	0.209 in	0.689 in	0.272 in	5.882 in	0.13 lb
85510	Metric	10 mm	0.822 in	0.22 in	0.75 in	0.287 in	6.256 in	0.17 lb
85511	Metric	11 mm	0.905 in	0.24 in	0.811 in	0.303 in	6.508 in	0.21 lb
85512D	Metric	12 mm	0.988 in	0.26 in	0.855 in	0.323 in	6.756 in	0.24 lb
85513	Metric	13 mm	1.069 in	0.303 in	0.93 in	0.339 in	7.008 in	0.26 lb
85514D	Metric	14 mm	1.152 in	0.307 in	1.02 in	0.354 in	7.504 in	0.31 lb
85515	Metric	15 mm	1.233 in	0.315 in	1.07 in	0.37 in	7.854 in	0.35 lb
85516	Metric	16 mm	1.316 in	0.346 in	1.13 in	0.39 in	8.201 in	0.40 lb
85517	Metric	17 mm	1.399 in	0.37 in	1.201 in	0.406 in	8.878 in	0.49 lb
85518	Metric	18 mm	1.48 in	0.37 in	1.239 in	0.421 in	9.315 in	0.53 lb
85519	Metric	19 mm	1.563 in	0.386 in	1.278 in	0.441 in	9.764 in	0.50 lb

8 Pc. 12 Point SAE Indexing Combination Ratcheting Wrench Set

- 13 locking positions across 180° of movement allow you to reach confined work areas
- 72 tooth ratcheting box end needs a minimal 5° to move fasteners vs. 30° for standard wrenches
- Off-corner loading design on box end provides better grip and reduces fastener rounding
- Manufactured from alloy steel for better strength and longer tool life
- Bright, full polish chrome finish easily wipes clean and resists corrosion
- Included rack for storage and organization



Cat. No.	Included Storage	Product Weight
85498	Wrench Rack	2.98 lb

Cat. No.	Description	Cat. No.	Description
85450	5/16" 12 Point Indexing Ratcheting Combination Wrench	85458	9/16" 12 Point Indexing Ratcheting Combination Wrench
85452	3/8" 12 Point Indexing Ratcheting Combination Wrench	85460	5/8" 12 Point Indexing Ratcheting Combination Wrench
85454	7/16" 12 Point Indexing Ratcheting Combination Wrench	85462	11/16" 12 Point Indexing Ratcheting Combination Wrench
85456	1/2" 12 Point Indexing Ratcheting Combination Wrench	85464	3/4" 12 Point Indexing Ratcheting Combination Wrench

12 Pc. 12 Point Metric Indexing Combination Ratcheting Wrench Set

- 13 locking positions across 180° of movement allow you to reach confined work areas
- 72 tooth ratcheting box end needs a minimal 5° to move fasteners vs. 30° for standard wrenches
- Off-corner loading design on box end provides better grip and reduces fastener rounding
- Manufactured from alloy steel for better strength and longer tool life
- Bright, full polish chrome finish easily wipes clean and resists corrosion
- Included rack for storage and organization



Cat. No.	Included Storage	Product Weight
85488	Wrench Rack	4.39 lb

Cat. No.	Description	Cat. No.	Description
85418	8mm 12 Point Indexing Ratcheting Combination Wrench	85444	14mm 12 Point Indexing Ratcheting Combination Wrench
85439D	9mm 12 Point Indexing Ratcheting Combination Wrench	85445	15mm 12 Point Indexing Ratcheting Combination Wrench
85440D	10mm 12 Point Indexing Ratcheting Combination Wrench	85446	16mm 12 Point Indexing Ratcheting Combination Wrench
85441D	11mm 12 Point Indexing Ratcheting Combination Wrench	85447	17mm 12 Point Indexing Ratcheting Combination Wrench
85442	12mm 12 Point Indexing Ratcheting Combination Wrench	85448	18mm 12 Point Indexing Ratcheting Combination Wrench
85443	13mm 12 Point Indexing Ratcheting Combination Wrench	85449	19mm 12 Point Indexing Ratcheting Combination Wrench