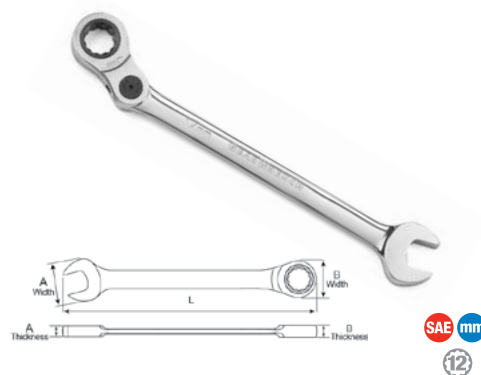


12 Point Indexing Combination Ratcheting Wrenches

- 13 locking positions across 180° of movement allow you to reach confined work areas
- 72 tooth ratcheting box end needs a minimal 5° to move fasteners vs. 30° for standard wrenches
- Off-corner loading design on box end provides better grip and reduces fastener rounding
- Manufactured from alloy steel for better strength and longer tool life
- Bright, full polish chrome finish easily wipes clean and resists corrosion



Cat. No.	SAE/Metric	Fastener Size	End A Width	End A Thickness	End B Width	End B Thickness	Overall Length	Product Weight
85450	SAE	5/16 in	0.709 in	0.197 in	0.535 in	0.127 in	4.949 in	0.13 lb
85452	SAE	3/8 in	0.906 in	0.22 in	0.574 in	0.127 in	5.909 in	0.20 lb
85454	SAE	7/16 in	0.984 in	0.24 in	0.618 in	0.127 in	6.417 in	0.22 lb
85456	SAE	1/2 in	1.102 in	0.303 in	0.685 in	0.171 in	7.217 in	0.32 lb
85458	SAE	9/16 in	1.26 in	0.307 in	0.728 in	0.171 in	7.665 in	0.38 lb
85460	SAE	5/8 in	1.378 in	0.346 in	0.813 in	0.197 in	8.508 in	0.52 lb
85462	SAE	11/16 in	1.496 in	0.37 in	0.844 in	0.197 in	9.016 in	0.62 lb
85464	SAE	3/4 in	1.654 in	0.386 in	0.883 in	0.197 in	10.122 in	0.72 lb
85418	Metric	8 mm	0.709 in	0.197 in	0.535 in	0.127 in	4.949 in	0.13 lb
85439D	Metric	9 mm	0.787 in	0.209 in	0.543 in	0.127 in	5.394 in	0.15 lb
85440D	Metric	10 mm	0.906 in	0.22 in	0.574 in	0.127 in	5.909 in	0.19 lb
85441D	Metric	11 mm	0.984 in	0.24 in	0.618 in	0.127 in	6.417 in	0.23 lb
85442	Metric	12 mm	1.063 in	0.26 in	0.66 in	0.171 in	6.783 in	0.27 lb
85443	Metric	13 mm	1.102 in	0.303 in	0.685 in	0.171 in	7.217 in	0.31 lb
85444	Metric	14 mm	1.26 in	0.307 in	0.728 in	0.171 in	7.665 in	0.38 lb
85445	Metric	15 mm	1.299 in	0.315 in	0.766 in	0.171 in	8.185 in	0.43 lb
85446	Metric	16 mm	1.378 in	0.346 in	0.813 in	0.197 in	8.508 in	0.52 lb
85447	Metric	17 mm	1.496 in	0.37 in	0.844 in	0.197 in	9.016 in	0.60 lb
85448	Metric	18 mm	1.535 in	0.37 in	0.851 in	0.197 in	9.555 in	0.65 lb
85449	Metric	19 mm	1.654 in	0.386 in	0.883 in	0.197 in	10.122 in	0.70 lb

13 Pc. 12 Point SAE XL GearBox™ Double Box Ratcheting Wrench Set

- 72 tooth ratcheting box end needs a minimal 5° to move fasteners vs. 30° for standard wrenches
- Off-corner loading design on box end provides better grip and reduces fastener rounding
- Size conveniently stamped on both ends of the beam for quick identification
- 0° offset on non-ratcheting end for breaking loose stubborn fasteners
- Manufactured from alloy steel for better strength and longer tool life
- Bright, full polish chrome finish easily wipes clean and resists corrosion
- Included tray for storage and organization



Cat. No.	Included Storage	Product Weight
85999	Tray	10.56 lb

Cat. No.	Description	Cat. No.	Description
85950	5/16" 12 Point XL GearBox™ Double Box Ratcheting Wrench	85962	11/16" 12 Point XL GearBox™ Double Box Ratcheting Wrench
85951	11/32" 12 Point XL GearBox™ Double Box Ratcheting Wrench	85964	3/4" 12 Point XL GearBox™ Double Box Ratcheting Wrench
85952	3/8" 12 Point XL GearBox™ Double Box Ratcheting Wrench	85966	13/16" 12 Point XL GearBox™ Double Box Ratcheting Wrench
85954	7/16" 12 Point XL GearBox™ Double Box Ratcheting Wrench	85968	7/8" 12 Point XL GearBox™ Double Box Ratcheting Wrench
85956	1/2" 12 Point XL GearBox™ Double Box Ratcheting Wrench	85970	15/16" 12 Point XL GearBox™ Double Box Ratcheting Wrench
85958	9/16" 12 Point XL GearBox™ Double Box Ratcheting Wrench	85972	1" 12 Point XL GearBox™ Double Box Ratcheting Wrench
85960	5/8" 12 Point XL GearBox™ Double Box Ratcheting Wrench		

9 Pc. 12 Point SAE XL GearBox™ Double Box Ratcheting Wrench Set

- 72 tooth ratcheting box end needs a minimal 5° to move fasteners vs. 30° for standard wrenches
- Off-corner loading design on box end provides better grip and reduces fastener rounding
- Size conveniently stamped on both ends of the beam for quick identification
- 0° offset on non-ratcheting end for breaking loose stubborn fasteners
- Manufactured from alloy steel for better strength and longer tool life
- Bright, full polish chrome finish easily wipes clean and resists corrosion
- Included tray for storage and organization



Cat. No.	Included Storage	Product Weight
85998	Tray	4.75 lb

Cat. No.	Description	Cat. No.	Description
85950	5/16" 12 Point XL GearBox™ Double Box Ratcheting Wrench	85958	9/16" 12 Point XL GearBox™ Double Box Ratcheting Wrench
85951	11/32" 12 Point XL GearBox™ Double Box Ratcheting Wrench	85960	5/8" 12 Point XL GearBox™ Double Box Ratcheting Wrench
85952	3/8" 12 Point XL GearBox™ Double Box Ratcheting Wrench	85962	11/16" 12 Point XL GearBox™ Double Box Ratcheting Wrench
85954	7/16" 12 Point XL GearBox™ Double Box Ratcheting Wrench	85964	3/4" 12 Point XL GearBox™ Double Box Ratcheting Wrench
85956	1/2" 12 Point XL GearBox™ Double Box Ratcheting Wrench		