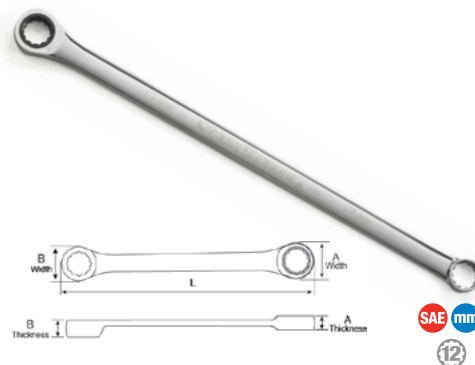


12 Point XL GearBox™ Double Box Ratcheting Wrenches

- 72 tooth ratcheting box end needs a minimal 5° to move fasteners vs. 30° for standard wrenches
- Off-corner loading design on box end provides better grip and reduces fastener rounding
- Size conveniently stamped on both ends of the beam for quick identification
- 0° offset on non-ratcheting end for breaking loose stubborn fasteners
- Manufactured from alloy steel for better strength and longer tool life
- Bright, full polish chrome finish easily wipes clean and resists corrosion



Cat. No.	SAE/Metric	Fastener Size	End A Width	End A Thickness	End B Width	End B Thickness	Overall Length	Product Weight
85950	SAE	5/16 in	0.67 in	0.27 in	0.46 in	0.24 in	8.71 in	0.13 lb
85951	SAE	11/32 in	0.7 in	0.27 in	0.52 in	0.26 in	8.91 in	0.13 lb
85952	SAE	3/8 in	0.78 in	0.3 in	0.57 in	0.27 in	9.5 in	0.17 lb
85954	SAE	7/16 in	0.85 in	0.32 in	0.62 in	0.31 in	9.89 in	0.20 lb
85956	SAE	1/2 in	0.98 in	0.34 in	0.74 in	0.35 in	11.31 in	0.26 lb
85958	SAE	9/16 in	1.04 in	0.37 in	0.8 in	0.39 in	12.02 in	0.38 lb
85960	SAE	5/8 in	1.2 in	0.41 in	0.9 in	0.43 in	13.71 in	0.50 lb
85962	SAE	11/16 in	1.27 in	0.42 in	0.94 in	0.43 in	14.7 in	0.67 lb
85964	SAE	3/4 in	1.34 in	0.44 in	1.04 in	0.47 in	15.6 in	0.77 lb
85966	SAE	13/16 in	1.54 in	0.51 in	1.18 in	0.57 in	16.54 in	1.42 lb
85968	SAE	7/8 in	1.54 in	0.51 in	1.22 in	0.57 in	17.01 in	2.07 lb
85970	SAE	15/16 in	1.75 in	0.57 in	1.34 in	0.59 in	18.03 in	2.71 lb
85972	SAE	1 in	1.75 in	0.57 in	1.42 in	0.59 in	18.5 in	3.36 lb
85908	Metric	8 mm	0.67 in	0.27 in	0.46 in	0.24 in	8.71 in	0.13 lb
85909	Metric	9 mm	0.7 in	0.27 in	0.52 in	0.26 in	8.91 in	0.13 lb
85910	Metric	10 mm	0.78 in	0.3 in	0.57 in	0.27 in	9.5 in	0.17 lb
85911	Metric	11 mm	0.85 in	0.32 in	0.62 in	0.31 in	9.89 in	0.20 lb
85912	Metric	12 mm	0.91 in	0.34 in	0.68 in	0.33 in	10.52 in	0.26 lb
85913	Metric	13 mm	0.98 in	0.34 in	0.74 in	0.35 in	11.31 in	0.33 lb
85914	Metric	14 mm	1.04 in	0.37 in	0.8 in	0.39 in	12.02 in	0.38 lb
85915	Metric	15 mm	1.13 in	0.39 in	0.86 in	0.43 in	12.72 in	0.47 lb
85916	Metric	16 mm	1.2 in	0.41 in	0.9 in	0.43 in	13.71 in	0.50 lb
85917	Metric	17 mm	1.27 in	0.42 in	0.94 in	0.43 in	14.7 in	0.67 lb
85918	Metric	18 mm	1.31 in	0.44 in	0.98 in	0.45 in	15.13 in	0.70 lb
85919	Metric	19 mm	1.34 in	0.44 in	1.04 in	0.47 in	15.6 in	0.77 lb
85920	Metric	20 mm	1.54 in	0.51 in	1.14 in	0.52 in	15.98 in	1.42 lb
85921	Metric	21 mm	1.54 in	0.51 in	1.18 in	0.57 in	16.54 in	2.07 lb
85922	Metric	22 mm	1.54 in	0.51 in	1.22 in	0.57 in	17.01 in	2.71 lb
85924	Metric	24 mm	1.75 in	0.57 in	1.34 in	0.59 in	18.03 in	3.36 lb
85925	Metric	25 mm	1.75 in	0.57 in	1.42 in	0.59 in	18.5 in	4.01 lb

10 Pc. 120XP™ Universal Spline SAE XL Flex GearBox Ratcheting Wrench Set

- 120XP™ wrenches have two double stacked 60-tooth pawls (120 positions) providing a 3° swing arc so you can turn fasteners in tighter confines
- Universal spline drive fits 12-point, 6-point, rounded 6-point, spline, Eternal Torx® and square fasteners
- XL beam design is up to 25% longer than standard wrenches for improved reach, leverage, and torque
- Dual-direction off-corner loading on open end for better grip and reduced fastener rounding
- Highly visible, recessed size markings are color coded for easy identification
- Manufactured from alloy steel for better strength and longer tool life
- Flexible head provides access to hard-to-reach bolts and fasteners
- 0° offset on non-ratcheting end for breaking loose stubborn fasteners
- Bright, full polish chrome finish easily wipes clean and resists rust and corrosion
- Included tray for storage and organization



Cat. No.	Included Storage	Product Weight
86142	Tray	7.115 lb

Cat. No.	Description	Cat. No.	Description
86128	1/4" 120XP™ Universal Spline XL GearBox™ Flex Head Ratcheting Wrench	86133	1/2" 120XP™ Universal Spline XL GearBox™ Flex Head Ratcheting Wrench
86129	5/16" 120XP™ Universal Spline XL GearBox™ Flex Head Ratcheting Wrench	86134	9/16" 120XP™ Universal Spline XL GearBox™ Flex Head Ratcheting Wrench
86130	11/32" 120XP™ Universal Spline XL GearBox™ Flex Head Ratcheting Wrench	86135	5/8" 120XP™ Universal Spline XL GearBox™ Flex Head Ratcheting Wrench
86131	3/8" 120XP™ Universal Spline XL GearBox™ Flex Head Ratcheting Wrench	86136	11/16" 120XP™ Universal Spline XL GearBox™ Flex Head Ratcheting Wrench
86132	7/16" 120XP™ Universal Spline XL GearBox™ Flex Head Ratcheting Wrench	86137	3/4" 120XP™ Universal Spline XL GearBox™ Flex Head Ratcheting Wrench