

10 Pc. 120XP™ Universal Spline Metric XL Flex GearBox Ratcheting Wrench Set

- 120XP™ wrenches have two double stacked 60-tooth pawls (120 positions) providing a 3° swing arc so you can turn fasteners in tighter confines
- Universal spline drive fits 12-point, 6-point, rounded 6-point, spline, Eternal Torx® and square fasteners
- XL beam design is up to 25% longer than standard wrenches for improved reach, leverage, and torque
- Dual-direction off-corner loading on open end for better grip and reduced fastener rounding
- Highly visible, recessed size markings are color coded for easy identification
- Manufactured from alloy steel for better strength and longer tool life
- Flexible head provides access to hard-to-reach bolts and fasteners
- 0° offset on non-ratcheting end for breaking loose stubborn fasteners
- Bright, full polish chrome finish easily wipes clean and resists rust and corrosion
- Included tray for storage and organization



Cat. No.	Included Storage	Product Weight
86126	Tray	8.760 lb

Cat. No.	Description	Cat. No.	Description
86110	10mm 120XP™ Universal Spline XL GearBox™ Flex Head Ratcheting Wrench	86115	15mm 120XP™ Universal Spline XL GearBox™ Flex Head Ratcheting Wrench
86111	11mm 120XP™ Universal Spline XL GearBox™ Flex Head Ratcheting Wrench	86116	16mm 120XP™ Universal Spline XL GearBox™ Flex Head Ratcheting Wrench
86112	12mm 120XP™ Universal Spline XL GearBox™ Flex Head Ratcheting Wrench	86117	17mm 120XP™ Universal Spline XL GearBox™ Flex Head Ratcheting Wrench
86113	13mm 120XP™ Universal Spline XL GearBox™ Flex Head Ratcheting Wrench	86118	18mm 120XP™ Universal Spline XL GearBox™ Flex Head Ratcheting Wrench
86114	14mm 120XP™ Universal Spline XL GearBox™ Flex Head Ratcheting Wrench	86119	19mm 120XP™ Universal Spline XL GearBox™ Flex Head Ratcheting Wrench

120XP™ Universal Spline XL Flex GearBox™ Ratcheting Wrenches

- 120XP™ wrenches have two double stacked 60-tooth pawls (120 positions) providing a 3° swing arc so you can turn fasteners in tighter confines
- Universal spline drive fits 12-point, 6-point, rounded 6-point, spline, Eternal Torx® and square fasteners
- XL beam design is up to 25% longer than standard wrenches for improved reach, leverage, and torque
- Dual-direction off-corner loading on open end for better grip and reduced fastener rounding
- Highly visible, recessed size markings are color coded for easy identification
- Manufactured from alloy steel for better strength and longer tool life
- Flexible head provides access to hard-to-reach bolts and fasteners
- 0° offset on non-ratcheting end for breaking loose stubborn fasteners
- Bright, full polish chrome finish easily wipes clean and resists corrosion

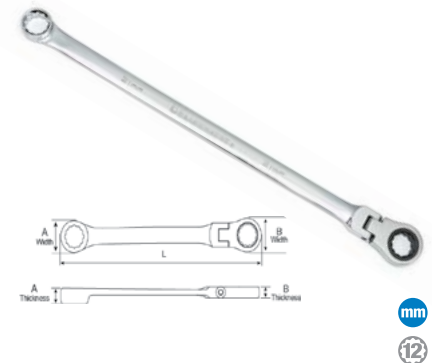


Cat. No.	SAE/Metric	Fastener Size	End A Width	End A Thickness	End B Width	End B Thickness	Overall Length	Product Weight
86128	SAE	1/4 in	0.45 in	0.22 in	0.61 in	0.27 in	10.203 in	0.176 lb
86129	SAE	5/16 in	0.5 in	0.24 in	0.67 in	0.27 in	11.203 in	0.100 lb
86130	SAE	11/32 in	0.57 in	0.26 in	0.74 in	0.27 in	11.625 in	0.209 lb
86131	SAE	3/8 in	0.64 in	0.27 in	0.81 in	0.29 in	12.406 in	0.276 lb

Cat. No.	SAE/Metric	Fastener Size	End A Width	End A Thickness	End B Width	End B Thickness	Overall Length	Product Weight
86132	SAE	7/16 in	0.7 in	0.31 in	0.87 in	0.3 in	12.718 in	0.331 lb
86133	SAE	1/2 in	0.8 in	0.35 in	1 in	0.34 in	15 in	0.535 lb
86134	SAE	9/16 in	0.91 in	0.39 in	1.1 in	0.37 in	15.718 in	0.584 lb
86135	SAE	5/8 in	0.98 in	0.43 in	1.22 in	0.41 in	16.7 in	0.075 lb
86136	SAE	11/16 in	1.08 in	0.43 in	1.24 in	0.42 in	17.109 in	0.871 lb
86137	SAE	3/4 in	1.17 in	0.47 in	1.39 in	0.44 in	18.109 in	1.058 lb
86108	Metric	8 mm	0.5 in	0.24 in	.67 in	.27 in	11.2 in	0.176 lb
86109	Metric	9 mm	0.57 in	0.26 in	.74 in	.27 in	11.6 in	0.209 lb
86110	Metric	10 mm	0.64 in	0.27 in	.81 in	.29 in	12.4 in	0.295 lb
86111	Metric	11 mm	0.7 in	0.31 in	.87 in	.3 in	12.9 in	0.330 lb
86112	Metric	12 mm	0.76 in	0.33 in	.92 in	.32 in	13.8 in	0.475 lb
86113	Metric	13 mm	0.8 in	0.35 in	1 in	.34 in	15 in	0.510 lb
86114	Metric	14 mm	0.91 in	0.39 in	1.1 in	.37 in	15.9 in	0.584 lb
86115	Metric	15 mm	0.95 in	0.43 in	1.15 in	.39 in	16.3 in	0.639 lb
86116	Metric	16 mm	0.98 in	0.43 in	1.22 in	.41 in	16.7 in	0.745 lb
86117	Metric	17 mm	1.08 in	0.43 in	1.24 in	.42 in	17.1 in	0.871 lb
86118	Metric	18 mm	1.13 in	0.45 in	1.28 in	.44 in	17.7 in	0.959 lb
86119	Metric	19 mm	1.17 in	0.47 in	1.39 in	.44 in	18.109 in	1.058 lb

12 Point XL Flex GearBox™ Ratcheting Wrenches

- 72 tooth ratcheting box end needs a minimal 5° to move fasteners vs. 30° for standard wrenches
- Off-corner loading design on box ends provide better grip and reduces fastener rounding
- Longer beam provides greater access to confined work areas vs. standard length wrenches
- Flexible head provides access to hard-to-reach bolts and fasteners
- Size conveniently stamped on both ends of the beam for quick identification
- Manufactured from alloy steel for better strength and longer tool life
- Bright, full polish chrome finish easily wipes clean and resists corrosion



Cat. No.	SAE/Metric	Fastener Size	End A Width	End A Thickness	End B Width	End B Thickness	Overall Length	Product Weight
86021	Metric	21 mm	1.22 in	.57 in	1.59 in	.51 in	18.7	1.100 lb
86022	Metric	22 mm	1.22 in	.57 in	1.59 in	.51 in	18.7	1.285 lb
86024	Metric	24 mm	1.33 in	.59 in	1.85 in	.57 in	19.2	1.510 lb