

### 84 Pc. 1/4", 3/8", and 1/2" Drive Hex and Torx® Bit Socket Set

Continued from previous page

Cat. No.	Description	Cat. No.	Description
-	1/4" Drive Tamper-Proof Torx® Bit Socket T10	-	3/8" Drive Long Ball Hex Bit Socket 9mm
-	1/4" Drive Tamper-Proof Torx® Bit Socket T15	-	3/8" Drive Long Ball Hex Bit Socket 10mm
-	1/4" Drive Tamper-Proof Torx® Bit Socket T20	-	3/8" Drive External Torx® Bit Socket E10
-	1/4" Drive Tamper-Proof Torx® Bit Socket T25	-	3/8" Drive External Torx® Bit Socket E12
-	1/4" Drive Tamper-Proof Torx® Bit Socket T27	-	3/8" Drive External Torx® Bit Socket E14
-	1/4" Drive Tamper-Proof Torx® Bit Socket T30	-	3/8" Drive External Torx® Bit Socket E16
-	3/8" Drive Hex Bit Socket 7/32"	-	3/8" Drive Tamper-Proof Torx® Bit Socket T40
-	3/8" Drive Hex Bit Socket, 1/4"	-	3/8" Drive Tamper-Proof Torx® Bit Socket T45
-	3/8" Drive Hex Bit Socket 5/16"	-	3/8" Drive Tamper-Proof Torx® Bit Socket T50
-	3/8" Drive Hex Bit Socket 3/8"	-	3/8" Drive Tamper-Proof Torx® Bit Socket T55
-	3/8" Drive Hex Bit Socket 6mm	-	1/2" Drive Hex Bit Socket 7/16"
-	3/8" Drive Hex Bit Socket 7mm	-	1/2" Drive Hex Bit Socket 1/2"
-	3/8" Drive Hex Bit Socket 8mm	-	1/2" Drive Hex Bit Socket 9/16"
-	3/8" Drive Hex Bit Socket 9mm	-	1/2" Drive Hex Bit Socket 5/8"
-	3/8" Drive Hex Bit Socket 10mm	-	1/2" Drive Hex Bit Socket 3/4"
-	3/8" Drive Torx® Bit Socket T30	-	1/2" Drive Hex Bit Socket 10mm
-	3/8" Drive Torx® Bit Socket T40	-	1/2" Drive Hex Bit Socket 12mm
-	3/8" Drive Torx® Bit Socket T45	-	1/2" Drive Hex Bit Socket 14mm
-	3/8" Drive Torx® Bit Socket T50	-	1/2" Drive Hex Bit Socket 17mm
-	3/8" Drive Torx® Bit Socket T55	-	1/2" Drive Hex Bit Socket 19mm
-	3/8" Drive Long Torx® Bit Socket T40	-	1/2" Drive Torx® Bit Socket, T50
-	3/8" Drive Long Torx® Bit Socket T45	-	1/2" Drive External Torx® Bit Socket E18
-	3/8" Drive Long Torx® Bit Socket T50	-	1/2" Drive External Torx® Bit Socket E20
-	3/8" Drive Long Ball Hex Bit Socket 4mm	-	1/2" Drive External Torx® Bit Socket E22
-	3/8" Drive Long Ball Hex Bit Socket 5mm	-	1/2" Drive External Torx® Bit Socket E24
-	3/8" Drive Long Ball Hex Bit Socket 6mm	-	1/2" Drive Tamper-Proof Torx® Bit Socket T60
-	3/8" Drive Long Ball Hex Bit Socket 7mm	-	
-	3/8" Drive Long Ball Hex Bit Socket 8mm	-	

### 36 Pc. 1/4", 3/8", and 1/2" Drive Hex and Torx® Bit Socket Set

- Heat treated for maximum durability
- Bits made of S2 steel for strength and durability
- Bright, full polish chrome finish easily wipes clean and resists corrosion
- Hard stamped size markings
- Includes socket rail for storage and organization
- Meets or exceeds ASME specifications



Cat. No.	Included Storage	Product Weight
80726	Blow Mold Case	3.86 lb



Cat. No.	Description	Cat. No.	Description
80172	1/4" Drive Torx® Bit Socket T10	80463	3/8" Drive External Torx® Socket E16
80173	1/4" Drive Torx® Bit Socket T15	80416	3/8" Drive Hex Bit SAE Socket 5/32"
80174	1/4" Drive Torx® Bit Socket T20	80417	3/8" Drive Hex Bit SAE Socket 3/16"
80175	1/4" Drive Torx® Bit Socket T25	80418	3/8" Drive Hex Bit SAE Socket 7/32"
80176D	1/4" Drive Torx® Bit Socket T27	80419	3/8" Drive Hex Bit SAE Socket 1/4"
80177D	1/4" Drive Torx® Bit Socket T30	80420	3/8" Drive Hex Bit SAE Socket 5/16"
80187	1/4" Drive External Torx® Socket E5	80421	3/8" Drive Hex Bit SAE Socket 3/8"
80188D	1/4" Drive External Torx® Socket E6	80422	3/8" Drive Hex Bit Metric Socket 2mm
80189	1/4" Drive External Torx® Socket E7	80423	3/8" Drive Hex Bit Metric Socket 2.5mm
80190	1/4" Drive External Torx® Socket E8	80424	3/8" Drive Hex Bit Metric Socket 3mm
80451	3/8" Drive Torx® Bit Socket T40	80425	3/8" Drive Hex Bit Metric Socket 4mm
80452	3/8" Drive Torx® Bit Socket T45	80426	3/8" Drive Hex Bit Metric Socket 5mm
80453	3/8" Drive Torx® Bit Socket T47	80427	3/8" Drive Hex Bit Metric Socket 6mm
80454	3/8" Drive Torx® Bit Socket T50	80428D	3/8" Drive Hex Bit Metric Socket 7mm
80455	3/8" Drive Torx® Bit Socket T55	80429	3/8" Drive Hex Bit Metric Socket 8mm
80460	3/8" Drive External Torx® Socket E10	80430	3/8" Drive Hex Bit Metric Socket 9mm
80461	3/8" Drive External Torx® Socket E12	80431	3/8" Drive Hex Bit Metric Socket 10mm
80462	3/8" Drive External Torx® Socket E14	80669D	1/2" Drive External Torx® Socket E18

### 13 Pc. 1/4", 3/8", and 1/2" Drive Torx® Bit Socket Set

- Heat treated for maximum durability
- Bits made of S2 steel for strength and durability
- Bright, full polish chrome finish easily wipes clean and resists corrosion
- Hard stamped size markings
- Includes socket rail for storage and organization
- Meets or exceeds ASME specifications



Cat. No.	Included Storage	Product Weight
80723	Socket Rail	1.32 lb

Cat. No.	Description	Cat. No.	Description
80171	1/4" Drive Torx® Bit Socket T8	80451	3/8" Drive Torx® Bit Socket T40
80172	1/4" Drive Torx® Bit Socket T10	80452	3/8" Drive Torx® Bit Socket T45
80173	1/4" Drive Torx® Bit Socket T15	80453	3/8" Drive Torx® Bit Socket T47
80174	1/4" Drive Torx® Bit Socket T20	80454	3/8" Drive Torx® Bit Socket T50
80175	1/4" Drive Torx® Bit Socket T25	80455	3/8" Drive Torx® Bit Socket T55
80176D	1/4" Drive Torx® Bit Socket T27	80667	1/2" Drive Torx® Bit Socket T60
80177D	1/4" Drive Torx® Bit Socket T30		

### 10 Pc. 1/4" and 3/8" Drive Torx® Bit Socket Set

- Heat treated for maximum durability
- Bits made of S2 steel for strength and durability
- Bright, full polish chrome finish easily wipes clean and resists corrosion
- Hard stamped size markings
- Includes socket rail for storage and organization
- Meets or exceeds ASME specifications



Cat. No.	Included Storage	Product Weight
80722	Socket Rail	0.98 lb

Cat. No.	Description	Cat. No.	Description
80172	1/4" Drive Torx® Bit Socket T10	80177D	1/4" Drive Torx® Bit Socket T30
80173	1/4" Drive Torx® Bit Socket T15	80451	3/8" Drive Torx® Bit Socket T40
80174	1/4" Drive Torx® Bit Socket T20	80452	3/8" Drive Torx® Bit Socket T45
80175	1/4" Drive Torx® Bit Socket T25	80454	3/8" Drive Torx® Bit Socket T50
80176D	1/4" Drive Torx® Bit Socket T27	80455	3/8" Drive Torx® Bit Socket T55

### 10 Pc. 1/4" and 3/8" Drive Long Torx® Bit Socket Set

- Bright, full polish chrome finish easily wipes clean and resists corrosion
- Hard stamped size markings
- All bit sockets 6" in length
- Includes socket rail for storage and organization
- Meets or exceeds ASME specifications



Cat. No.	Included Storage	Product Weight
80588	Socket Rail	1.65 lb

Cat. No.	Description	Cat. No.	Description
82510	1/4" Drive Long Torx® Bit Socket T8	82515	1/4" Drive Long Torx® Bit Socket T27
82511	1/4" Drive Long Torx® Bit Socket T10	82516	1/4" Drive Long Torx® Bit Socket T30
82512	1/4" Drive Long Torx® Bit Socket T15	82517	3/8" Drive Long Torx® Bit Socket T40
82513	1/4" Drive Long Torx® Bit Socket T20	82518	3/8" Drive Long Torx® Bit Socket T45
82514	1/4" Drive Long Torx® Bit Socket T25	82519	3/8" Drive Long Torx® Bit Socket T50

### 13 Pc. 1/4", 3/8" and 1/2" Drive Torx® Stubby Bit Socket Set

- Reduced overall bit length provides better access in tight spaces
- Heat-treated socket base for durability
- S2 steel insert bits offer maximum strength
- Hard stamped size markings
- Bright, full polish chrome finish easily wipes clean and resists corrosion
- Includes socket rail for storage and organization
- Meets or exceeds ASME specifications

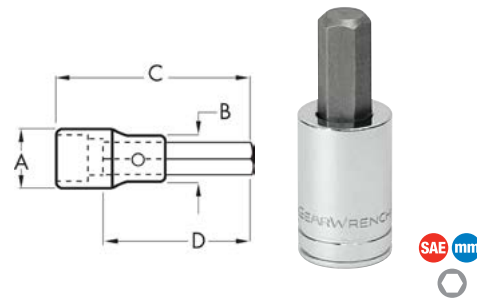


Cat. No.	Included Storage	Product Weight
80898	Socket Rail	1.13 lb

Cat. No.	Description	Cat. No.	Description
80883	1/4" Drive Stubby Torx® Bit Socket T8	80890	3/8" Drive Stubby Torx® Bit Socket T40
80884	1/4" Drive Stubby Torx® Bit Socket T10	80891	3/8" Drive Stubby Torx® Bit Socket T45
80885	1/4" Drive Stubby Torx® Bit Socket T15	80892	3/8" Drive Stubby Torx® Bit Socket T47
80886	1/4" Drive Stubby Torx® Bit Socket T20	80893	3/8" Drive Stubby Torx® Bit Socket T50
80887	1/4" Drive Stubby Torx® Bit Socket T25	80894	1/2" Drive Stubby Torx® Bit Socket T55
80888	1/4" Drive Stubby Torx® Bit Socket T27	80896	1/2" Drive Stubby Torx® Bit Socket T60
80889	1/4" Drive Stubby Torx® Bit Socket T30		

### 1/4" Drive Hex Bit Sockets

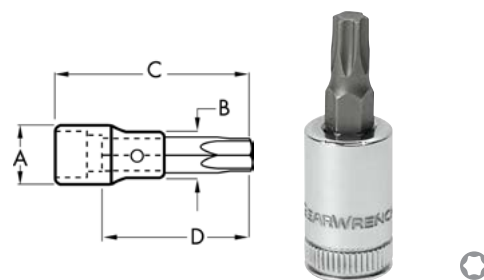
- Heat-treated socket base for durability
- S2 steel insert bits offer maximum strength
- Double line (SAE) and knurled (metric) ring help easily identify standard and metric sockets
- Hard stamped size markings
- Bright, full polish chrome finish easily wipes clean and resists corrosion
- Meets or exceeds ASME specifications



Cat. No.	SAE/Metric	Fastener Size	Dim. A: Drive End	Dim. B: Nose Diameter	Dim. C: Overall Length	Dim. D: Bit Length	Product Weight
80151D	SAE	1/16 in	0.508 in	0.508 in	1.53 in	0.984 in	0.05 lb
80152	SAE	5/64 in	0.508 in	0.508 in	1.53 in	0.984 in	0.05 lb
80153	SAE	3/32 in	0.508 in	0.508 in	1.53 in	0.984 in	0.05 lb
80154	SAE	7/64 in	0.508 in	0.508 in	1.53 in	0.984 in	0.05 lb
80155	SAE	1/8 in	0.508 in	0.508 in	1.53 in	0.984 in	0.05 lb
80156	SAE	9/64 in	0.508 in	0.508 in	1.53 in	0.984 in	0.05 lb
80157	SAE	5/32 in	0.508 in	0.508 in	1.53 in	0.984 in	0.05 lb
80158	SAE	3/16 in	0.508 in	0.508 in	1.53 in	0.984 in	0.05 lb
80159	SAE	7/32 in	0.508 in	0.508 in	1.53 in	0.984 in	0.05 lb
80160	SAE	1/4 in	0.508 in	0.508 in	1.53 in	0.984 in	0.05 lb
80161	Metric	2 mm	0.508 in	0.508 in	1.53 in	0.984 in	0.05 lb
80162	Metric	2.5 mm	0.508 in	0.508 in	1.53 in	0.984 in	0.05 lb
80163	Metric	3 mm	0.508 in	0.508 in	1.53 in	0.984 in	0.05 lb
80164	Metric	4 mm	0.508 in	0.508 in	1.53 in	0.984 in	0.05 lb
80165	Metric	5 mm	0.508 in	0.508 in	1.53 in	0.984 in	0.05 lb
80166	Metric	6 mm	0.508 in	0.508 in	1.53 in	0.984 in	0.05 lb

### 1/4" Drive Torx® Bit Sockets

- Heat-treated socket base for durability
- S2 steel insert bits offer maximum strength
- Double line (SAE) and knurled (metric) ring help easily identify standard and metric sockets
- Hard stamped size markings
- Bright, full polish chrome finish easily wipes clean and resists corrosion
- Meets or exceeds ASME specifications



Cat. No.	Drive Type	Fastener Size	Dim. A: Drive End	Dim. B: Nose Diameter	Dim. C: Overall Length	Dim. D: Bit Length	Product Weight
80171	Torx®	T8	0.508 in	0.508 in	1.53 in	0.984 in	0.05 lb
80172	Torx®	T10	0.508 in	0.508 in	1.53 in	0.984 in	0.05 lb
80173	Torx®	T15	0.508 in	0.508 in	1.53 in	0.984 in	0.05 lb
80174	Torx®	T20	0.508 in	0.508 in	1.53 in	0.984 in	0.05 lb
80175	Torx®	T25	0.508 in	0.508 in	1.53 in	0.984 in	0.05 lb
80176D	Torx®	T27	0.508 in	0.508 in	1.53 in	0.984 in	0.05 lb
80177D	Torx®	T30	0.508 in	0.508 in	1.53 in	0.984 in	0.05 lb

### 1/4" Drive Stubby Hex Bit Drivers

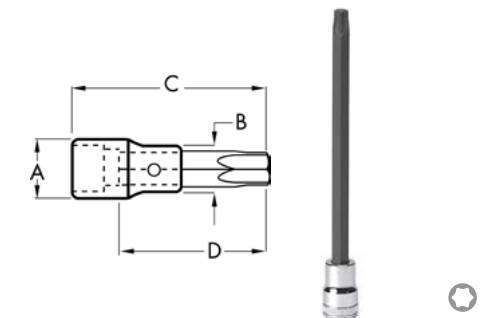
- Short overall length provides better access in tight spaces
- S2 steel for strength and durability
- Hard stamped size markings
- Satin finish for corrosion protection and simple cleaning
- Compact design provides additional access compared to standard bit sockets



Cat. No.	SAE/Metric	Fastener Size	Dim. A: Drive End	Dim. C: Overall Length	Product Weight
81140	SAE	3/32 in	0.472 in	0.98 in	0.02 lb
81141	SAE	7/64 in	0.472 in	0.98 in	0.02 lb
81142	SAE	1/8 in	0.472 in	0.98 in	0.02 lb
81143	SAE	5/32 in	0.472 in	0.98 in	0.02 lb
81144	SAE	3/16 in	0.472 in	0.98 in	0.02 lb
81145	SAE	7/32 in	0.472 in	0.98 in	0.02 lb
81146	SAE	1/4 in	0.472 in	0.98 in	0.03 lb
81147	SAE	5/16 in	0.472 in	0.98 in	0.03 lb
81148	SAE	3/8 in	0.472 in	0.98 in	0.03 lb
81150	Metric	2 mm	0.472 in	0.98 in	0.02 lb
81151	Metric	3 mm	0.472 in	0.98 in	0.02 lb
81152	Metric	4 mm	0.472 in	0.98 in	0.02 lb
81153	Metric	5 mm	0.472 in	0.98 in	0.02 lb
81154	Metric	6 mm	0.472 in	0.98 in	0.02 lb
81155	Metric	7 mm	0.472 in	0.98 in	0.02 lb
81156	Metric	8 mm	0.472 in	0.98 in	0.03 lb
81157	Metric	9 mm	0.472 in	0.98 in	0.03 lb
81158	Metric	10 mm	0.472 in	0.98 in	0.03 lb

### 1/4" Drive Long Torx® Bit Sockets

- Heat-treated socket base for durability
- S2 steel insert bits offer maximum strength
- Double line (SAE) and knurled (metric) ring help easily identify standard and metric sockets
- Hard stamped size markings
- Bright, full polish chrome finish easily wipes clean and resists corrosion
- Meets or exceeds ASME specifications



Cat. No.	Drive Type	Fastener Size	Dim. A: Drive End	Dim. B: Nose Diameter	Dim. C: Overall Length	Dim. D: Bit Length	Product Weight
82510	Torx®	T8	0.508 in	0.508 in	5.98 in	5.393 in	0.125 lb
82511	Torx®	T10	0.508 in	0.508 in	5.98 in	5.393 in	0.125 lb
82512	Torx®	T15	0.508 in	0.508 in	5.98 in	5.393 in	0.15 lb
82513	Torx®	T20	0.508 in	0.508 in	5.98 in	5.393 in	0.15 lb
82514	Torx®	T25	0.508 in	0.508 in	5.98 in	5.393 in	0.15 lb
82515	Torx®	T27	0.508 in	0.508 in	5.98 in	5.393 in	0.15 lb
82516	Torx®	T30	0.508 in	0.508 in	5.98 in	5.393 in	0.18 lb

### 36 Pc. Auto Body TEP Career Builder Add-on Set

- Hammer and Dolly Set – 7 Pc.
- Door Pad and Panel Remover Kit
- 7 piece Hook and Pick set
- Torx® bit socket set
- Specialty Tools – window molding, trim pad remover tools, door handle window lift remover, push pin pliers, scraper tool, and more



\* Please Note: Most tools GEARWRENCH branded. May include other leading Apex Tool Group brands.

Cat. No.	Included Storage	Product Weight
83093	None	26.155 lb

Cat. No.	Description	Cat. No.	Description
2038D	Window Molding Remover	84007	3-1/8" Mini Offset Hook
2106	All-Purpose Scraper and Sticker Remover	84061	20" Door Panel Remover
2311D	Shoe Handle Wire Scratch Brush	84063	Door Panel Remover - Square
-	Putty Knife	84064	Door Panel Remover - V
-	Smooth Faced Cross Chisel Hammer	84065	Trim Pad Tool
-	Smooth Faced Bumping Hammer w/ Square & Round Face	80171	1/4" Drive Torx® Bit Socket T8
-	Crossed Face Shrinking Hammer	80172	1/4" Drive Torx® Bit Socket T10
-	Toe Dolly	80173	1/4" Drive Torx® Bit Socket T15
-	Heel Dolly	80174	1/4" Drive Torx® Bit Socket T20
-	General Purpose Dolly	80175	1/4" Drive Torx® Bit Socket T25
-	Wedge Dolly	80176D	1/4" Drive Torx® Bit Socket T27
3729	Push Pin Removal Pliers - 30°	80177D	1/4" Drive Torx® Bit Socket T30
84001D	5" Cotter Pin Puller	80451	3/8" Drive Torx® Bit Socket T40
84002D	4" Hose Pick Puller	80452	3/8" Drive Torx® Bit Socket T45
84003D	4-1/2" Awl	80453	3/8" Drive Torx® Bit Socket T47
84004D	3-1/8" Mini Full Hook	80454	3/8" Drive Torx® Bit Socket T50
84005	3-1/8" 90° Mini Hook	80455	3/8" Drive Torx® Bit Socket T55
84006	3-1/8" Straight Mini Hook	80667	1/2" Drive Torx® Bit Socket T60

### 257 Pc. Auto TEP Intermediate Set

- 84 tooth 1/4", 3/8" and 1/2" drive ratchets
- Extensions – 1/4", 3/8" and 1/2" drive
- Universal Joints – 1/4", 3/8" and 1/2"
- Sockets – 1/4" and 3/8" drive in standard and deep, SAE and metric, 1/2" drive in standard length SAE and metric
- Wrenches – long pattern combination in SAE and metric
- Screwdrivers – 12 piece set
- Pliers – 7 piece set and Double-X, Punches and Chisels – 12 piece set
- Hex Keys - 22 pieces long arm
- General Purpose Tools – hacksaw, hammers, utility knife, flashlight, locking pliers, safety glasses, tape measure
- Automotive Specialty Tools – low voltage circuit tester, feeler gauge, gasket scraper, screw starters, brake tools, inspection tools, and more



\* Please Note: Most tools GEARWRENCH branded. May include other leading Apex Tool Group brands.

Cat. No.	Included Storage	Product Weight
83095	None	71.000 lb

Cat. No.	Description	Cat. No.	Description
129D	6 & 12 Volt Low Voltage Circuit Tester	82261	1/4" x 4-3/4" Cold Chisel
162D	15 Blade SAE/Metric Feeler Gauge	82262	3/8" x 5" Cold Chisel
2840D	1-1/4" Round Telescopic Magnifying Mirror with Pocket Clip	82264	1/2" x 6" Cold Chisel
2593	25-1/2" Telescoping Magnetic Pickup Tool 1-1/2 lb. Capacity	82265	5/8" x 6-1/2" Cold Chisel
2774D	Universal Brake Shoe Retaining Spring Tool	82270	5/32" x 5" Center Punch
298D	12" Brake Spring Pliers	82272	3/32" x 4-3/4" Pin Punch
3163D	Disc Brake Piston Tool	82273	1/8" x 5" Pin Punch
84083	1" Wide Scraper Long	82274	5/32" x 5-1/4" Pin Punch
WKF2	Quick-Change Folding Blade Utility Knife	82275	3/16" x 5-1/2" Pin Punch
80965	12" Cushion Grip High Tension Hacksaw Frame	82278	1/8" x 8" Long Taper Punch
PHV1316N	3/4" x 16" Hi-Viz® Orange P1000 Tape Measure	82283	3/16" x 5" Starter Punch
83122	125 Lumen Rechargeable Penlight	82285	1/8" x 4-1/2" Starter Punch
-	Safety Glasses	80000	Dual Material Phillips® Screwdriver #0 x 2-1/2"
82012	7" Dual Material Diagonal Cutting Pliers	80001	Dual Material Phillips® Screwdriver #1 x 3"
82013	8" Dual Material Long Nose Pliers	80004	Dual Material Phillips® Screwdriver #1 x 6"
82014	8" Dual Material Slip Joint Pliers	80005	Dual Material Phillips® Screwdriver #2 x 1-1/2"
82025	8" Dual Material Lineman's Pliers	80007	Dual Material Phillips® Screwdriver #2 x 4"
82028	8" Dual Material End Cutting Nipper Pliers	80011	Dual Material Phillips® Screwdriver #3 x 6"
82011	9-1/2" Dual Material Tongue and Groove Pliers	80012D	Dual Material Slotted Screwdriver 1/4" x 1-1/2"
82020D	12" Dual Material Straight Jaw Groove Joint Pliers	80013	Dual Material Slotted Screwdriver 1/4" x 4"
C5CVN	5" Curved Jaw Locking Plier With Wire Cutter	80014	Dual Material Slotted Screwdriver 1/4" x 6"
C6NVN	Long Nose Locking Plier	80018D	Dual Material Slotted Screwdriver 3/16" x 6"
C10CVN	10" Curved Jaw Locking Plier With Wire Cutter	80022	Dual Material Slotted Screwdriver 3/8" x 8"
82005D	Double-X™ Straight Pliers	80023	Dual Material Slotted Screwdriver 5/16" x 6"
2162D	Electrical Wire Stripper and Crimper	2283	5-5/8" Phillips® Screw Starter
3151	Large Universal Convertible Retaining Ring Pliers	2282D	5-5/8" Slotted Screw Starter
82260	12 oz. Soft Face Hammer with Black Comfort Grip Handle	56603G	13 Piece Long Arm SAE Hex Key Set
82251	16 oz. Ball Pein Hammer with Fiberglass Handle	56615G	9 Piece Long Arm Metric Ball-Plus® Hex Key Set
82259	16 oz. Rubber Mallet with Hickory Handle		
82255	3 lb. Drilling Hammer with Fiberglass Handle		

■ continued on next page

## Auto TEP Intermediate Set ■ *continued from previous page*

Cat. No.	Description	Cat. No.	Description
81128	1/4" Drive Spinner Handle 7-3/4"	81304F	1/2" Drive 84 Tooth Teardrop Ratchet 11"
80171	1/4" Drive Torx® Bit Socket T8	81307	1/2" Drive Breaker Bar 15"
80172	1/4" Drive Torx® Bit Socket T10	81113D	1/4" Drive Extension 3"
80173	1/4" Drive Torx® Bit Socket T15	81241	3/8" Drive Extension 3"
80174	1/4" Drive Torx® Bit Socket T20	81242	3/8" Drive Extension 6"
80175	1/4" Drive Torx® Bit Socket T25	81341	1/2" Drive Extension 5"
80176D	1/4" Drive Torx® Bit Socket T27	80100	1/4" Drive Universal Joint
80177D	1/4" Drive Torx® Bit Socket T30	80549	3/8" Drive Universal Joint
80451	3/8" Drive Torx® Bit Socket T40	80600D	1/2" Drive Universal Joint
80452	3/8" Drive Torx® Bit Socket T45	80402	3/8" Drive 6 Point 2-1/2" Spark Plug Socket 5/8"
80453	3/8" Drive Torx® Bit Socket T47	80403	3/8" Drive 6 Point 2-1/2" Spark Plug Socket 13/16"
80454	3/8" Drive Torx® Bit Socket T50	80105	1/4" Drive 6 Point Standard SAE Socket 3/16"
80455	3/8" Drive Torx® Bit Socket T55	80106	1/4" Drive 6 Point Standard SAE Socket 7/32"
80667	1/2" Drive Torx® Bit Socket T60	80107	1/4" Drive 6 Point Standard SAE Socket 1/4"
81650	1/4" 12 Point Long Pattern Combination Wrench	80108	1/4" Drive 6 Point Standard SAE Socket 9/32"
81651D	9/32" 12 Point Long Pattern Combination Wrench	80109	1/4" Drive 6 Point Standard SAE Socket 5/16"
81652D	5/16" 12 Point Long Pattern Combination Wrench	80110	1/4" Drive 6 Point Standard SAE Socket 11/32"
81653	11/32" 12 Point Long Pattern Combination Wrench	80111	1/4" Drive 6 Point Standard SAE Socket 3/8"
81654	3/8" 12 Point Long Pattern Combination Wrench	80112	1/4" Drive 6 Point Standard SAE Socket 7/16"
81655	7/16" 12 Point Long Pattern Combination Wrench	80113D	1/4" Drive 6 Point Standard SAE Socket 1/2"
81656	1/2" 12 Point Long Pattern Combination Wrench	80114D	1/4" Drive 6 Point Standard SAE Socket 9/16"
81657	9/16" 12 Point Long Pattern Combination Wrench	80115	1/4" Drive 6 Point Deep SAE Socket 3/16"
81658	5/8" 12 Point Long Pattern Combination Wrench	80116D	1/4" Drive 6 Point Deep SAE Socket 7/32"
81659	11/16" 12 Point Long Pattern Combination Wrench	80117	1/4" Drive 6 Point Deep SAE Socket 1/4"
81660	3/4" 12 Point Long Pattern Combination Wrench	80118	1/4" Drive 6 Point Deep SAE Socket 9/32"
81661	13/16" 12 Point Long Pattern Combination Wrench	80119	1/4" Drive 6 Point Deep SAE Socket 5/16"
81662	7/8" 12 Point Long Pattern Combination Wrench	80120D	1/4" Drive 6 Point Deep SAE Socket 11/32"
81663	15/16" 12 Point Long Pattern Combination Wrench	80121	1/4" Drive 6 Point Deep SAE Socket 3/8"
81664	1" 12 Point Long Pattern Combination Wrench	80122D	1/4" Drive 6 Point Deep SAE Socket 7/16"
81665	8mm 12 Point Long Pattern Combination Wrench	80123	1/4" Drive 6 Point Deep SAE Socket 1/2"
81666	9mm 12 Point Long Pattern Combination Wrench	80124	1/4" Drive 6 Point Deep SAE Socket 9/16"
81667	10mm 12 Point Long Pattern Combination Wrench	80125	1/4" Drive 6 Point Standard Metric Socket 4mm
81668	11mm 12 Point Long Pattern Combination Wrench	80126	1/4" Drive 6 Point Standard Metric Socket 5mm
81669	12mm 12 Point Long Pattern Combination Wrench	80127	1/4" Drive 6 Point Standard Metric Socket 5.5mm
81670	13mm 12 Point Long Pattern Combination Wrench	80128	1/4" Drive 6 Point Standard Metric Socket 6mm
81671	14mm 12 Point Long Pattern Combination Wrench	80129	1/4" Drive 6 Point Standard Metric Socket 7mm
81672	15mm 12 Point Long Pattern Combination Wrench	80130	1/4" Drive 6 Point Standard Metric Socket 8mm
81673	16mm 12 Point Long Pattern Combination Wrench	80131D	1/4" Drive 6 Point Standard Metric Socket 9mm
81674	17mm 12 Point Long Pattern Combination Wrench	80132	1/4" Drive 6 Point Standard Metric Socket 10mm
81675	18mm 12 Point Long Pattern Combination Wrench	80133	1/4" Drive 6 Point Standard Metric Socket 11mm
81676	19mm 12 Point Long Pattern Combination Wrench	80134	1/4" Drive 6 Point Standard Metric Socket 12mm
81677	20mm 12 Point Long Pattern Combination Wrench	80135D	1/4" Drive 6 Point Standard Metric Socket 13mm
81678	21mm 12 Point Long Pattern Combination Wrench	80136	1/4" Drive 6 Point Standard Metric Socket 14mm
81679	22mm 12 Point Long Pattern Combination Wrench	80137	1/4" Drive 6 Point Standard Metric Socket 15mm
81011F	1/4" Drive 84 Tooth Teardrop Ratchet 5"	80138	1/4" Drive 6 Point Deep Metric Socket 4mm
81211F	3/8" Drive 84 Tooth Teardrop Ratchet 8-1/4"	80139	1/4" Drive 6 Point Deep Metric Socket 5mm

Cat. No.	Description	Cat. No.	Description
80140	1/4" Drive 6 Point Deep Metric Socket 5.5mm	80383	3/8" Drive 6 Point Standard Metric Socket 15mm
80141	1/4" Drive 6 Point Deep Metric Socket 6mm	80384	3/8" Drive 6 Point Standard Metric Socket 16mm
80142	1/4" Drive 6 Point Deep Metric Socket 7mm	80385	3/8" Drive 6 Point Standard Metric Socket 17mm
80143	1/4" Drive 6 Point Deep Metric Socket 8mm	80386	3/8" Drive 6 Point Standard Metric Socket 18mm
80144	1/4" Drive 6 Point Deep Metric Socket 9mm	80387	3/8" Drive 6 Point Standard Metric Socket 19mm
80145	1/4" Drive 6 Point Deep Metric Socket 10mm	80388	3/8" Drive 6 Point Deep Metric Socket 6mm
80146D	1/4" Drive 6 Point Deep Metric Socket 11mm	80389	3/8" Drive 6 Point Deep Metric Socket 7mm
80147	1/4" Drive 6 Point Deep Metric Socket 12mm	80390	3/8" Drive 6 Point Deep Metric Socket 8mm
80148	1/4" Drive 6 Point Deep Metric Socket 13mm	80391	3/8" Drive 6 Point Deep Metric Socket 9mm
80149	1/4" Drive 6 Point Deep Metric Socket 14mm	80392	3/8" Drive 6 Point Deep Metric Socket 10mm
80150	1/4" Drive 6 Point Deep Metric Socket 15mm	80393D	3/8" Drive 6 Point Deep Metric Socket 11mm
80350	3/8" Drive 6 Point Standard SAE Socket 1/4"	80394D	3/8" Drive 6 Point Deep Metric Socket 12mm
80351	3/8" Drive 6 Point Standard SAE Socket 5/16"	80395	3/8" Drive 6 Point Deep Metric Socket 13mm
80352	3/8" Drive 6 Point Standard SAE Socket 3/8"	80396	3/8" Drive 6 Point Deep Metric Socket 14mm
80353	3/8" Drive 6 Point Standard SAE Socket 7/16"	80397	3/8" Drive 6 Point Deep Metric Socket 15mm
80354	3/8" Drive 6 Point Standard SAE Socket 1/2"	80398	3/8" Drive 6 Point Deep Metric Socket 16mm
80355	3/8" Drive 6 Point Standard SAE Socket 9/16"	80399	3/8" Drive 6 Point Deep Metric Socket 17mm
80356	3/8" Drive 6 Point Standard SAE Socket 5/8"	80400	3/8" Drive 6 Point Deep Metric Socket 18mm
80357	3/8" Drive 6 Point Standard SAE Socket 11/16"	80401	3/8" Drive 6 Point Deep Metric Socket 19mm
80358	3/8" Drive 6 Point Standard SAE Socket 3/4"	80603	1/2" Drive 6 Point Standard SAE Socket 1/2"
80359	3/8" Drive 6 Point Standard SAE Socket 13/16"	80604	1/2" Drive 6 Point Standard SAE Socket 9/16"
80360	3/8" Drive 6 Point Standard SAE Socket 7/8"	80605	1/2" Drive 6 Point Standard SAE Socket 5/8"
80361	3/8" Drive 6 Point Standard SAE Socket 15/16"	80606	1/2" Drive 6 Point Standard SAE Socket 11/16"
80362	3/8" Drive 6 Point Standard SAE Socket 1"	80607D	1/2" Drive 6 Point Standard SAE Socket 3/4"
80363	3/8" Drive 6 Point Deep SAE Socket 1/4"	80608	1/2" Drive 6 Point Standard SAE Socket 13/16"
80364	3/8" Drive 6 Point Deep SAE Socket 5/16"	80609	1/2" Drive 6 Point Standard SAE Socket 7/8"
80365	3/8" Drive 6 Point Deep SAE Socket 3/8"	80610D	1/2" Drive 6 Point Standard SAE Socket 15/16"
80366	3/8" Drive 6 Point Deep SAE Socket 7/16"	80611	1/2" Drive 6 Point Standard SAE Socket 1"
80367	3/8" Drive 6 Point Deep SAE Socket 1/2"	80612	1/2" Drive 6 Point Standard SAE Socket 1-1/16"
80368	3/8" Drive 6 Point Deep SAE Socket 9/16"	80613	1/2" Drive 6 Point Standard SAE Socket 1-1/8"
80369	3/8" Drive 6 Point Deep SAE Socket 5/8"	80624	1/2" Drive 6 Point Standard Metric Socket 12mm
80370D	3/8" Drive 6 Point Deep SAE Socket 11/16"	80625	1/2" Drive 6 Point Standard Metric Socket 13mm
80371	3/8" Drive 6 Point Deep SAE Socket 3/4"	80626D	1/2" Drive 6 Point Standard Metric Socket 14mm
80372	3/8" Drive 6 Point Deep SAE Socket 13/16"	80627	1/2" Drive 6 Point Standard Metric Socket 15mm
80373	3/8" Drive 6 Point Deep SAE Socket 7/8"	80628	1/2" Drive 6 Point Standard Metric Socket 16mm
80374	3/8" Drive 6 Point Standard Metric Socket 6mm	80629	1/2" Drive 6 Point Standard Metric Socket 17mm
80375	3/8" Drive 6 Point Standard Metric Socket 7mm	80630	1/2" Drive 6 Point Standard Metric Socket 18mm
80376	3/8" Drive 6 Point Standard Metric Socket 8mm	80631	1/2" Drive 6 Point Standard Metric Socket 19mm
80377	3/8" Drive 6 Point Standard Metric Socket 9mm	80632	1/2" Drive 6 Point Standard Metric Socket 20mm
80378	3/8" Drive 6 Point Standard Metric Socket 10mm	80633	1/2" Drive 6 Point Standard Metric Socket 21mm
80379	3/8" Drive 6 Point Standard Metric Socket 11mm	80634	1/2" Drive 6 Point Standard Metric Socket 22mm
80380	3/8" Drive 6 Point Standard Metric Socket 12mm	80635	1/2" Drive 6 Point Standard Metric Socket 23mm
80381	3/8" Drive 6 Point Standard Metric Socket 13mm	80636D	1/2" Drive 6 Point Standard Metric Socket 24mm
80382	3/8" Drive 6 Point Standard Metric Socket 14mm		

## 257 Pc. Diesel TEP Intermediate Set

- 84 tooth 1/4", 3/8" and 1/2" drive ratchets
- Extensions – 1/4", 3/8" and 1/2" drive
- Universal Joints – 1/4", 3/8" and 1/2"
- Sockets – 1/4" drive SAE and metric, 3/8" drive and 1/2" drive in standard and deep, SAE and metric
- Wrenches – long pattern combination in SAE and metric
- Screwdrivers – 12 piece set, Torx® bit sockets – 13 piece set
- Pliers – 4 Pc. Set and Double-X™, Punches and Chisels – 12 piece set
- Hex Keys - 22 pieces long arm
- General Purpose Tools – extendable pry bar, hacksaw, hammers, utility knife, flashlight, locking pliers, safety glasses, tape measure
- Automotive Specialty Tools – low voltage circuit tester, feeler gauge, gasket scraper, inspection tools, wire stripper/crimper and more



\* Please Note: Most tools GEARWRENCH branded. May include other leading Apex Tool Group brands.

Cat. No.	Included Storage	Product Weight
83096	None	87.500 lb

Cat. No.	Description	Cat. No.	Description
129D	6 & 12 Volt Low Voltage Circuit Tester	82278	1/8" x 8" Long Taper Punch
162D	15 Blade SAE/Metric Feeler Gauge	82270	5/32" x 5" Center Punch
2162D	Electrical Wire Stripper and Crimper	82283	3/16" x 5" Starter Punch
2593	25-1/2" Telescoping Magnetic Pickup Tool 1-1/2 lb. Capacity	82285	1/8" x 4-1/2" Starter Punch
2840D	1-1/4" Round Telescoping Magnifying Mirror with Pocket Clip	82261	1/4" x 4-3/4" Cold Chisel
84083	1" Wide Scraper Long	82262	3/8" x 5" Cold Chisel
WKF2	Quick-Change Folding Blade Utility Knife	82264	1/2" x 6" Cold Chisel
83122	125 Lumen Rechargeable Penlight	82265	5/8" x 6-1/2" Cold Chisel
PHV1316N	3/4" x 16' Hi-Viz® Orange P1000 Tape Measure	80004	Dual Material Phillips® Screwdriver #1 x 6"
-	Safety Glasses	80005	Dual Material Phillips® Screwdriver #2 x 1-1/2"
80965	12" Cushion Grip High Tension Hacksaw Frame	80007	Dual Material Phillips® Screwdriver #2 x 4"
82220	13/16" x 33" Extendable Indexing Pry Bar	80011	Dual Material Phillips® Screwdriver #3 x 6"
82012	7" Dual Material Diagonal Cutting Pliers	80000	Dual Material Phillips® Screwdriver #0 x 2-1/2"
82013	8" Dual Material Long Nose Pliers	80012D	Dual Material Slotted Screwdriver 1/4" x 1-1/2"
82014	8" Dual Material Slip Joint Pliers	80001	Dual Material Phillips® Screwdriver #1 x 3"
82011	9-1/2" Dual Material Tongue and Groove Pliers	80013	Dual Material Slotted Screwdriver 1/4" x 4"
82005D	Double-X™ Straight Pliers	80014	Dual Material Slotted Screwdriver 1/4" x 6"
C5CVN	5" Curved Jaw Locking Plier With Wire Cutter	80018D	Dual Material Slotted Screwdriver 3/16" x 6"
C6NVN	Long Nose Locking Plier	80022	Dual Material Slotted Screwdriver 3/8" x 8"
C10CVN	10" Curved Jaw Locking Plier With Wire Cutter	80023	Dual Material Slotted Screwdriver 5/16" x 6"
82251	16 oz. Ball Pein Hammer with Fiberglass Handle	2283	5-5/8" Phillips® Screw Starter
82255	3 lb. Drilling Hammer with Fiberglass Handle	2282D	5-5/8" Slotted Screw Starter
82259	16 oz. Rubber Mallet with Hickory Handle	56603G	13 Piece Long Arm SAE Hex Key Set
82260	12 oz. Soft Face Hammer with Black Comfort Grip Handle	56615G	9 Piece Long Arm Metric Ball-Plus® Hex Key Set
82272	3/32" x 4-3/4" Pin Punch	81128	1/4" Drive Spinner Handle 7-3/4"
82273	1/8" x 5" Pin Punch	80171	1/4" Drive Torx® Bit Socket T8
82274	5/32" x 5-1/4" Pin Punch	80172	1/4" Drive Torx® Bit Socket T10
82275	3/16" x 5-1/2" Pin Punch	80173	1/4" Drive Torx® Bit Socket T15

Cat. No.	Description	Cat. No.	Description
80174	1/4" Drive Torx® Bit Socket T20	81744	30mm 12 Point Long Pattern Combination Wrench
80175	1/4" Drive Torx® Bit Socket T25	81745D	32mm 12 Point Long Pattern Combination Wrench
80176D	1/4" Drive Torx® Bit Socket T27	81011F	1/4" Drive 84 Tooth Teardrop Ratchet 5"
80177D	1/4" Drive Torx® Bit Socket T30	81211F	3/8" Drive 84 Tooth Teardrop Ratchet 8-1/4"
80451	3/8" Drive Torx® Bit Socket T40	81304F	1/2" Drive 84 Tooth Teardrop Ratchet 11"
80452	3/8" Drive Torx® Bit Socket T45	81307	1/2" Drive Breaker Bar 15"
80453	3/8" Drive Torx® Bit Socket T47	81113D	1/4" Drive Extension 3"
80454	3/8" Drive Torx® Bit Socket T50	81241	3/8" Drive Extension 3"
80455	3/8" Drive Torx® Bit Socket T55	81242	3/8" Drive Extension 6"
80667	1/2" Drive Torx® Bit Socket T60	81341	1/2" Drive Extension 5"
81650	1/4" 12 Point Long Pattern Combination Wrench	81342	1/2" Drive Extension 10"
81651D	9/32" 12 Point Long Pattern Combination Wrench	80100	1/4" Drive Universal Joint
81652D	5/16" 12 Point Long Pattern Combination Wrench	80549	3/8" Drive Universal Joint
81653	11/32" 12 Point Long Pattern Combination Wrench	80600D	1/2" Drive Universal Joint
81654	3/8" 12 Point Long Pattern Combination Wrench	80402	3/8" Drive 6 Point 2-1/2" Spark Plug Socket 5/8"
81655	7/16" 12 Point Long Pattern Combination Wrench	80403	3/8" Drive 6 Point 2-1/2" Spark Plug Socket 13/16"
81656	1/2" 12 Point Long Pattern Combination Wrench	80105	1/4" Drive 6 Point Standard SAE Socket 3/16"
81657	9/16" 12 Point Long Pattern Combination Wrench	80106	1/4" Drive 6 Point Standard SAE Socket 7/32"
81658	5/8" 12 Point Long Pattern Combination Wrench	80107	1/4" Drive 6 Point Standard SAE Socket 1/4"
81659	11/16" 12 Point Long Pattern Combination Wrench	80108	1/4" Drive 6 Point Standard SAE Socket 9/32"
81660	3/4" 12 Point Long Pattern Combination Wrench	80109	1/4" Drive 6 Point Standard SAE Socket 5/16"
81661	13/16" 12 Point Long Pattern Combination Wrench	80110	1/4" Drive 6 Point Standard SAE Socket 11/32"
81662	7/8" 12 Point Long Pattern Combination Wrench	80111	1/4" Drive 6 Point Standard SAE Socket 3/8"
81663	15/16" 12 Point Long Pattern Combination Wrench	80112	1/4" Drive 6 Point Standard SAE Socket 7/16"
81664	1" 12 Point Long Pattern Combination Wrench	80113D	1/4" Drive 6 Point Standard SAE Socket 1/2"
81733	1-1/16" 12 Point Long Pattern Combination Wrench	80114D	1/4" Drive 6 Point Standard SAE Socket 9/16"
81734	1-1/8" 12 Point Long Pattern Combination Wrench	80125	1/4" Drive 6 Point Standard Metric Socket 4mm
81735	1-1/4" 12 Point Long Pattern Combination Wrench	80126	1/4" Drive 6 Point Standard Metric Socket 5mm
81736	6mm 12 Point Long Pattern Combination Wrench	80127	1/4" Drive 6 Point Standard Metric Socket 5.5mm
81737	7mm 12 Point Long Pattern Combination Wrench	80128	1/4" Drive 6 Point Standard Metric Socket 6mm
81665	8mm 12 Point Long Pattern Combination Wrench	80129	1/4" Drive 6 Point Standard Metric Socket 7mm
81666	9mm 12 Point Long Pattern Combination Wrench	80130	1/4" Drive 6 Point Standard Metric Socket 8mm
81667	10mm 12 Point Long Pattern Combination Wrench	80131D	1/4" Drive 6 Point Standard Metric Socket 9mm
81668	11mm 12 Point Long Pattern Combination Wrench	80132	1/4" Drive 6 Point Standard Metric Socket 10mm
81669	12mm 12 Point Long Pattern Combination Wrench	80133	1/4" Drive 6 Point Standard Metric Socket 11mm
81670	13mm 12 Point Long Pattern Combination Wrench	80134	1/4" Drive 6 Point Standard Metric Socket 12mm
81671	14mm 12 Point Long Pattern Combination Wrench	80135D	1/4" Drive 6 Point Standard Metric Socket 13mm
81672	15mm 12 Point Long Pattern Combination Wrench	80136	1/4" Drive 6 Point Standard Metric Socket 14mm
81673	16mm 12 Point Long Pattern Combination Wrench	80137	1/4" Drive 6 Point Standard Metric Socket 15mm
81674	17mm 12 Point Long Pattern Combination Wrench	80350	3/8" Drive 6 Point Standard SAE Socket 1/4"
81675	18mm 12 Point Long Pattern Combination Wrench	80351	3/8" Drive 6 Point Standard SAE Socket 5/16"
81676	19mm 12 Point Long Pattern Combination Wrench	80352	3/8" Drive 6 Point Standard SAE Socket 3/8"
81677	20mm 12 Point Long Pattern Combination Wrench	80353	3/8" Drive 6 Point Standard SAE Socket 7/16"
81678	21mm 12 Point Long Pattern Combination Wrench	80354	3/8" Drive 6 Point Standard SAE Socket 1/2"
81679	22mm 12 Point Long Pattern Combination Wrench	80355	3/8" Drive 6 Point Standard SAE Socket 9/16"
81741	23mm 12 Point Long Pattern Combination Wrench	80356	3/8" Drive 6 Point Standard SAE Socket 5/8"
81742	24mm 12 Point Long Pattern Combination Wrench	80357	3/8" Drive 6 Point Standard SAE Socket 11/16"
81743	27mm 12 Point Long Pattern Combination Wrench		

■ continued on next page