

### 613 Pc. Master Mechanics Hand Tool Set

- Comprehensive 613 piece set mix of mechanics hand tools including drive tools, sockets, bit sockets, wrenches, ratcheting wrenches, pliers and screwdrivers
- 84 tooth full polish chrome ratchets with slim head design provides additional access to hard to reach fasteners
- 72 tooth ratcheting wrenches with a 5° swing arc with off-corner loading design on box end provides better grip and reduces fastener rounding
- Flex head ratcheting wrenches with flex head that tilts up to 180 degrees at any interval
- Reversible ratcheting wrenches with compact reversing lever allows for quick changes without removing ratcheting box end from fastener
- Tri-lobe ergonomic dual material handle Phillips® and slotted screwdrivers for optimal balance of strength and comfort
- Precision engineered hex and ball-end hex bit sockets with bits made of S2 steel for added strength and better fastener fit
- Professional assortment of ergonomic dipped grip handle pliers with tongue and groove, slip joint, lineman's, diagonal, long nose, and end nippers included



Cat. No.	Included Storage	Product Weight
89060	None	167.892 lb



Cat. No.	Description	Cat. No.	Description
81011F	1/4" Drive 84 Tooth Teardrop Ratchet 5"	81278	3/8" Drive 3/8" F x 1/2" M Adapter
81012F	1/4" Drive 84 Tooth Flex Head Teardrop Ratchet 7"	81354	1/2" Drive 1/2" F x 3/8" M Adapter
81027	1/4" Drive 72 Tooth Gimbal Ratchet	9008	1/4" 12 Point Ratcheting Combination Wrench
81211F	3/8" Drive 84 Tooth Teardrop Ratchet 8-1/4"	9010D	5/16" 12 Point Ratcheting Combination Wrench
81215F	3/8" Drive 84 Tooth Flex Head Teardrop Ratchet 11-1/2"	9012D	3/8" 12 Point Ratcheting Combination Wrench
81212F	3/8" Drive 84 Tooth Stubby Flex Head Teardrop Ratchet 5"	9014	7/16" 12 Point Ratcheting Combination Wrench
81270	3/8" Drive 72 Tooth Gimbal Ratchet	9016D	1/2" 12 Point Ratcheting Combination Wrench
81304F	1/2" Drive 84 Tooth Teardrop Ratchet 11"	9018D	9/16" 12 Point Ratcheting Combination Wrench
81306F	1/2" Drive 84 Tooth Flex Head Teardrop Ratchet 17"	9020	5/8" 12 Point Ratcheting Combination Wrench
80100	1/4" Drive Universal Joint	9022	11/16" 12 Point Ratcheting Combination Wrench
80549	3/8" Drive Universal Joint	9024	3/4" 12 Point Ratcheting Combination Wrench
80600D	1/2" Drive Universal Joint	9026D	13/16" 12 Point Ratcheting Combination Wrench
81101	1/4" Drive Extension 2"	9108D	8mm 12 Point Ratcheting Combination Wrench
81113D	1/4" Drive Extension 3"	9109	9mm 12 Point Ratcheting Combination Wrench
81114D	1/4" Drive Extension 4"	9110D	10mm 12 Point Ratcheting Combination Wrench
81116	1/4" Drive Extension 6"	9111	11mm 12 Point Ratcheting Combination Wrench
81118	1/4" Drive Extension 14"	9112	12mm 12 Point Ratcheting Combination Wrench
81240	3/8" Drive Extension 1-1/2"	9113D	13mm 12 Point Ratcheting Combination Wrench
81241	3/8" Drive Extension 3"	9114D	14mm 12 Point Ratcheting Combination Wrench
81242	3/8" Drive Extension 3"	9115D	15mm 12 Point Ratcheting Combination Wrench
81244	3/8" Drive Extension 12"	9116D	16mm 12 Point Ratcheting Combination Wrench
81341	1/2" Drive Extension 5"	9117D	17mm 12 Point Ratcheting Combination Wrench
81342	1/2" Drive Extension 10"	-	5/16" 12 Point Stubby Ratcheting Combination Wrench
81343	1/2" Drive Extension 15"	9500DD	3/8" 12 Point Stubby Ratcheting Combination Wrench
81127	1/4" Drive 1/4" F x 3/8" M Adapter	9501DD	7/16" 12 Point Stubby Ratcheting Combination Wrench
81277	3/8" Drive 3/8" F x 1/4" M Adapter	9502D	1/2" 12 Point Stubby Ratcheting Combination Wrench

Cat. No.	Description	Cat. No.	Description
9503D	9/16" 12 Point Stubby Ratcheting Combination Wrench	81662	7/8" 12 Point Long Pattern Combination Wrench
9504D	5/8" 12 Point Stubby Ratcheting Combination Wrench	81663	15/16" 12 Point Long Pattern Combination Wrench
9510DD	10mm 12 Point Stubby Ratcheting Combination Wrench	81664	1" 12 Point Long Pattern Combination Wrench
9511D	11mm 12 Point Stubby Ratcheting Combination Wrench	81733	1-1/16" 12 Point Long Pattern Combination Wrench
9512D	12mm 12 Point Stubby Ratcheting Combination Wrench	81734	1-1/8" 12 Point Long Pattern Combination Wrench
9513D	13mm 12 Point Stubby Ratcheting Combination Wrench	81735	1-1/4" 12 Point Long Pattern Combination Wrench
9514D	14mm 12 Point Stubby Ratcheting Combination Wrench	81749	1-5/16" 12 Point Long Pattern Combination Wrench
9515D	15mm 12 Point Stubby Ratcheting Combination Wrench	81750	1-1/2" 12 Point Long Pattern Combination Wrench
9526ND	3/8" 12 Point Reversible Ratcheting Combination Wrench	81736	6mm 12 Point Long Pattern Combination Wrench
9527N	7/16" 12 Point Reversible Ratcheting Combination Wrench	81737	7mm 12 Point Long Pattern Combination Wrench
9528N	1/2" 12 Point Reversible Ratcheting Combination Wrench	81665	8mm 12 Point Long Pattern Combination Wrench
9529N	9/16" 12 Point Reversible Ratcheting Combination Wrench	81666	9mm 12 Point Long Pattern Combination Wrench
9530ND	5/8" 12 Point Reversible Ratcheting Combination Wrench	81667	10mm 12 Point Long Pattern Combination Wrench
9531ND	11/16" 12 Point Reversible Ratcheting Combination Wrench	81668	11mm 12 Point Long Pattern Combination Wrench
9532N	3/4" 12 Point Reversible Ratcheting Combination Wrench	81669	12mm 12 Point Long Pattern Combination Wrench
9610N	10mm 12 Point Reversible Ratcheting Combination Wrench	81670	13mm 12 Point Long Pattern Combination Wrench
9612N	12mm 12 Point Reversible Ratcheting Combination Wrench	81671	14mm 12 Point Long Pattern Combination Wrench
9613N	13mm 12 Point Reversible Ratcheting Combination Wrench	81672	15mm 12 Point Long Pattern Combination Wrench
9614N	14mm 12 Point Reversible Ratcheting Combination Wrench	81673	16mm 12 Point Long Pattern Combination Wrench
9615N	15mm 12 Point Reversible Ratcheting Combination Wrench	81674	17mm 12 Point Long Pattern Combination Wrench
9617N	17mm 12 Point Reversible Ratcheting Combination Wrench	81675	18mm 12 Point Long Pattern Combination Wrench
9619N	19mm 12 Point Reversible Ratcheting Combination Wrench	81676	19mm 12 Point Long Pattern Combination Wrench
9706	3/8" 12 Point Flex Ratcheting Combination Wrench	81677	20mm 12 Point Long Pattern Combination Wrench
9707	7/16" 12 Point Flex Ratcheting Combination Wrench	81678	21mm 12 Point Long Pattern Combination Wrench
9708	1/2" 12 Point Flex Ratcheting Combination Wrench	81679	22mm 12 Point Long Pattern Combination Wrench
9709	9/16" 12 Point Flex Ratcheting Combination Wrench	81741	23mm 12 Point Long Pattern Combination Wrench
9710	5/8" 12 Point Flex Ratcheting Combination Wrench	81742	24mm 12 Point Long Pattern Combination Wrench
9711	11/16" 12 Point Flex Ratcheting Combination Wrench	81751	25mm 12 Point Long Pattern Combination Wrench
9712	3/4" 12 Point Flex Ratcheting Combination Wrench	81752	26mm 12 Point Long Pattern Combination Wrench
9910D	10mm 12 Point Flex Ratcheting Combination Wrench	81743	27mm 12 Point Long Pattern Combination Wrench
9912D	12mm 12 Point Flex Ratcheting Combination Wrench	81753	28mm 12 Point Long Pattern Combination Wrench
9913D	13mm 12 Point Flex Ratcheting Combination Wrench	81744	30mm 12 Point Long Pattern Combination Wrench
9914D	14mm 12 Point Flex Ratcheting Combination Wrench	81745D	32mm 12 Point Long Pattern Combination Wrench
9915D	15mm 12 Point Flex Ratcheting Combination Wrench	80105	1/4" Drive 6 Point Standard SAE Socket 3/16"
9917	17mm 12 Point Flex Ratcheting Combination Wrench	80106	1/4" Drive 6 Point Standard SAE Socket 7/32"
9919D	19mm 12 Point Flex Ratcheting Combination Wrench	80107	1/4" Drive 6 Point Standard SAE Socket 1/4"
81650	1/4" 12 Point Long Pattern Combination Wrench	80108	1/4" Drive 6 Point Standard SAE Socket 9/32"
81652D	5/16" 12 Point Long Pattern Combination Wrench	80109	1/4" Drive 6 Point Standard SAE Socket 5/16"
81653	11/32" 12 Point Long Pattern Combination Wrench	80110	1/4" Drive 6 Point Standard SAE Socket 11/32"
81654	3/8" 12 Point Long Pattern Combination Wrench	80111	1/4" Drive 6 Point Standard SAE Socket 3/8"
81655	7/16" 12 Point Long Pattern Combination Wrench	80112	1/4" Drive 6 Point Standard SAE Socket 7/16"
81656	1/2" 12 Point Long Pattern Combination Wrench	80113D	1/4" Drive 6 Point Standard SAE Socket 1/2"
81657	9/16" 12 Point Long Pattern Combination Wrench	80114D	1/4" Drive 6 Point Standard SAE Socket 9/16"
81658	5/8" 12 Point Long Pattern Combination Wrench	80125	1/4" Drive 6 Point Standard Metric Socket 4mm
81659	11/16" 12 Point Long Pattern Combination Wrench	80126	1/4" Drive 6 Point Standard Metric Socket 5mm
81660	3/4" 12 Point Long Pattern Combination Wrench	80127	1/4" Drive 6 Point Standard Metric Socket 5.5mm
81661	13/16" 12 Point Long Pattern Combination Wrench	80128	1/4" Drive 6 Point Standard Metric Socket 6mm

Continued on next page

### 120XP™ Universal Spline XL Flex Combination Ratcheting Wrenches

Continued from previous page

Cat. No.	SAE/Metric	Fastener Size	End A Width	End A Thickness	End B Width	End B Thickness	Overall Length	Product Weight
86237	SAE	7/16 in	.91 in	.22 in	.87 in	.3 in	7.68 in	0.200 lb
86238	SAE	1/2 in	1.02 in	.25 in	1 in	.34 in	8.66 in	0.300 lb
86239	SAE	9/16 in	1.16 in	.27 in	1.1 in	.37 in	9.25 in	0.380 lb
86240	SAE	5/8 in	1.31 in	.3 in	1.22 in	.41 in	10.24 in	0.430 lb
86241	SAE	11/16 in	1.42 in	.32 in	1.24 in	.42 in	10.83 in	0.490 lb
86242	SAE	3/4 in	1.56 in	.35 in	1.39 in	.44 in	12.01 in	0.760 lb
86208	Metric	8 mm	0.65 in	0.18 in	0.67 in	0.27 in	5.91 in	0.130 lb
86209	Metric	9 mm	0.73 in	0.19 in	0.74 in	0.27 in	6.5 in	0.140 lb
86210	Metric	10 mm	0.81 in	0.21 in	0.81 in	0.29 in	7.09 in	0.160 lb
86211	Metric	11 mm	0.91 in	0.22 in	0.87 in	0.3 in	6.5 in	0.200 lb
86212	Metric	12 mm	0.96 in	0.24 in	0.92 in	0.32 in	8.15 in	0.275 lb
86213	Metric	13 mm	1.02 in	0.25 in	1 in	0.34 in	8.66 in	0.260 lb
86214	Metric	14 mm	1.16 in	0.27 in	1.1 in	0.37 in	9.25 in	0.360 lb
86215	Metric	15 mm	1.26 in	0.29 in	1.15 in	0.39 in	9.84 in	0.455 lb
86216	Metric	16 mm	1.31 in	0.3 in	1.22 in	0.41 in	10.24 in	0.500 lb
86217	Metric	17 mm	1.42 in	0.32 in	1.24 in	0.42 in	10.83 in	0.550 lb
86218	Metric	18 mm	1.49 in	0.33 in	1.28 in	0.44 in	11.42 in	0.650 lb
86219	Metric	19 mm	1.56 in	0.35 in	1.39 in	0.44 in	12.01 in	0.720 lb

### 14 Pc. 12 Point SAE/Metric Flex Combination Ratcheting Wrench Set

- 72 tooth ratcheting box end needs a minimal 5° to move fasteners vs. 30° for standard wrenches
- Flexible head provides access to hard-to-reach bolts and fasteners
- Off-corner loading design on box end provides better grip and reduces fastener rounding
- Meets or exceeds ASME and ANSI specifications
- Bright, full polish chrome finish easily wipes clean and resists corrosion
- Included tray for storage and organization



Cat. No.	Included Storage	Product Weight
85141	Tray	5.940 lb

Cat. No.	Description	Cat. No.	Description
9706	3/8" 12 Point Flex Ratcheting Combination Wrench	9910D	10mm 12 Point Flex Ratcheting Combination Wrench
9707	7/16" 12 Point Flex Ratcheting Combination Wrench	9912D	12mm 12 Point Flex Ratcheting Combination Wrench
9708	1/2" 12 Point Flex Ratcheting Combination Wrench	9913D	13mm 12 Point Flex Ratcheting Combination Wrench
9709	9/16" 12 Point Flex Ratcheting Combination Wrench	9914D	14mm 12 Point Flex Ratcheting Combination Wrench
9710	5/8" 12 Point Flex Ratcheting Combination Wrench	9915D	15mm 12 Point Flex Ratcheting Combination Wrench
9711	11/16" 12 Point Flex Ratcheting Combination Wrench	9917	17mm 12 Point Flex Ratcheting Combination Wrench
9712	3/4" 12 Point Flex Ratcheting Combination Wrench	9919D	19mm 12 Point Flex Ratcheting Combination Wrench

### 13 Pc. 12 Point SAE Flex Combination Ratcheting Wrench Set

- 72 tooth ratcheting box end needs a minimal 5° to move fasteners vs. 30° for standard wrenches
- Off-corner loading design on box end provides better grip and reduces fastener rounding
- Thin head and beam provide greater access in confined work areas
- Flexible head provides access to hard-to-reach bolts and fasteners
- Size conveniently stamped on both ends of the beam for quick identification
- Manufactured from alloy steel for better strength and longer tool life
- Bright, full polish chrome finish easily wipes clean and resists corrosion
- Meets or exceeds ASME and ANSI specifications
- Included rack for storage and organization



Cat. No.	Included Storage	Product Weight
9702D	Wrench Rack	7.20 lb

Cat. No.	Description	Cat. No.	Description
9705	5/16" 12 Point Flex Ratcheting Combination Wrench	9711	11/16" 12 Point Flex Ratcheting Combination Wrench
9704D	11/32" 12 Point Flex Ratcheting Combination Wrench	9712	3/4" 12 Point Flex Ratcheting Combination Wrench
9706	3/8" 12 Point Flex Ratcheting Combination Wrench	9713	13/16" 12 Point Flex Ratcheting Combination Wrench
9707	7/16" 12 Point Flex Ratcheting Combination Wrench	9714D	7/8" 12 Point Flex Ratcheting Combination Wrench
9708	1/2" 12 Point Flex Ratcheting Combination Wrench	9715D	15/16" 12 Point Flex Ratcheting Combination Wrench
9709	9/16" 12 Point Flex Ratcheting Combination Wrench	9716D	1" 12 Point Flex Ratcheting Combination Wrench
9710	5/8" 12 Point Flex Ratcheting Combination Wrench		

### 10 Pc. 12 Point SAE Flex Combination Ratcheting Wrench Set

- 72 tooth ratcheting box end needs a minimal 5° to move fasteners vs. 30° for standard wrenches
- Off-corner loading design on box end provides better grip and reduces fastener rounding
- Thin head and beam provide greater access in confined work areas
- Flexible head provides access to hard-to-reach bolts and fasteners
- Size conveniently stamped on both ends of the beam for quick identification
- Manufactured from alloy steel for better strength and longer tool life
- Bright, full polish chrome finish easily wipes clean and resists corrosion
- Meets or exceeds ASME and ANSI specifications
- Included tool roll for storage and organization



Cat. No.	Included Storage	Product Weight
85893	Tool Roll	5.510 lb

Cat. No.	Description	Cat. No.	Description
9705	5/16" 12 Point Flex Ratcheting Combination Wrench	9710	5/8" 12 Point Flex Ratcheting Combination Wrench
9706	3/8" 12 Point Flex Ratcheting Combination Wrench	9711	11/16" 12 Point Flex Ratcheting Combination Wrench
9707	7/16" 12 Point Flex Ratcheting Combination Wrench	9712	3/4" 12 Point Flex Ratcheting Combination Wrench
9708	1/2" 12 Point Flex Ratcheting Combination Wrench	9713	13/16" 12 Point Flex Ratcheting Combination Wrench
9709	9/16" 12 Point Flex Ratcheting Combination Wrench	9714D	7/8" 12 Point Flex Ratcheting Combination Wrench

### 8 Pc. 12 Point SAE Flex Combination Ratcheting Wrench Set

- 72 tooth ratcheting box end needs a minimal 5° to move fasteners vs. 30° for standard wrenches
- Off-corner loading design on box end provides better grip and reduces fastener rounding
- Thin head and beam provide greater access in confined work areas
- Flexible head provides access to hard-to-reach bolts and fasteners
- Size conveniently stamped on both ends of the beam for quick identification
- Manufactured from alloy steel for better strength and longer tool life
- Bright, full polish chrome finish easily wipes clean and resists corrosion
- Meets or exceeds ASME and ANSI specifications
- Included rack for storage and organization



Cat. No.	Included Storage	Product Weight
9701	Wrench Rack	2.46 lb

Cat. No.	Description	Cat. No.	Description
9705	5/16" 12 Point Flex Ratcheting Combination Wrench	9709	9/16" 12 Point Flex Ratcheting Combination Wrench
9706	3/8" 12 Point Flex Ratcheting Combination Wrench	9710	5/8" 12 Point Flex Ratcheting Combination Wrench
9707	7/16" 12 Point Flex Ratcheting Combination Wrench	9711	11/16" 12 Point Flex Ratcheting Combination Wrench
9708	1/2" 12 Point Flex Ratcheting Combination Wrench	9712	3/4" 12 Point Flex Ratcheting Combination Wrench

### 7 Pc. 12 Point SAE Flex Combination Ratcheting Wrench Set

- 72 tooth ratcheting box end needs a minimal 5° to move fasteners vs. 30° for standard wrenches
- Off-corner loading design on box end provides better grip and reduces fastener rounding
- Thin head and beam provide greater access in confined work areas
- Flexible head provides access to hard-to-reach bolts and fasteners
- Size conveniently stamped on both ends of the beam for quick identification
- Manufactured from alloy steel for better strength and longer tool life
- Bright, full polish chrome finish easily wipes clean and resists corrosion
- Meets or exceeds ASME and ANSI specifications
- Included tray for storage and organization



Cat. No.	Included Storage	Product Weight
9700	Tray	2.86 lb

Cat. No.	Description	Cat. No.	Description
9706	3/8" 12 Point Flex Ratcheting Combination Wrench	9710	5/8" 12 Point Flex Ratcheting Combination Wrench
9707	7/16" 12 Point Flex Ratcheting Combination Wrench	9711	11/16" 12 Point Flex Ratcheting Combination Wrench
9708	1/2" 12 Point Flex Ratcheting Combination Wrench	9712	3/4" 12 Point Flex Ratcheting Combination Wrench
9709	9/16" 12 Point Flex Ratcheting Combination Wrench		

### 4 Pc. 12 Point SAE Flex Combination Ratcheting Wrench Set

- 72 tooth ratcheting box end needs a minimal 5° to move fasteners vs. 30° for standard wrenches
- Off-corner loading design on box end provides better grip and reduces fastener rounding
- Thin head and beam provide greater access in confined work areas
- Flexible head provides access to hard-to-reach bolts and fasteners
- Size conveniently stamped on both ends of the beam for quick identification
- Manufactured from alloy steel for better strength and longer tool life
- Bright, full polish chrome finish easily wipes clean and resists corrosion
- Meets or exceeds ASME and ANSI specifications
- Included rack for storage and organization



Cat. No.	Included Storage	Product Weight
9703	Wrench Rack	4.85 lb

Cat. No.	Description	Cat. No.	Description
9713	13/16" 12 Point Flex Ratcheting Combination Wrench	9715D	15/16" 12 Point Flex Ratcheting Combination Wrench
9714D	7/8" 12 Point Flex Ratcheting Combination Wrench	9716D	1" 12 Point Flex Ratcheting Combination Wrench

### 16 Pc. 12 Point Metric Flex Combination Ratcheting Wrench Set

- 72 tooth ratcheting box end needs a minimal 5° to move fasteners vs. 30° for standard wrenches
- Off-corner loading design on box end provides better grip and reduces fastener rounding
- Thin head and beam provide greater access in confined work areas
- Flexible head provides access to hard-to-reach bolts and fasteners
- Size conveniently stamped on both ends of the beam for quick identification
- Manufactured from alloy steel for better strength and longer tool life
- Bright, full polish chrome finish easily wipes clean and resists corrosion
- Meets or exceeds ASME and ANSI specifications
- Included rack for storage and organization



Cat. No.	Included Storage	Product Weight
9902D	Wrench Rack	9.00 lb

Cat. No.	Description	Cat. No.	Description
9908D	8mm 12 Point Flex Ratcheting Combination Wrench	9916D	16mm 12 Point Flex Ratcheting Combination Wrench
9909D	9mm 12 Point Flex Ratcheting Combination Wrench	9917	17mm 12 Point Flex Ratcheting Combination Wrench
9910D	10mm 12 Point Flex Ratcheting Combination Wrench	9918	18mm 12 Point Flex Ratcheting Combination Wrench
9911D	11mm 12 Point Flex Ratcheting Combination Wrench	9919D	19mm 12 Point Flex Ratcheting Combination Wrench
9912D	12mm 12 Point Flex Ratcheting Combination Wrench	9921D	21mm 12 Point Flex Ratcheting Combination Wrench
9913D	13mm 12 Point Flex Ratcheting Combination Wrench	9922D	22mm 12 Point Flex Ratcheting Combination Wrench
9914D	14mm 12 Point Flex Ratcheting Combination Wrench	9924D	24mm 12 Point Flex Ratcheting Combination Wrench
9915D	15mm 12 Point Flex Ratcheting Combination Wrench	9925D	25mm 12 Point Flex Ratcheting Combination Wrench

### 12 Pc. 12 Point Metric Flex Combination Ratcheting Wrench Set

- 72 tooth ratcheting box end needs a minimal 5° to move fasteners vs. 30° for standard wrenches
- Off-corner loading design on box end provides better grip and reduces fastener rounding
- Thin head and beam provide greater access in confined work areas
- Flexible head provides access to hard-to-reach bolts and fasteners
- Size conveniently stamped on both ends of the beam for quick identification
- Manufactured from alloy steel for better strength and longer tool life
- Bright, full polish chrome finish easily wipes clean and resists corrosion
- Meets or exceeds ASME and ANSI specifications
- Included rack for storage and organization



Cat. No.	Included Storage	Product Weight
9901D	Wrench Rack	6.80 lb

Cat. No.	Description	Cat. No.	Description
9908D	8mm 12 Point Flex Ratcheting Combination Wrench	9914D	14mm 12 Point Flex Ratcheting Combination Wrench
9909D	9mm 12 Point Flex Ratcheting Combination Wrench	9915D	15mm 12 Point Flex Ratcheting Combination Wrench
9910D	10mm 12 Point Flex Ratcheting Combination Wrench	9916D	16mm 12 Point Flex Ratcheting Combination Wrench
9911D	11mm 12 Point Flex Ratcheting Combination Wrench	9917	17mm 12 Point Flex Ratcheting Combination Wrench
9912D	12mm 12 Point Flex Ratcheting Combination Wrench	9918	18mm 12 Point Flex Ratcheting Combination Wrench
9913D	13mm 12 Point Flex Ratcheting Combination Wrench	9919D	19mm 12 Point Flex Ratcheting Combination Wrench

### 10 Pc. 12 Point Metric Flex Combination Ratcheting Wrench Set

- 72 tooth ratcheting box end needs a minimal 5° to move fasteners vs. 30° for standard wrenches
- Off-corner loading design on box end provides better grip and reduces fastener rounding
- Thin head and beam provide greater access in confined work areas
- Flexible head provides access to hard-to-reach bolts and fasteners
- Size conveniently stamped on both ends of the beam for quick identification
- Manufactured from alloy steel for better strength and longer tool life
- Bright, full polish chrome finish easily wipes clean and resists corrosion
- Meets or exceeds ASME and ANSI specifications
- Included tool roll for storage and organization



Cat. No.	Included Storage	Product Weight
85894	Tool Roll	4.410 lb

Cat. No.	Description	Cat. No.	Description
9908D	8mm 12 Point Flex Ratcheting Combination Wrench	9915D	15mm 12 Point Flex Ratcheting Combination Wrench
9910D	10mm 12 Point Flex Ratcheting Combination Wrench	9916D	16mm 12 Point Flex Ratcheting Combination Wrench
9912D	12mm 12 Point Flex Ratcheting Combination Wrench	9917	17mm 12 Point Flex Ratcheting Combination Wrench
9913D	13mm 12 Point Flex Ratcheting Combination Wrench	9918	18mm 12 Point Flex Ratcheting Combination Wrench
9914D	14mm 12 Point Flex Ratcheting Combination Wrench	9919D	19mm 12 Point Flex Ratcheting Combination Wrench

### 7 Pc. 12 Point Metric Flex Combination Ratcheting Wrench Set

- 72 tooth ratcheting box end needs a minimal 5° to move fasteners vs. 30° for standard wrenches
- Off-corner loading design on box end provides better grip and reduces fastener rounding
- Thin head and beam provide greater access in confined work areas
- Flexible head provides access to hard-to-reach bolts and fasteners
- Size conveniently stamped on both ends of the beam for quick identification
- Manufactured from alloy steel for better strength and longer tool life
- Bright, full polish chrome finish easily wipes clean and resists corrosion
- Meets or exceeds ASME and ANSI specifications
- Included tray for storage and organization



Cat. No.	Included Storage	Product Weight
9900D	Tray	2.86 lb

Cat. No.	Description	Cat. No.	Description
9910D	10mm 12 Point Flex Ratcheting Combination Wrench	9915D	15mm 12 Point Flex Ratcheting Combination Wrench
9912D	12mm 12 Point Flex Ratcheting Combination Wrench	9917	17mm 12 Point Flex Ratcheting Combination Wrench
9913D	13mm 12 Point Flex Ratcheting Combination Wrench	9919D	19mm 12 Point Flex Ratcheting Combination Wrench
9914D	14mm 12 Point Flex Ratcheting Combination Wrench		

### 4 Pc. 12 Point Metric Flex Combination Ratcheting Wrench Set

- 72 tooth ratcheting box end needs a minimal 5° to move fasteners vs. 30° for standard wrenches
- Off-corner loading design on box end provides better grip and reduces fastener rounding
- Thin head and beam provide greater access in confined work areas
- Flexible head provides access to hard-to-reach bolts and fasteners
- Size conveniently stamped on both ends of the beam for quick identification
- Manufactured from alloy steel for better strength and longer tool life
- Bright, full polish chrome finish easily wipes clean and resists corrosion
- Meets or exceeds ASME and ANSI specifications
- Included rack for storage and organization

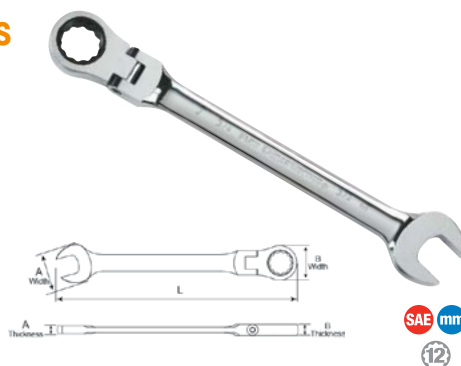


Cat. No.	Included Storage	Product Weight
9903D	Wrench Rack	4.85 lb

Cat. No.	Description	Cat. No.	Description
9921D	21mm 12 Point Flex Ratcheting Combination Wrench	9924D	24mm 12 Point Flex Ratcheting Combination Wrench
9922D	22mm 12 Point Flex Ratcheting Combination Wrench	9925D	25mm 12 Point Flex Ratcheting Combination Wrench

### 12 Point Flex Combination Ratcheting Wrenches

- 72 tooth ratcheting box end needs a minimal 5° to move fasteners vs. 30° for standard wrenches
- Off-corner loading design on box end provides better grip and reduces fastener rounding
- Thin head and beam provide greater access in confined work areas
- Flexible head provides access to hard-to-reach bolts and fasteners
- Size conveniently stamped on both ends of the beam for quick identification
- Manufactured from alloy steel for better strength and longer tool life
- Bright, full polish chrome finish easily wipes clean and resists corrosion
- Meets or exceeds ASME and ANSI specifications



Cat. No.	SAE/Metric	Fastener Size	End A Width	End A Thickness	End B Width	End B Thickness	Overall Length	Product Weight
9705	SAE	5/16 in	0.768 in	0.197 in	0.665 in	0.272 in	5.508 in	0.12 lb
9704D	SAE	11/32 in	0.768 in	0.213 in	0.701 in	0.272 in	5.882 in	0.14 lb
9706	SAE	3/8 in	0.862 in	0.224 in	0.78 in	0.303 in	6.252 in	0.16 lb
9707	SAE	7/16 in	0.953 in	0.252 in	0.854 in	0.323 in	6.504 in	0.18 lb
9708	SAE	1/2 in	1.146 in	0.319 in	0.984 in	0.339 in	7.004 in	0.23 lb
9709	SAE	9/16 in	1.228 in	0.327 in	1.035 in	0.37 in	7.504 in	0.26 lb
9710	SAE	5/8 in	1.358 in	0.346 in	1.201 in	0.406 in	8.197 in	0.37 lb
9711	SAE	11/16 in	1.492 in	0.362 in	1.272 in	0.421 in	8.878 in	0.55 lb
9712	SAE	3/4 in	1.626 in	0.374 in	1.339 in	0.441 in	9.764 in	0.86 lb
9713	SAE	13/16 in	1.811 in	0.39 in	1.535 in	0.512 in	11.476 in	1.00 lb
9714D	SAE	7/8 in	1.811 in	0.39 in	1.535 in	0.512 in	11.476 in	1.14 lb
9715D	SAE	15/16 in	2.055 in	0.429 in	1.791 in	0.571 in	13.114 in	1.29 lb
9716D	SAE	1 in	2.055 in	0.429 in	1.791 in	0.571 in	13.114 in	1.32 lb
9908D	Metric	8 mm	0.768 in	0.197 in	0.665 in	0.272 in	5.508 in	0.12 lb
9909D	Metric	9 mm	0.768 in	0.213 in	0.701 in	0.272 in	5.882 in	0.13 lb
9910D	Metric	10 mm	0.862 in	0.224 in	0.78 in	0.303 in	6.252 in	0.14 lb
9911D	Metric	11 mm	0.953 in	0.252 in	0.854 in	0.323 in	6.504 in	0.16 lb
9912D	Metric	12 mm	1.047 in	0.291 in	0.906 in	0.339 in	6.756 in	0.19 lb
9913D	Metric	13 mm	1.146 in	0.319 in	0.984 in	0.339 in	7.004 in	0.22 lb
9914D	Metric	14 mm	1.228 in	0.327 in	1.035 in	0.37 in	7.504 in	0.27 lb
9915D	Metric	15 mm	1.327 in	0.327 in	1.13 in	0.39 in	7.854 in	0.31 lb
9916D	Metric	16 mm	1.358 in	0.346 in	1.201 in	0.406 in	8.197 in	0.36 lb
9917	Metric	17 mm	1.492 in	0.362 in	1.272 in	0.421 in	8.878 in	0.43 lb
9918	Metric	18 mm	1.583 in	0.37 in	1.307 in	0.441 in	9.315 in	0.51 lb
9919D	Metric	19 mm	1.626 in	0.374 in	1.339 in	0.441 in	9.764 in	0.57 lb
9921D	Metric	21 mm	1.811 in	0.39 in	1.535 in	0.512 in	11.476 in	0.99 lb
9922D	Metric	22 mm	1.811 in	0.39 in	1.535 in	0.512 in	11.476 in	0.98 lb
9924D	Metric	24 mm	2.055 in	0.429 in	1.791 in	0.571 in	13.114 in	1.38 lb
9925D	Metric	25 mm	2.055 in	0.429 in	1.791 in	0.571 in	14 in	1.36 lb

### 7 Pc. 12 Point SAE Stubby Flex Combination Ratcheting Wrench Set

- 72 tooth ratcheting box end needs a minimal 5° to move fasteners vs. 30° for standard wrenches
- Off-corner loading design on box end provides better grip and reduces fastener rounding
- Flexible head provides access to hard-to-reach bolts and fasteners
- Thin head and beam provide greater access in confined work areas
- Stubby beam length for when clearance is limited
- Manufactured from alloy steel for better strength and longer tool life
- Bright, full polish chrome finish easily wipes clean and resists corrosion
- Meets or exceeds ASME and ANSI specifications
- Included tray for storage and organization



Cat. No.	Included Storage	Product Weight
9570	Tray	2.20 lb

Cat. No.	Description	Cat. No.	Description
9571	3/8" 12 Point Stubby Flex Ratcheting Combination Wrench	9575	5/8" 12 Point Stubby Flex Ratcheting Combination Wrench
9572	7/16" 12 Point Stubby Flex Ratcheting Combination Wrench	9576	11/16" 12 Point Stubby Flex Ratcheting Combination Wrench
9573	1/2" 12 Point Stubby Flex Ratcheting Combination Wrench	9577	3/4" 12 Point Stubby Flex Ratcheting Combination Wrench
9574	9/16" 12 Point Stubby Flex Ratcheting Combination Wrench		

### 10 Pc. 12 Point Metric Stubby Flex Combination Ratcheting Wrench Set

- 72 tooth ratcheting box end needs a minimal 5° to move fasteners vs. 30° for standard wrenches
- Off-corner loading design on box end provides better grip and reduces fastener rounding
- Flexible head provides access to hard-to-reach bolts and fasteners
- Thin head and beam provide greater access in confined work areas
- Stubby beam length for when clearance is limited
- Manufactured from alloy steel for better strength and longer tool life
- Bright, full polish chrome finish easily wipes clean and resists corrosion
- Meets or exceeds ASME and ANSI specifications
- Included tray for storage and organization



Cat. No.	Included Storage	Product Weight
9550	Tray	2.91 lb

Cat. No.	Description	Cat. No.	Description
9551	10mm 12 Point Stubby Flex Ratcheting Combination Wrench	9556	15mm 12 Point Stubby Flex Ratcheting Combination Wrench
9552	11mm 12 Point Stubby Flex Ratcheting Combination Wrench	9557D	16mm 12 Point Stubby Flex Ratcheting Combination Wrench
9553D	12mm 12 Point Stubby Flex Ratcheting Combination Wrench	9558	17mm 12 Point Stubby Flex Ratcheting Combination Wrench
9554	13mm 12 Point Stubby Flex Ratcheting Combination Wrench	9559	18mm 12 Point Stubby Flex Ratcheting Combination Wrench
9555	14mm 12 Point Stubby Flex Ratcheting Combination Wrench	9560	19mm 12 Point Stubby Flex Ratcheting Combination Wrench