

613 Pc. Master Mechanics Hand Tool Set

- Comprehensive 613 piece set mix of mechanics hand tools including drive tools, sockets, bit sockets, wrenches, ratcheting wrenches, pliers and screwdrivers
- 84 tooth full polish chrome ratchets with slim head design provides additional access to hard to reach fasteners
- 72 tooth ratcheting wrenches with a 5° swing arc with off-corner loading design on box end provides better grip and reduces fastener rounding
- Flex head ratcheting wrenches with flex head that tilts up to 180 degrees at any interval
- Reversible ratcheting wrenches with compact reversing lever allows for quick changes without removing ratcheting box end from fastener
- Tri-lobe ergonomic dual material handle Phillips® and slotted screwdrivers for optimal balance of strength and comfort
- Precision engineered hex and ball-end hex bit sockets with bits made of S2 steel for added strength and better fastener fit
- Professional assortment of ergonomic dipped grip handle pliers with tongue and groove, slip joint, lineman's, diagonal, long nose, and end nippers included



| Cat. No. | Included Storage | Product Weight |
|----------|------------------|----------------|
| 89060 | None | 167.892 lb |



| Cat. No. | Description | Cat. No. | Description |
|----------|--|----------|---|
| 81011F | 1/4" Drive 84 Tooth Teardrop Ratchet 5" | 81278 | 3/8" Drive 3/8" F x 1/2" M Adapter |
| 81012F | 1/4" Drive 84 Tooth Flex Head Teardrop Ratchet 7" | 81354 | 1/2" Drive 1/2" F x 3/8" M Adapter |
| 81027 | 1/4" Drive 72 Tooth Gimbal Ratchet | 9008 | 1/4" 12 Point Ratcheting Combination Wrench |
| 81211F | 3/8" Drive 84 Tooth Teardrop Ratchet 8-1/4" | 9010D | 5/16" 12 Point Ratcheting Combination Wrench |
| 81215F | 3/8" Drive 84 Tooth Flex Head Teardrop Ratchet 11-1/2" | 9012D | 3/8" 12 Point Ratcheting Combination Wrench |
| 81212F | 3/8" Drive 84 Tooth Stubby Flex Head Teardrop Ratchet 5" | 9014 | 7/16" 12 Point Ratcheting Combination Wrench |
| 81270 | 3/8" Drive 72 Tooth Gimbal Ratchet | 9016D | 1/2" 12 Point Ratcheting Combination Wrench |
| 81304F | 1/2" Drive 84 Tooth Teardrop Ratchet 11" | 9018D | 9/16" 12 Point Ratcheting Combination Wrench |
| 81306F | 1/2" Drive 84 Tooth Flex Head Teardrop Ratchet 17" | 9020 | 5/8" 12 Point Ratcheting Combination Wrench |
| 80100 | 1/4" Drive Universal Joint | 9022 | 11/16" 12 Point Ratcheting Combination Wrench |
| 80549 | 3/8" Drive Universal Joint | 9024 | 3/4" 12 Point Ratcheting Combination Wrench |
| 80600D | 1/2" Drive Universal Joint | 9026D | 13/16" 12 Point Ratcheting Combination Wrench |
| 81101 | 1/4" Drive Extension 2" | 9108D | 8mm 12 Point Ratcheting Combination Wrench |
| 81113D | 1/4" Drive Extension 3" | 9109 | 9mm 12 Point Ratcheting Combination Wrench |
| 81114D | 1/4" Drive Extension 4" | 9110D | 10mm 12 Point Ratcheting Combination Wrench |
| 81116 | 1/4" Drive Extension 6" | 9111 | 11mm 12 Point Ratcheting Combination Wrench |
| 81118 | 1/4" Drive Extension 14" | 9112 | 12mm 12 Point Ratcheting Combination Wrench |
| 81240 | 3/8" Drive Extension 1-1/2" | 9113D | 13mm 12 Point Ratcheting Combination Wrench |
| 81241 | 3/8" Drive Extension 3" | 9114D | 14mm 12 Point Ratcheting Combination Wrench |
| 81242 | 3/8" Drive Extension 3" | 9115D | 15mm 12 Point Ratcheting Combination Wrench |
| 81244 | 3/8" Drive Extension 12" | 9116D | 16mm 12 Point Ratcheting Combination Wrench |
| 81341 | 1/2" Drive Extension 5" | 9117D | 17mm 12 Point Ratcheting Combination Wrench |
| 81342 | 1/2" Drive Extension 10" | - | 5/16" 12 Point Stubby Ratcheting Combination Wrench |
| 81343 | 1/2" Drive Extension 15" | 9500DD | 3/8" 12 Point Stubby Ratcheting Combination Wrench |
| 81127 | 1/4" Drive 1/4" F x 3/8" M Adapter | 9501DD | 7/16" 12 Point Stubby Ratcheting Combination Wrench |
| 81277 | 3/8" Drive 3/8" F x 1/4" M Adapter | 9502D | 1/2" 12 Point Stubby Ratcheting Combination Wrench |

| Cat. No. | Description | Cat. No. | Description |
|----------|--|----------|--|
| 9503D | 9/16" 12 Point Stubby Ratcheting Combination Wrench | 81662 | 7/8" 12 Point Long Pattern Combination Wrench |
| 9504D | 5/8" 12 Point Stubby Ratcheting Combination Wrench | 81663 | 15/16" 12 Point Long Pattern Combination Wrench |
| 9510DD | 10mm 12 Point Stubby Ratcheting Combination Wrench | 81664 | 1" 12 Point Long Pattern Combination Wrench |
| 9511D | 11mm 12 Point Stubby Ratcheting Combination Wrench | 81733 | 1-1/16" 12 Point Long Pattern Combination Wrench |
| 9512D | 12mm 12 Point Stubby Ratcheting Combination Wrench | 81734 | 1-1/8" 12 Point Long Pattern Combination Wrench |
| 9513D | 13mm 12 Point Stubby Ratcheting Combination Wrench | 81735 | 1-1/4" 12 Point Long Pattern Combination Wrench |
| 9514D | 14mm 12 Point Stubby Ratcheting Combination Wrench | 81749 | 1-5/16" 12 Point Long Pattern Combination Wrench |
| 9515D | 15mm 12 Point Stubby Ratcheting Combination Wrench | 81750 | 1-1/2" 12 Point Long Pattern Combination Wrench |
| 9526ND | 3/8" 12 Point Reversible Ratcheting Combination Wrench | 81736 | 6mm 12 Point Long Pattern Combination Wrench |
| 9527N | 7/16" 12 Point Reversible Ratcheting Combination Wrench | 81737 | 7mm 12 Point Long Pattern Combination Wrench |
| 9528N | 1/2" 12 Point Reversible Ratcheting Combination Wrench | 81665 | 8mm 12 Point Long Pattern Combination Wrench |
| 9529N | 9/16" 12 Point Reversible Ratcheting Combination Wrench | 81666 | 9mm 12 Point Long Pattern Combination Wrench |
| 9530ND | 5/8" 12 Point Reversible Ratcheting Combination Wrench | 81667 | 10mm 12 Point Long Pattern Combination Wrench |
| 9531ND | 11/16" 12 Point Reversible Ratcheting Combination Wrench | 81668 | 11mm 12 Point Long Pattern Combination Wrench |
| 9532N | 3/4" 12 Point Reversible Ratcheting Combination Wrench | 81669 | 12mm 12 Point Long Pattern Combination Wrench |
| 9610N | 10mm 12 Point Reversible Ratcheting Combination Wrench | 81670 | 13mm 12 Point Long Pattern Combination Wrench |
| 9612N | 12mm 12 Point Reversible Ratcheting Combination Wrench | 81671 | 14mm 12 Point Long Pattern Combination Wrench |
| 9613N | 13mm 12 Point Reversible Ratcheting Combination Wrench | 81672 | 15mm 12 Point Long Pattern Combination Wrench |
| 9614N | 14mm 12 Point Reversible Ratcheting Combination Wrench | 81673 | 16mm 12 Point Long Pattern Combination Wrench |
| 9615N | 15mm 12 Point Reversible Ratcheting Combination Wrench | 81674 | 17mm 12 Point Long Pattern Combination Wrench |
| 9617N | 17mm 12 Point Reversible Ratcheting Combination Wrench | 81675 | 18mm 12 Point Long Pattern Combination Wrench |
| 9619N | 19mm 12 Point Reversible Ratcheting Combination Wrench | 81676 | 19mm 12 Point Long Pattern Combination Wrench |
| 9706 | 3/8" 12 Point Flex Ratcheting Combination Wrench | 81677 | 20mm 12 Point Long Pattern Combination Wrench |
| 9707 | 7/16" 12 Point Flex Ratcheting Combination Wrench | 81678 | 21mm 12 Point Long Pattern Combination Wrench |
| 9708 | 1/2" 12 Point Flex Ratcheting Combination Wrench | 81679 | 22mm 12 Point Long Pattern Combination Wrench |
| 9709 | 9/16" 12 Point Flex Ratcheting Combination Wrench | 81741 | 23mm 12 Point Long Pattern Combination Wrench |
| 9710 | 5/8" 12 Point Flex Ratcheting Combination Wrench | 81742 | 24mm 12 Point Long Pattern Combination Wrench |
| 9711 | 11/16" 12 Point Flex Ratcheting Combination Wrench | 81751 | 25mm 12 Point Long Pattern Combination Wrench |
| 9712 | 3/4" 12 Point Flex Ratcheting Combination Wrench | 81752 | 26mm 12 Point Long Pattern Combination Wrench |
| 9910D | 10mm 12 Point Flex Ratcheting Combination Wrench | 81743 | 27mm 12 Point Long Pattern Combination Wrench |
| 9912D | 12mm 12 Point Flex Ratcheting Combination Wrench | 81753 | 28mm 12 Point Long Pattern Combination Wrench |
| 9913D | 13mm 12 Point Flex Ratcheting Combination Wrench | 81744 | 30mm 12 Point Long Pattern Combination Wrench |
| 9914D | 14mm 12 Point Flex Ratcheting Combination Wrench | 81745D | 32mm 12 Point Long Pattern Combination Wrench |
| 9915D | 15mm 12 Point Flex Ratcheting Combination Wrench | 80105 | 1/4" Drive 6 Point Standard SAE Socket 3/16" |
| 9917 | 17mm 12 Point Flex Ratcheting Combination Wrench | 80106 | 1/4" Drive 6 Point Standard SAE Socket 7/32" |
| 9919D | 19mm 12 Point Flex Ratcheting Combination Wrench | 80107 | 1/4" Drive 6 Point Standard SAE Socket 1/4" |
| 81650 | 1/4" 12 Point Long Pattern Combination Wrench | 80108 | 1/4" Drive 6 Point Standard SAE Socket 9/32" |
| 81652D | 5/16" 12 Point Long Pattern Combination Wrench | 80109 | 1/4" Drive 6 Point Standard SAE Socket 5/16" |
| 81653 | 11/32" 12 Point Long Pattern Combination Wrench | 80110 | 1/4" Drive 6 Point Standard SAE Socket 11/32" |
| 81654 | 3/8" 12 Point Long Pattern Combination Wrench | 80111 | 1/4" Drive 6 Point Standard SAE Socket 3/8" |
| 81655 | 7/16" 12 Point Long Pattern Combination Wrench | 80112 | 1/4" Drive 6 Point Standard SAE Socket 7/16" |
| 81656 | 1/2" 12 Point Long Pattern Combination Wrench | 80113D | 1/4" Drive 6 Point Standard SAE Socket 1/2" |
| 81657 | 9/16" 12 Point Long Pattern Combination Wrench | 80114D | 1/4" Drive 6 Point Standard SAE Socket 9/16" |
| 81658 | 5/8" 12 Point Long Pattern Combination Wrench | 80125 | 1/4" Drive 6 Point Standard Metric Socket 4mm |
| 81659 | 11/16" 12 Point Long Pattern Combination Wrench | 80126 | 1/4" Drive 6 Point Standard Metric Socket 5mm |
| 81660 | 3/4" 12 Point Long Pattern Combination Wrench | 80127 | 1/4" Drive 6 Point Standard Metric Socket 5.5mm |
| 81661 | 13/16" 12 Point Long Pattern Combination Wrench | 80128 | 1/4" Drive 6 Point Standard Metric Socket 6mm |

Continued on next page

110 Pc. Mechanics Tool Set ■ *Continued from previous page*

| Cat. No. | Description | Cat. No. | Description |
|----------|---|----------|--|
| 80371 | 3/8" Drive 6 Point Deep SAE Socket 3/4" | 80493 | 3/8" Drive 12 Point Standard Metric Socket 17mm |
| 80392 | 3/8" Drive 6 Point Deep Metric Socket 10mm | 80494 | 3/8" Drive 12 Point Standard Metric Socket 18mm |
| 80393D | 3/8" Drive 6 Point Deep Metric Socket 11mm | 80495 | 3/8" Drive 12 Point Standard Metric Socket 19mm |
| 80394D | 3/8" Drive 6 Point Deep Metric Socket 12mm | 80764 | 1/2" Drive 12 Point Standard SAE Socket 11/16" |
| 80395 | 3/8" Drive 6 Point Deep Metric Socket 13mm | 80765 | 1/2" Drive 12 Point Standard SAE Socket 3/4" |
| 80396 | 3/8" Drive 6 Point Deep Metric Socket 14mm | 80766 | 1/2" Drive 12 Point Standard SAE Socket 13/16" |
| 80397 | 3/8" Drive 6 Point Deep Metric Socket 15mm | 80767 | 1/2" Drive 12 Point Standard SAE Socket 7/8" |
| 80398 | 3/8" Drive 6 Point Deep Metric Socket 16mm | 80768 | 1/2" Drive 12 Point Standard SAE Socket 15/16" |
| 80399 | 3/8" Drive 6 Point Deep Metric Socket 17mm | 80769 | 1/2" Drive 12 Point Standard SAE Socket 1" |
| 80400 | 3/8" Drive 6 Point Deep Metric Socket 18mm | 80750 | 1/2" Drive 12 Point Standard Metric Socket 15mm |
| 80401 | 3/8" Drive 6 Point Deep Metric Socket 19mm | 80751 | 1/2" Drive 12 Point Standard Metric Socket 16mm |
| 80498 | 3/8" Drive 12 Point Standard SAE Socket 3/8" | 80752 | 1/2" Drive 12 Point Standard Metric Socket 17mm |
| 80499 | 3/8" Drive 12 Point Standard SAE Socket 7/16" | 80753 | 1/2" Drive 12 Point Standard Metric Socket 18mm |
| 80500D | 3/8" Drive 12 Point Standard SAE Socket 1/2" | 80754 | 1/2" Drive 12 Point Standard Metric Socket 19mm |
| 80501 | 3/8" Drive 12 Point Standard SAE Socket 9/16" | 80756 | 1/2" Drive 12 Point Standard Metric Socket 21mm |
| 80502 | 3/8" Drive 12 Point Standard SAE Socket 5/8" | 80402 | 3/8" Drive 6 Point 2-1/2" Spark Plug Socket 5/8" |
| 80503 | 3/8" Drive 12 Point Standard SAE Socket 11/16" | | |
| 80504 | 3/8" Drive 12 Point Standard SAE Socket 3/4" | | |
| 80489 | 3/8" Drive 12 Point Standard Metric Socket 13mm | | |
| 80490 | 3/8" Drive 12 Point Standard Metric Socket 14mm | | |
| 80491 | 3/8" Drive 12 Point Standard Metric Socket 15mm | | |
| 80492 | 3/8" Drive 12 Point Standard Metric Socket 16mm | | |

232 Pc. 1/4" and 3/8" Drive 6 and 12 Point SAE/Metric Mechanics Tool Set

- Full polish chrome SAE and metric 1/4" and 3/8" standard and deep sockets
- 84 tooth quick release full polish chrome teardrop ratchets, with flush-mounted on/off lever
- Full polish chrome SAE and metric 72 tooth ratcheting wrenches, with a 5° swing arc
- Set includes comprehensive bit socket offering including: hex bit, Torx® bit, and External Torx® sockets
- Sockets feature off-corner loading design to reduce fastener rounding
- Magnetic bit driver with ergonomic dual material handle
- Extension bars feature a knurled grip, providing a non slip surface
- Includes long arm hex keys
- 3 drawer storage box with independent sliding drawers, locking side flaps, a steel hinged lid and a durable handle
- Meets or exceeds ASME specifications



| Cat. No. | Included Storage | Product Weight |
|----------|----------------------|----------------|
| 80944 | 3 Drawer Storage Box | 41.050 lb |



| Cat. No. | Description | Cat. No. | Description |
|----------|---|----------|---|
| 81011F | 1/4" Drive 84 Tooth Teardrop Ratchet 5" | 9117D | 17mm 12 Point Ratcheting Combination Wrench |
| 81211F | 3/8" Drive 84 Tooth Teardrop Ratchet 8-1/4" | 9118D | 18mm 12 Point Ratcheting Combination Wrench |
| 81113D | 1/4" Drive Extension 3" | 9119 | 19mm 12 Point Ratcheting Combination Wrench |
| 81241 | 3/8" Drive Extension 3" | 80104D | 1/4" Drive 6 Point Standard SAE Socket 5/32" |
| 81242 | 3/8" Drive Extension 6" | 80105 | 1/4" Drive 6 Point Standard SAE Socket 3/16" |
| 82783 | 1/4" Magnetic Bit Holding Screwdriver Handle | 80106 | 1/4" Drive 6 Point Standard SAE Socket 7/32" |
| - | 30 Pc. Bit Set with Box | 80107 | 1/4" Drive 6 Point Standard SAE Socket 1/4" |
| 56603G | 13 Piece Long Arm SAE Hex Key Set | 80108 | 1/4" Drive 6 Point Standard SAE Socket 9/32" |
| 56606G | 9 Piece Long Arm Metric Hex Key Set | 80109 | 1/4" Drive 6 Point Standard SAE Socket 5/16" |
| 9008 | 1/4" 12 Point Ratcheting Combination Wrench | 80110 | 1/4" Drive 6 Point Standard SAE Socket 11/32" |
| 9010D | 5/16" 12 Point Ratcheting Combination Wrench | 80111 | 1/4" Drive 6 Point Standard SAE Socket 3/8" |
| 9011D | 11/32" 12 Point Ratcheting Combination Wrench | 80112 | 1/4" Drive 6 Point Standard SAE Socket 7/16" |
| 9012D | 3/8" 12 Point Ratcheting Combination Wrench | 80113D | 1/4" Drive 6 Point Standard SAE Socket 1/2" |
| 9014 | 7/16" 12 Point Ratcheting Combination Wrench | 80114D | 1/4" Drive 6 Point Standard SAE Socket 9/16" |
| 9016D | 1/2" 12 Point Ratcheting Combination Wrench | 80115 | 1/4" Drive 6 Point Deep SAE Socket 3/16" |
| 9018D | 9/16" 12 Point Ratcheting Combination Wrench | 80116D | 1/4" Drive 6 Point Deep SAE Socket 7/32" |
| 9020 | 5/8" 12 Point Ratcheting Combination Wrench | 80117 | 1/4" Drive 6 Point Deep SAE Socket 1/4" |
| 9022 | 11/16" 12 Point Ratcheting Combination Wrench | 80118 | 1/4" Drive 6 Point Deep SAE Socket 9/32" |
| 9024 | 3/4" 12 Point Ratcheting Combination Wrench | 80119 | 1/4" Drive 6 Point Deep SAE Socket 5/16" |
| 9106 | 6mm 12 Point Ratcheting Combination Wrench | 80120D | 1/4" Drive 6 Point Deep SAE Socket 11/32" |
| 9107 | 7mm 12 Point Ratcheting Combination Wrench | 80121 | 1/4" Drive 6 Point Deep SAE Socket 3/8" |
| 9108D | 8mm 12 Point Ratcheting Combination Wrench | 80122D | 1/4" Drive 6 Point Deep SAE Socket 7/16" |
| 9109 | 9mm 12 Point Ratcheting Combination Wrench | 80123 | 1/4" Drive 6 Point Deep SAE Socket 1/2" |
| 9110D | 10mm 12 Point Ratcheting Combination Wrench | 80124 | 1/4" Drive 6 Point Deep SAE Socket 9/16" |
| 9111 | 11mm 12 Point Ratcheting Combination Wrench | 80125 | 1/4" Drive 6 Point Standard Metric Socket 4mm |
| 9112 | 12mm 12 Point Ratcheting Combination Wrench | 80126 | 1/4" Drive 6 Point Standard Metric Socket 5mm |
| 9113D | 13mm 12 Point Ratcheting Combination Wrench | 80128 | 1/4" Drive 6 Point Standard Metric Socket 6mm |
| 9114D | 14mm 12 Point Ratcheting Combination Wrench | 80129 | 1/4" Drive 6 Point Standard Metric Socket 7mm |
| 9115D | 15mm 12 Point Ratcheting Combination Wrench | | |
| 9116D | 16mm 12 Point Ratcheting Combination Wrench | | |

■ *Continued on next page*

34 Pc. 12 Point SAE/Metric Standard/Stubby Combination Ratcheting Wrench Set

Continued from previous page

| Cat. No. | Description | Cat. No. | Description |
|----------|---|----------|--|
| 9024 | 3/4" 12 Point Ratcheting Combination Wrench | 9506D | 3/4" 12 Point Stubby Ratcheting Combination Wrench |
| 9110D | 10mm 12 Point Ratcheting Combination Wrench | 9510DD | 10mm 12 Point Stubby Ratcheting Combination Wrench |
| 9111 | 11mm 12 Point Ratcheting Combination Wrench | 9511D | 11mm 12 Point Stubby Ratcheting Combination Wrench |
| 9112 | 12mm 12 Point Ratcheting Combination Wrench | 9512D | 12mm 12 Point Stubby Ratcheting Combination Wrench |
| 9113D | 13mm 12 Point Ratcheting Combination Wrench | 9513D | 13mm 12 Point Stubby Ratcheting Combination Wrench |
| 9114D | 14mm 12 Point Ratcheting Combination Wrench | 9514D | 14mm 12 Point Stubby Ratcheting Combination Wrench |
| 9115D | 15mm 12 Point Ratcheting Combination Wrench | 9515D | 15mm 12 Point Stubby Ratcheting Combination Wrench |
| 9116D | 16mm 12 Point Ratcheting Combination Wrench | 9516D | 16mm 12 Point Stubby Ratcheting Combination Wrench |
| 9117D | 17mm 12 Point Ratcheting Combination Wrench | 9517D | 17mm 12 Point Stubby Ratcheting Combination Wrench |
| 9118D | 18mm 12 Point Ratcheting Combination Wrench | 9518D | 18mm 12 Point Stubby Ratcheting Combination Wrench |

10 Pc. 12 Point SAE/Metric Combination Ratcheting Wrench Set

- 72 tooth ratcheting box end needs a minimal 5° to move fasteners vs. 30° for standard wrenches
- Off-corner loading design on box end provides better grip and reduces fastener rounding
- Thin head and beam provide greater access in confined work areas
- Size conveniently stamped on both ends of the beam for quick identification
- Manufactured from alloy steel for better strength and longer tool life
- Bright, full polish chrome finish easily wipes clean and resists corrosion
- Meets or exceeds ASME and ANSI specifications



| Cat. No. | Included Storage | Product Weight |
|----------|------------------|----------------|
| 9418 | None | 2.04 lb |

| Cat. No. | Description | Cat. No. | Description |
|----------|--|----------|---|
| 9010D | 5/16" 12 Point Ratcheting Combination Wrench | 9108D | 8mm 12 Point Ratcheting Combination Wrench |
| 9012D | 3/8" 12 Point Ratcheting Combination Wrench | 9110D | 10mm 12 Point Ratcheting Combination Wrench |
| 9014 | 7/16" 12 Point Ratcheting Combination Wrench | 9112 | 12mm 12 Point Ratcheting Combination Wrench |
| 9016D | 1/2" 12 Point Ratcheting Combination Wrench | 9113D | 13mm 12 Point Ratcheting Combination Wrench |
| 9018D | 9/16" 12 Point Ratcheting Combination Wrench | 9114D | 14mm 12 Point Ratcheting Combination Wrench |

13 Pc. 12 Point SAE Combination Ratcheting Wrench Set

- 72 tooth ratcheting box end needs a minimal 5° to move fasteners vs. 30° for standard wrenches
- Off-corner loading design on box end provides better grip and reduces fastener rounding
- Thin head and beam provide greater access in confined work areas
- Size conveniently stamped on both ends of the beam for quick identification
- Manufactured from alloy steel for better strength and longer tool life
- Bright, full polish chrome finish easily wipes clean and resists corrosion
- Meets or exceeds ASME and ANSI specifications
- Included rack for storage and organization



| Cat. No. | Included Storage | Product Weight |
|----------|------------------|----------------|
| 9312 | Wrench Rack | 5.96 lb |

| Cat. No. | Description | Cat. No. | Description |
|----------|--|----------|---|
| 9008 | 1/4" 12 Point Ratcheting Combination Wrench | 9022 | 11/16" 12 Point Ratcheting Combination Wrench |
| 9010D | 5/16" 12 Point Ratcheting Combination Wrench | 9024 | 3/4" 12 Point Ratcheting Combination Wrench |
| 9012D | 3/8" 12 Point Ratcheting Combination Wrench | 9026D | 13/16" 12 Point Ratcheting Combination Wrench |
| 9014 | 7/16" 12 Point Ratcheting Combination Wrench | 9028D | 7/8" 12 Point Ratcheting Combination Wrench |
| 9016D | 1/2" 12 Point Ratcheting Combination Wrench | 9030 | 15/16" 12 Point Ratcheting Combination Wrench |
| 9018D | 9/16" 12 Point Ratcheting Combination Wrench | 9032 | 1" 12 Point Ratcheting Combination Wrench |
| 9020 | 5/8" 12 Point Ratcheting Combination Wrench | | |

8 Pc. 12 Point SAE Combination Ratcheting Wrench Set

- 72 tooth ratcheting box end needs a minimal 5° to move fasteners vs. 30° for standard wrenches
- Off-corner loading design on box end provides better grip and reduces fastener rounding
- Thin head and beam provide greater access in confined work areas
- Size conveniently stamped on both ends of the beam for quick identification
- Manufactured from alloy steel for better strength and longer tool life
- Bright, full polish chrome finish easily wipes clean and resists corrosion
- Meets or exceeds ASME and ANSI specifications
- Included tray for storage and organization



| Cat. No. | Included Storage | Product Weight |
|----------|------------------|----------------|
| 9308D | Tray | 2.70 lb |

| Cat. No. | Description | Cat. No. | Description |
|----------|--|----------|---|
| 9010D | 5/16" 12 Point Ratcheting Combination Wrench | 9018D | 9/16" 12 Point Ratcheting Combination Wrench |
| 9012D | 3/8" 12 Point Ratcheting Combination Wrench | 9020 | 5/8" 12 Point Ratcheting Combination Wrench |
| 9014 | 7/16" 12 Point Ratcheting Combination Wrench | 9022 | 11/16" 12 Point Ratcheting Combination Wrench |
| 9016D | 1/2" 12 Point Ratcheting Combination Wrench | 9024 | 3/4" 12 Point Ratcheting Combination Wrench |

7 Pc. 12 Point SAE Combination Ratcheting Wrench Set

- 72 tooth ratcheting box end needs a minimal 5° to move fasteners vs. 30° for standard wrenches
- Off-corner loading design on box end provides better grip and reduces fastener rounding
- Thin head and beam provide greater access in confined work areas
- Size conveniently stamped on both ends of the beam for quick identification
- Manufactured from alloy steel for better strength and longer tool life
- Bright, full polish chrome finish easily wipes clean and resists corrosion
- Meets or exceeds ASME and ANSI specifications



| Cat. No. | Included Storage | Product Weight |
|----------|------------------|----------------|
| 9317 | None | 2.02 lb |

| Cat. No. | Description | Cat. No. | Description |
|----------|--|----------|--|
| 9010D | 5/16" 12 Point Ratcheting Combination Wrench | 9018D | 9/16" 12 Point Ratcheting Combination Wrench |
| 9012D | 3/8" 12 Point Ratcheting Combination Wrench | 9020 | 5/8" 12 Point Ratcheting Combination Wrench |
| 9014 | 7/16" 12 Point Ratcheting Combination Wrench | 9024 | 3/4" 12 Point Ratcheting Combination Wrench |
| 9016D | 1/2" 12 Point Ratcheting Combination Wrench | | |

5 Pc. 12 Point SAE Combination Ratcheting Wrench Set

- 72 tooth ratcheting box end needs a minimal 5° to move fasteners vs. 30° for standard wrenches
- Off-corner loading design on box end provides better grip and reduces fastener rounding
- Thin head and beam provide greater access in confined work areas
- Size conveniently stamped on both ends of the beam for quick identification
- Manufactured from alloy steel for better strength and longer tool life
- Bright, full polish chrome finish easily wipes clean and resists corrosion
- Meets or exceeds ASME and ANSI specifications



| Cat. No. | Included Storage | Product Weight |
|----------|------------------|----------------|
| 93005 | None | 4.16 lb |

| Cat. No. | Description | Cat. No. | Description |
|----------|--|----------|--|
| 9012D | 3/8" 12 Point Ratcheting Combination Wrench | 9018D | 9/16" 12 Point Ratcheting Combination Wrench |
| 9014 | 7/16" 12 Point Ratcheting Combination Wrench | 9020 | 5/8" 12 Point Ratcheting Combination Wrench |
| 9016D | 1/2" 12 Point Ratcheting Combination Wrench | | |

4 Pc. 12 Point SAE Combination Ratcheting Wrench Set

- 72 tooth ratcheting box end needs a minimal 5° to move fasteners vs. 30° for standard wrenches
- Off-corner loading design on box end provides better grip and reduces fastener rounding
- Thin head and beam provide greater access in confined work areas
- Size conveniently stamped on both ends of the beam for quick identification
- Manufactured from alloy steel for better strength and longer tool life
- Bright, full polish chrome finish easily wipes clean and resists corrosion
- Meets or exceeds ASME and ANSI specifications
- Included tray for storage and organization



| Cat. No. | Included Storage | Product Weight |
|----------|------------------|----------------|
| 9309D | Tray | 4.79 lb |

| Cat. No. | Description | Cat. No. | Description |
|----------|---|----------|---|
| 9026D | 13/16" 12 Point Ratcheting Combination Wrench | 9030 | 15/16" 12 Point Ratcheting Combination Wrench |
| 9028D | 7/8" 12 Point Ratcheting Combination Wrench | 9032 | 1" 12 Point Ratcheting Combination Wrench |

16 Pc. 12 Point Metric Combination Ratcheting Wrench Set

- 72 tooth ratcheting box end needs a minimal 5° to move fasteners vs. 30° for standard wrenches
- Off-corner loading design on box end provides better grip and reduces fastener rounding
- Thin head and beam provide greater access in confined work areas
- Size conveniently stamped on both ends of the beam for quick identification
- Manufactured from alloy steel for better strength and longer tool life
- Bright, full polish chrome finish easily wipes clean and resists corrosion
- Meets or exceeds ASME and ANSI specifications
- Included rack for storage and organization



| Cat. No. | Included Storage | Product Weight |
|----------|------------------|----------------|
| 9416 | Wrench Rack | 6.67 lb |

| Cat. No. | Description | Cat. No. | Description |
|----------|---|----------|---|
| 9108D | 8mm 12 Point Ratcheting Combination Wrench | 9116D | 16mm 12 Point Ratcheting Combination Wrench |
| 9109 | 9mm 12 Point Ratcheting Combination Wrench | 9117D | 17mm 12 Point Ratcheting Combination Wrench |
| 9110D | 10mm 12 Point Ratcheting Combination Wrench | 9118D | 18mm 12 Point Ratcheting Combination Wrench |
| 9111 | 11mm 12 Point Ratcheting Combination Wrench | 9119 | 19mm 12 Point Ratcheting Combination Wrench |
| 9112 | 12mm 12 Point Ratcheting Combination Wrench | 9120 | 20mm 12 Point Ratcheting Combination Wrench |
| 9113D | 13mm 12 Point Ratcheting Combination Wrench | 9121 | 21mm 12 Point Ratcheting Combination Wrench |
| 9114D | 14mm 12 Point Ratcheting Combination Wrench | 9122 | 22mm 12 Point Ratcheting Combination Wrench |
| 9115D | 15mm 12 Point Ratcheting Combination Wrench | 9124 | 24mm 12 Point Ratcheting Combination Wrench |

12 Pc. 12 Point Metric Combination Ratcheting Wrench Set

- 72 tooth ratcheting box end needs a minimal 5° to move fasteners vs. 30° for standard wrenches
- Off-corner loading design on box end provides better grip and reduces fastener rounding
- Thin head and beam provide greater access in confined work areas
- Size conveniently stamped on both ends of the beam for quick identification
- Manufactured from alloy steel for better strength and longer tool life
- Bright, full polish chrome finish easily wipes clean and resists corrosion
- Meets or exceeds ASME and ANSI specifications
- Included tray for storage and organization



| Cat. No. | Included Storage | Product Weight |
|----------|------------------|----------------|
| 9412 | Tray | 3.56 lb |

| Cat. No. | Description | Cat. No. | Description |
|----------|---|----------|---|
| 9108D | 8mm 12 Point Ratcheting Combination Wrench | 9114D | 14mm 12 Point Ratcheting Combination Wrench |
| 9109 | 9mm 12 Point Ratcheting Combination Wrench | 9115D | 15mm 12 Point Ratcheting Combination Wrench |
| 9110D | 10mm 12 Point Ratcheting Combination Wrench | 9116D | 16mm 12 Point Ratcheting Combination Wrench |
| 9111 | 11mm 12 Point Ratcheting Combination Wrench | 9117D | 17mm 12 Point Ratcheting Combination Wrench |
| 9112 | 12mm 12 Point Ratcheting Combination Wrench | 9118D | 18mm 12 Point Ratcheting Combination Wrench |
| 9113D | 13mm 12 Point Ratcheting Combination Wrench | 9119 | 19mm 12 Point Ratcheting Combination Wrench |

7 Pc. 12 Point Metric Combination Ratcheting Wrench Set

- 72 tooth ratcheting box end needs a minimal 5° to move fasteners vs. 30° for standard wrenches
- Off-corner loading design on box end provides better grip and reduces fastener rounding
- Thin head and beam provide greater access in confined work areas
- Size conveniently stamped on both ends of the beam for quick identification
- Manufactured from alloy steel for better strength and longer tool life
- Bright, full polish chrome finish easily wipes clean and resists corrosion
- Meets or exceeds ASME and ANSI specifications



| Cat. No. | Included Storage | Product Weight |
|----------|------------------|----------------|
| 9417 | None | 2.15 lb |

| Cat. No. | Description | Cat. No. | Description |
|----------|---|----------|---|
| 9108D | 8mm 12 Point Ratcheting Combination Wrench | 9114D | 14mm 12 Point Ratcheting Combination Wrench |
| 9110D | 10mm 12 Point Ratcheting Combination Wrench | 9115D | 15mm 12 Point Ratcheting Combination Wrench |
| 9112 | 12mm 12 Point Ratcheting Combination Wrench | 9118D | 18mm 12 Point Ratcheting Combination Wrench |
| 9113D | 13mm 12 Point Ratcheting Combination Wrench | | |

5 Pc. 12 Point Metric Combination Ratcheting Wrench Set

- 72 tooth ratcheting box end needs a minimal 5° to move fasteners vs. 30° for standard wrenches
- Off-corner loading design on box end provides better grip and reduces fastener rounding
- Thin head and beam provide greater access in confined work areas
- Size conveniently stamped on both ends of the beam for quick identification
- Manufactured from alloy steel for better strength and longer tool life
- Bright, full polish chrome finish easily wipes clean and resists corrosion
- Meets or exceeds ASME and ANSI specifications



| Cat. No. | Included Storage | Product Weight |
|----------|------------------|----------------|
| 93004D | None | 4.40 lb |

| Cat. No. | Description | Cat. No. | Description |
|----------|---|----------|---|
| 9110D | 10mm 12 Point Ratcheting Combination Wrench | 9114D | 14mm 12 Point Ratcheting Combination Wrench |
| 9112 | 12mm 12 Point Ratcheting Combination Wrench | 9115D | 15mm 12 Point Ratcheting Combination Wrench |
| 9113D | 13mm 12 Point Ratcheting Combination Wrench | | |

4 Pc. 12 Point Metric Combination Ratcheting Wrench Set

- 72 tooth ratcheting box end needs a minimal 5° to move fasteners vs. 30° for standard wrenches
- Off-corner loading design on box end provides better grip and reduces fastener rounding
- Thin head and beam provide greater access in confined work areas
- Size conveniently stamped on both ends of the beam for quick identification
- Manufactured from alloy steel for better strength and longer tool life
- Bright, full polish chrome finish easily wipes clean and resists corrosion
- Meets or exceeds ASME and ANSI specifications
- Included tray for storage and organization

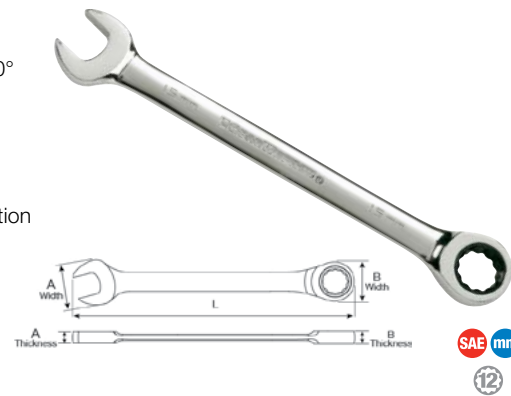


| Cat. No. | Included Storage | Product Weight |
|----------|------------------|----------------|
| 9413 | Tray | 4.67 lb |

| Cat. No. | Description | Cat. No. | Description |
|----------|---|----------|---|
| 9121 | 21mm 12 Point Ratcheting Combination Wrench | 9124 | 24mm 12 Point Ratcheting Combination Wrench |
| 9122 | 22mm 12 Point Ratcheting Combination Wrench | 9125D | 25mm 12 Point Ratcheting Combination Wrench |

12 Point Combination Ratcheting Wrenches

- 72 tooth ratcheting box end needs a minimal 5° to move fasteners vs. 30° for standard wrenches
- Off-corner loading design on box end provides better grip and reduces fastener rounding
- Thin head and beam provide greater access in confined work areas
- Size conveniently stamped on both ends of the beam for quick identification
- Manufactured from alloy steel for better strength and longer tool life
- Bright, full polish chrome finish easily wipes clean and resists corrosion
- Meets or exceeds ASME and ANSI specifications



| Cat. No. | SAE/Metric | Fastener Size | End A Width | End A Thickness | End B Width | End B Thickness | Overall Length | Product Weight |
|----------|------------|---------------|-------------|-----------------|-------------|-----------------|----------------|----------------|
| 9008 | SAE | 1/4 in | 0.567 in | 0.181 in | 0.61 in | 0.256 in | 4.921 in | 0.10 lb |
| 9010D | SAE | 5/16 in | 0.768 in | 0.197 in | 0.665 in | 0.272 in | 5.508 in | 0.12 lb |
| 9011D | SAE | 11/32 in | 0.768 in | 0.213 in | 0.701 in | 0.272 in | 5.882 in | 0.12 lb |
| 9012D | SAE | 3/8 in | 0.862 in | 0.224 in | 0.78 in | 0.303 in | 6.256 in | 0.14 lb |
| 9014 | SAE | 7/16 in | 0.953 in | 0.252 in | 0.854 in | 0.323 in | 6.508 in | 0.17 lb |
| 9016D | SAE | 1/2 in | 1.146 in | 0.319 in | 0.984 in | 0.339 in | 7.008 in | 0.22 lb |
| 9018D | SAE | 9/16 in | 1.228 in | 0.327 in | 1.035 in | 0.37 in | 7.504 in | 0.23 lb |
| 9020 | SAE | 5/8 in | 1.358 in | 0.346 in | 1.201 in | 0.406 in | 8.201 in | 0.33 lb |
| 9022 | SAE | 11/16 in | 1.492 in | 0.362 in | 1.272 in | 0.421 in | 8.878 in | 0.38 lb |
| 9024 | SAE | 3/4 in | 1.626 in | 0.374 in | 1.339 in | 0.441 in | 9.764 in | 0.47 lb |
| 9026D | SAE | 13/16 in | 1.811 in | 0.39 in | 1.535 in | 0.512 in | 11.476 in | 0.86 lb |
| 9028D | SAE | 7/8 in | 1.811 in | 0.39 in | 1.535 in | 0.512 in | 11.476 in | 0.80 lb |
| 9030 | SAE | 15/16 in | 2.055 in | 0.429 in | 1.791 in | 0.571 in | 13.114 in | 1.17 lb |
| 9032 | SAE | 1 in | 2.055 in | 0.429 in | 1.791 in | 0.571 in | 13.114 in | 1.15 lb |
| 9034 | SAE | 1-1/16 in | 2.22 in | 0.571 in | 1.929 in | 0.61 in | 14.142 in | 1.32 lb |
| 9036 | SAE | 1-1/8 in | 2.469 in | 0.492 in | 2.154 in | 0.669 in | 15.846 in | 1.97 lb |
| 9038D | SAE | 1-1/4 in | 2.634 in | 0.508 in | 2.283 in | 0.689 in | 16.764 in | 2.18 lb |
| 9060D | SAE | 1-5/16 in | 2.744 in | 0.539 in | 2.362 in | 0.689 in | 18.11 in | 2.64 lb |
| 9062D | SAE | 1-3/8 in | 2.744 in | 0.539 in | 2.362 in | 0.689 in | 18.11 in | 2.64 lb |
| 9040 | SAE | 1-7/16 in | 3.114 in | 0.646 in | 2.52 in | 0.807 in | 19.685 in | 3.86 lb |
| 9042 | SAE | 1-1/2 in | 3.114 in | 0.646 in | 2.52 in | 0.807 in | 19.685 in | 3.82 lb |
| 9044 | SAE | 1-9/16 in | 3.409 in | 0.709 in | 2.677 in | 0.866 in | 22.638 in | 5.18 lb |
| 9046D | SAE | 1-5/8 in | 3.409 in | 0.709 in | 2.677 in | 0.866 in | 22.638 in | 5.14 lb |
| 9048 | SAE | 1-11/16 in | 3.626 in | 0.791 in | 2.835 in | 0.925 in | 24.213 in | 5.69 lb |
| 9050D | SAE | 1-3/4 in | 3.626 in | 0.791 in | 2.835 in | 0.925 in | 24.213 in | 5.64 lb |
| 9052D | SAE | 1-13/16 in | 3.85 in | 0.835 in | 2.992 in | 0.984 in | 25.394 in | 7.65 lb |
| 9054D | SAE | 1-7/8 in | 3.85 in | 0.835 in | 2.992 in | 0.984 in | 25.394 in | 7.59 lb |
| 9056D | SAE | 2 in | 4.134 in | 0.835 in | 3.15 in | 1.043 in | 25.787 in | 8.34 lb |
| 9106 | Metric | 6 mm | 0.567 in | 0.181 in | 0.61 in | 0.256 in | 4.921 in | 0.09 lb |
| 9107 | Metric | 7 mm | 0.642 in | 0.189 in | 0.622 in | 0.256 in | 5.236 in | 0.07 lb |
| 9108D | Metric | 8 mm | 0.768 in | 0.197 in | 0.665 in | 0.272 in | 5.508 in | 0.10 lb |
| 9109 | Metric | 9 mm | 0.768 in | 0.213 in | 0.701 in | 0.272 in | 5.882 in | 0.11 lb |
| 9110D | Metric | 10 mm | 0.862 in | 0.224 in | 0.78 in | 0.303 in | 6.256 in | 0.15 lb |
| 9111 | Metric | 11 mm | 0.953 in | 0.252 in | 0.854 in | 0.323 in | 6.508 in | 0.15 lb |
| 9112 | Metric | 12 mm | 1.047 in | 0.291 in | 0.906 in | 0.339 in | 6.756 in | 0.20 lb |
| 9113D | Metric | 13 mm | 1.146 in | 0.319 in | 0.984 in | 0.339 in | 7.008 in | 0.23 lb |

| Cat. No. | SAE/Metric | Fastener Size | End A Width | End A Thickness | End B Width | End B Thickness | Overall Length | Product Weight |
|----------|------------|---------------|-------------|-----------------|-------------|-----------------|----------------|----------------|
| 9114D | Metric | 14 mm | 1.228 in | 0.327 in | 1.035 in | 0.37 in | 7.504 in | 0.27 lb |
| 9115D | Metric | 15 mm | 1.327 in | 0.327 in | 1.13 in | 0.39 in | 7.854 in | 0.25 lb |
| 9116D | Metric | 16 mm | 1.358 in | 0.346 in | 1.201 in | 0.406 in | 8.201 in | 0.33 lb |
| 9117D | Metric | 17 mm | 1.492 in | 0.362 in | 1.272 in | 0.421 in | 8.878 in | 0.38 lb |
| 9118D | Metric | 18 mm | 1.583 in | 0.37 in | 1.307 in | 0.441 in | 9.311 in | 0.46 lb |
| 9119 | Metric | 19 mm | 1.626 in | 0.374 in | 1.339 in | 0.441 in | 9.764 in | 0.47 lb |
| 9120 | Metric | 20 mm | 1.811 in | 0.39 in | 1.535 in | 0.512 in | 11.476 in | 0.78 lb |
| 9121 | Metric | 21 mm | 1.811 in | 0.39 in | 1.535 in | 0.512 in | 11.476 in | 0.81 lb |
| 9122 | Metric | 22 mm | 1.811 in | 0.39 in | 1.535 in | 0.512 in | 11.476 in | 0.80 lb |
| 9124 | Metric | 24 mm | 2.055 in | 0.429 in | 1.791 in | 0.571 in | 13.114 in | 1.15 lb |
| 9125D | Metric | 25 mm | 2.055 in | 0.429 in | 1.791 in | 0.571 in | 13.114 in | 1.16 lb |
| 9127D | Metric | 27 mm | 2.22 in | 0.571 in | 1.929 in | 0.61 in | 14.142 in | 1.32 lb |
| 9130D | Metric | 30 mm | 2.469 in | 0.492 in | 2.154 in | 0.669 in | 15.846 in | 1.75 lb |
| 9132 | Metric | 32 mm | 2.634 in | 0.508 in | 2.283 in | 0.689 in | 16.764 in | 2.21 lb |
| 9134D | Metric | 34 mm | 2.744 in | 0.539 in | 2.362 in | 0.689 in | 18.11 in | 2.61 lb |
| 9136 | Metric | 36 mm | 3.114 in | 0.646 in | 2.52 in | 0.807 in | 19.685 in | 4.45 lb |
| 9141D | Metric | 41 mm | 3.409 in | 0.709 in | 2.677 in | 0.866 in | 22.638 in | 5.73 lb |
| 9146D | Metric | 46 mm | 3.85 in | 0.835 in | 2.992 in | 0.984 in | 25.394 in | 7.92 lb |
| 9150 | Metric | 50 mm | 4.134 in | 0.835 in | 3.15 in | 1.043 in | 25.787 in | 8.78 lb |

14 Pc. 12 Point SAE/Metric Stubby Combination Ratcheting Wrench Set

- 72 tooth ratcheting box end needs a minimal 5° to move fasteners vs. 30° for standard wrenches
- Off-corner loading design on box end provides better grip and reduces fastener rounding
- Thin head and beam provide greater access in confined work areas
- Manufactured from alloy steel for better strength and longer tool life
- Bright, full polish chrome finish easily wipes clean and resists corrosion
- Stubby beam length for when clearance is limited
- Meets or exceeds ASME and ANSI specifications
- Included tray for storage and organization



| Cat. No. | Included Storage | Product Weight |
|----------|------------------|----------------|
| 85206 | Tray | 3.740 lb |

| Cat. No. | Description | Cat. No. | Description |
|----------|--|----------|--|
| 9500DD | 3/8" 12 Point Stubby Ratcheting Combination Wrench | 9510DD | 10mm 12 Point Stubby Ratcheting Combination Wrench |
| 9501DD | 7/16" 12 Point Stubby Ratcheting Combination Wrench | 9511D | 11mm 12 Point Stubby Ratcheting Combination Wrench |
| 9502D | 1/2" 12 Point Stubby Ratcheting Combination Wrench | 9512D | 12mm 12 Point Stubby Ratcheting Combination Wrench |
| 9503D | 9/16" 12 Point Stubby Ratcheting Combination Wrench | 9513D | 13mm 12 Point Stubby Ratcheting Combination Wrench |
| 9504D | 5/8" 12 Point Stubby Ratcheting Combination Wrench | 9514D | 14mm 12 Point Stubby Ratcheting Combination Wrench |
| 9505D | 11/16" 12 Point Stubby Ratcheting Combination Wrench | 9515D | 15mm 12 Point Stubby Ratcheting Combination Wrench |
| 9506D | 3/4" 12 Point Stubby Ratcheting Combination Wrench | 9518D | 18mm 12 Point Stubby Ratcheting Combination Wrench |