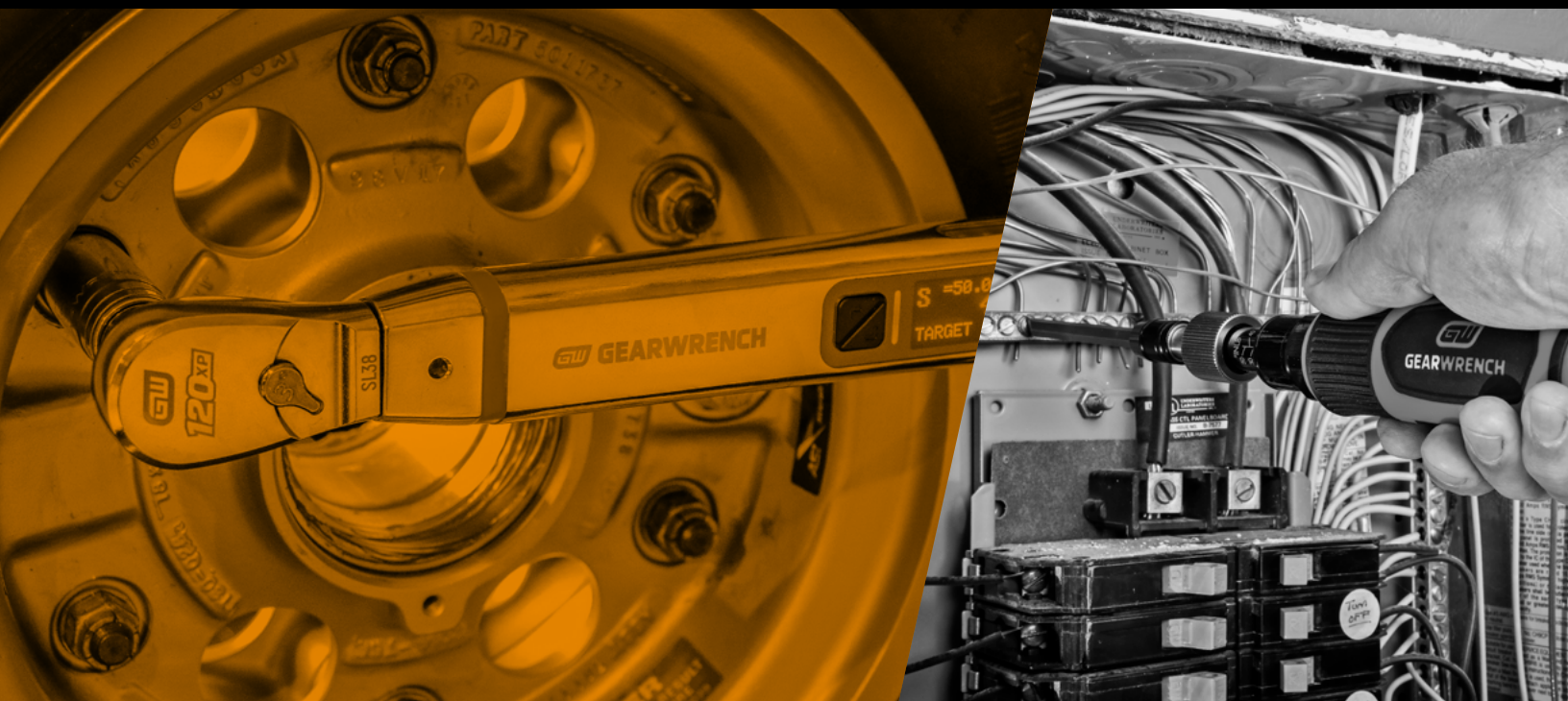


GEARWRENCH

FORGE AHEAD



Torque Products for Industry



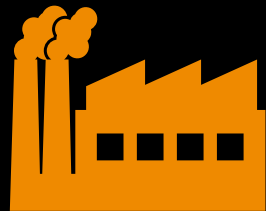
Torque Products for Industry

Regardless of industry, when there is a requirement for the precise application of torque, GEARWRENCH has the right tool for the job. From structural steel framing to concrete anchor bolts to electrical clamps, GEARWRENCH torque wrenches are up to the task, meeting or exceeding ASME requirements for a wide range of fastener applications.



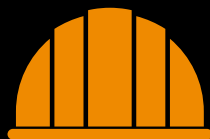
AUTOMOTIVE

- 120XP Micrometer Torque Wrenches
- 120XP Electronic with Angle Torque Wrenches



PLANT MAINTENANCE

- "E-Spec" Torque Wrenches
- 3/4" and 1" Drive Mechanical and Electronic Torque Wrenches
- Torque Testers
- Service and Calibration Program



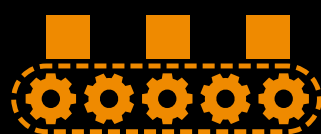
CONSTRUCTION

- 3/4" and 1" Drive Mechanical and Electronic Torque Wrenches
- Cross Reference to Concrete Anchor Applications



ELECTRICAL

- Torque Screwdrivers
- 20pc. Electrical Service Kit
- Cross Reference to Terminal Connections



ASSEMBLY

- "E-Spec" Torque Wrenches
- Preset Torque Wrenches
- Interchangeable Head Torque Wrenches
- Torque Screwdrivers

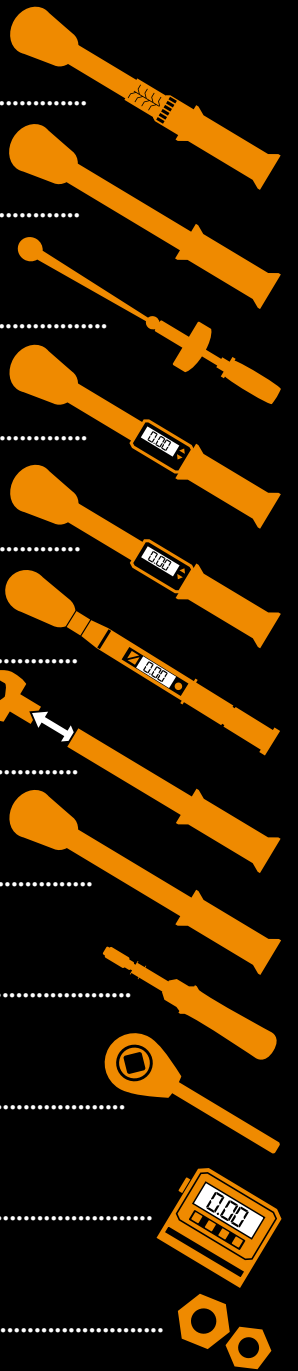


GEARWRENCH

GEARWRENCH has been an innovator in the manufacture of torque wrenches since early in its history. Our promise is to meet the demanding needs of professional users by supplying high quality products and expert support. With design innovations on everything from micrometer "click" wrenches to full featured electronic torque wrenches, we continue to provide an expanding selection of high performance torque products. This guide covers the full line of GEARWRENCH torque wrenches and related products, including recent additions of proven designs in new product categories.

CONTENTS

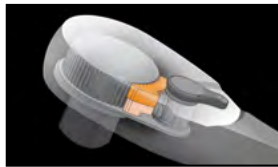
120XP Micrometer Torque Wrenches.....	4
Micrometer Torque Wrenches.....	4
Beam Torque Wrenches.....	5
120XP Electronic Torque Wrenches.....	6
Standard Electronic Torque Wrenches.....	6
120XP E-Spec Connected Wrenches.....	7
Interchangeable Torque Wrenches.....	10
Preset Torque Wrenches.....	11
Torque Screwdrivers.....	15
Torque Multipliers.....	16
Torque Testers.....	16
Replacement Parts.....	17
Torque Conversion Charts.....	18
Warranty and Service Program.....	20



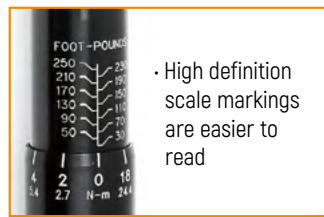
120^{XP} Micrometer Torque Wrenches

- Accurate in clockwise direction +/- 3% from 20% to 100% of full scale
- Meets or exceeds ASME B107.300
- Enclosed head design for extreme resistance to dirt infiltration
- Teardrop low profile head and flush mounted on/off switch allow better access in tight spaces
- Pull back locking collar

- Injection molded cases with removable lids for convenient storage

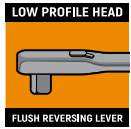
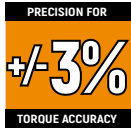


- 120 positions, 3 degree ratcheting arc



- High definition scale markings are easier to read

- Dual Scales, Metric and SAE



85181
1/2" Drive

- Pull back locking collar
- Knurled aluminum grip
- Midpoint marked for accuracy

Cat. No.	Certified Model No.	Drive Size	Head Style	Primary Scale Range	Primary Scale Increments	Alt. Scale Range	Alt Scale Increments	Tooth Count	Head Thickness (in)	Head Width (in)	Overall Length (in)	Product Weight
85171	85171CERT	1/4"	Standard	30-200 in/lbs	1 in/lb	4 - 23 Nm	0.11 Nm	60T/120 Pos.	0.39	1	11	0.85
85176	85176CERT	3/8"	Standard	10-100 ft/lbs	1 ft/lb	20 - 142 Nm	1.4 Nm	60T/120 Pos.	0.55	1.25	18.35	2.55
85181	85181CERT	1/2"	Standard	30-250 ft/lbs	2 ft/lb	54 - 353 Nm	2.7 Nm	60T/120 Pos.	0.75	1.75	24.875	3.7
85174	85174CERT	3/8"	Standard	30 - 250 in/lbs	1 in/lb	4 - 23 Nm	0.11 Nm	60T/120 Pos.	0.55	1.25	18.25	2.55
85180	85180CERT	1/2"	Standard	20 - 150 ft/lbs	1 ft/lb	27 - 203 Nm	1.4 Nm	60T/120 Pos.	0.75	1.75	24.88	3.7
85188	85188CERT	3/8"	Flex	5-75 ft/lbs	1 ft/lb	7 - 136 Nm	1.4 Nm	60T/120 Pos.	0.55	1.25	18.5	2.6
85189	85189CERT	1/2"	Flex	30-250 ft/lbs	2 ft/lb	54 - 353 Nm	2.7 Nm	60T/120 Pos.	0.75	1.75	26	4

Micrometer Torque Wrenches

- Meets or exceeds ASME B107.300

- Non-slip metal knurling handle grip for superior hold

- Accurate in clockwise direction +/- 3% from 20% to 100% of full scale

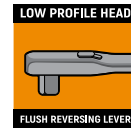
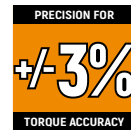
- Thin profile, sealed tear-drop head design for access and durability



85066
1/2" Drive

- Scale markings are highly visible and easy to read

- Pull back locking collar



Cat. No.	Certified Model No.	Drive Size	Head Style	Primary Scale Range	Primary Scale Increments	Alt. Scale Range	Alt Scale Increments	Tooth Count	Head Thickness (in)	Head Width (in)	Overall Length (in)	Product Weight
85060	85060CERT	1/4"	Standard	30-200 in/lbs	1 in/lb	4 - 23 Nm	0.1	22	0.54	11	10.5	0.8
85061	85061CERT	3/8"	Standard	20-250 in/lbs	1 in/lb	5 - 29 Nm	0.2	30	0.72	14	14	1.95
85062	85062CERT	3/8"	Standard	10-100 ft/lbs	1 ft/lb	20 - 142 Nm	1	30	0.72	14	18	2.5
85063	85063CERT	1/2"	Standard	20-150 ft/lbs	1 ft/lb	34 - 210 Nm	1	32	0.81	1.75	21.9	3.1
85066	85066CERT	1/2"	Standard	30-250 ft/lbs	2 ft/lb	54 - 353 Nm	3	32	0.81	1.75	24.3	3.5
85086	85086CERT	3/8"	Flex	5-75 ft/lbs	5 ft/lb	10 - 105 Nm	1	30	0.72	1.4	17.7	2.42
85087	85087CERT	1/2"	Flex	30-250 ft/lbs	2 ft/lb	54 - 353 Nm	3	36	0.93	1.75	25.25	3.82

3/4" & 1" Micrometer Torque Wrenches

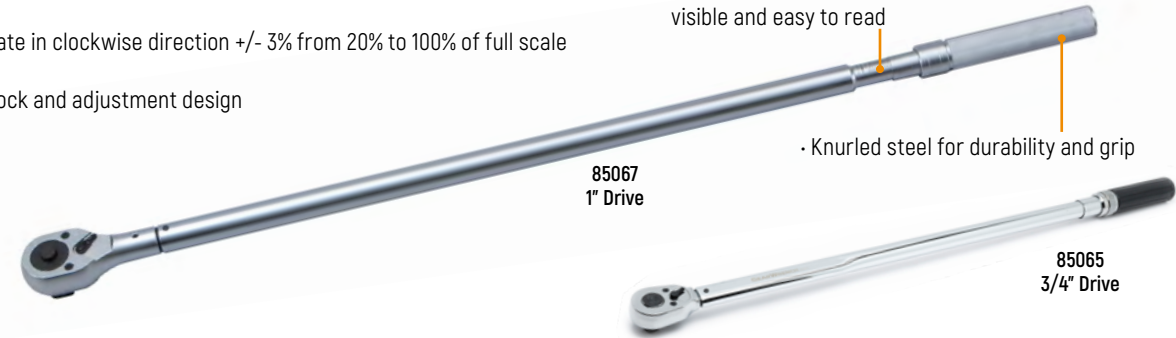
- Meets or exceeds ASME B107.300

- Accurate in clockwise direction +/- 3% from 20% to 100% of full scale

- Easy lock and adjustment design

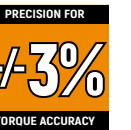
- Scale markings are highly visible and easy to read

- Knurled steel for durability and grip



85067
1" Drive

85065
3/4" Drive



Cat. No.	Certified Model No.	Drive Size	Head Style	Primary Scale Range	Primary Scale Increments	Alt. Scale Range	Alt Scale Increments	Tooth Count	Head Thickness (in)	Head Width (in)	Overall Length (in)	Product Weight
85065	85065CERT	3/4"	Standard	100-600 ft/lbs	2.5 ft/lb	153 - 831 Nm	4	36	1.14	2.62	42.4	15.8
85067		1"	Standard	150-750 ft/lbs	5 ft/lb	237-983	5	24	1.34	2.76	48.81	14.08
85068		1"	Standard	200-1000 ft/lbs	5 ft/lb	305-1322	5	24	1.34	2.76	73	23.32

Tire Shop Micrometer Torque Wrench

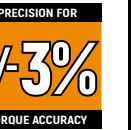
- Use for checking wheel lug nuts to manufacturers recommended torque value

- Pull adjustment collar for easy and quick torque setting changes

- Scale markings are highly visible and easy to read

- Tough "Tire Tread" rubber cover on head, lock ring and handle provides cushioning effect to reduce fatigue and tool damage

- Accurate in clockwise direction +/- 3% from 20% to 100% of full scale



Cat. No.	Drive Size	Head Style	Primary Scale Range	Primary Scale Increments	Alt. Scale Range	Alt Scale Increments	Tooth Count	Head Thickness (in)	Head Width (in)	Overall Length (in)	Product Weight
85088	1/2"	Standard - Protective Boot	30-250 in/lbs	2 in/lb	54.2 - 352.6 Nm	2.7 Nm	32	0.99	2.21	24.9	3.47

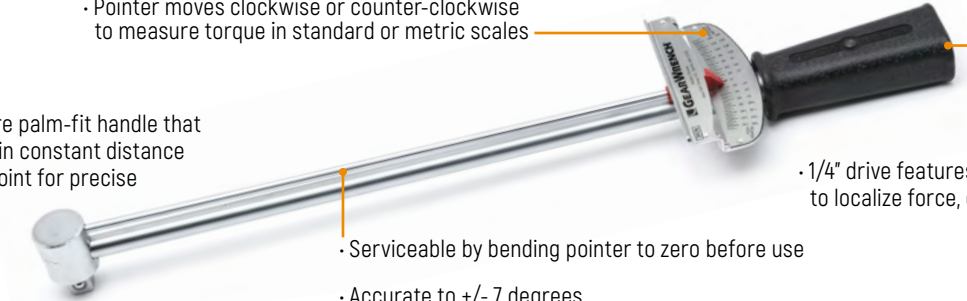
Beam Torque Wrenches

- Pointer moves clockwise or counter-clockwise to measure torque in standard or metric scales

- Palm-fit handle

- 3/8" and 1/2" drives feature palm-fit handle that pivots on beam to maintain constant distance from drive point to load point for precise measurement

- 1/4" drive features ball-type handle to localize force, ensuring accuracy



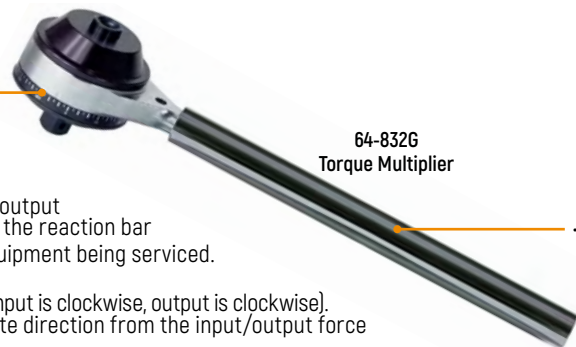
- Serviceable by bending pointer to zero before use

- Accurate to +/- 7 degrees

Cat. No.	Drive Size	Primary Scale Range	Primary Scale Increments	Alt. Scale Range	Alt Scale Increments	Head Thickness (in)	Head Width (in)	Overall Length (in)	Product Weight (lb)
2955N	1/4"	0 - 80 in/lb	2.5 in/lb	0-9 Nm	25 Nm	1.325	0.8125	11.25	0.8
2956N	3/8"	0-800 in/lb	50 in/lb	0-90 Nm	12 Nm	1.325	0.8125	16	1
2957N	1/2"	0-150 ft/lb	5 ft/lb	0-190 Nm	27 Nm	1.25	1.125	20	2.5

Torque Multipliers

- Internal planetary gear system provides strength and durability



64-832G
Torque Multiplier

- The torque multiplier with an impact socket on the output square is placed on the fastener to be turned with the reaction bar restrained against some substantial part of the equipment being serviced.

- Low input torque is required and can be applied easily by one person

- Input and output rotation directions are the same (if input is clockwise, output is clockwise). Torque reaction on the reaction arm is in the opposite direction from the input/output force

Cat. No.	Input Drive	Output Drive	Max Input (ft/lb)	Max Output (ft/lb)	Gear Ratio	Torque Ratio	Torque Multiplier Type	Head Thickness	Head Width	Overall Length	Product Weight (lb)	Replacement Square Drive
64-830G	1/2"	3/4"	227 ft/lb	750 ft/lb	4.0:1	3.3:1	Reaction Bar	3.3"	2.812"	8.531"	4.7	
64-832G	1/2"	3/4"	200 ft/lb	1200 ft/lb	6.3:1	6.0:1	Reaction Bar	4"	3.94"	14.125"	9.1	64-850G
64-833G	3/4"	1"	500 ft/lb	2000 ft/lb	4.7:1	3.5:1	Reaction Bar	4.5"	3.8"	19.5"	14	
64-834G	1/2"	1"	162 ft/lb	2200 ft/lb	15.0:1	13.6:1	Reaction Bar	5.7"	4.031"	20"	20.6	64-851G
64-836G	1/2"	1"	173 ft/lb	3200 ft/lb	20.2:1	18.5:1	Reaction Bar	6.5"	4.031"	20"	22.1	64-852G

Bench Top Torque Testers

- Designed for inspection of torque wrenches in production workshop;
- Accuracy: +/- 1%
- Three modes: Track, Peak, First Peak
- Lb.ft, Lb.in, Nm and Kg.cm
- Backlight for dark working condition
- Four screw bolts that can be fixed on the workbench or other base plate;

- Built-in rechargeable lithium battery, or full time AC connection
- Percentage error between the measured value and the set value, no more manual calculation;
- 1500 data storage
- Data upload through the USB interface;
- 10 minutes automatic shutdown function
- Audible and visual alarm



89633
1/2" drive

Cat. No.	Drive Size	Primary Range	Accuracy	(A) Height (in)	(B) Width (in)	(C) Length (in)	Product Weight (lb)
89631	1/4"	Bench Tester 10-100 In/lb [11-113.3Nm]	+/- 1%	3.35"	5.35"	5.31"	4.8
89632	3/8"	Bench Tester 3-30 Ft/lb [41-40.7Nm]	+/- 1%	3.35"	5.35"	5.31"	5.7
89633	1/2"	Bench Tester 10-100 FT LB [13.6-135.6Nm]	+/- 1%	3.35"	5.35"	5.31"	6.4
89634	1/2"	Bench Tester 25-250 Ft/lb [33.9-339.0Nm]	+/- 1%	3.35"	5.35"	5.31"	6.8
89635	3/4"	Bench Tester 75-750 FT/LB [101.7-1016.9Nm]	+/- 1%	3.35"	5.35"	5.31"	7.5

Touch Screen and Transducer

- Within 10% - 100% of full load value, accuracy +/- 0.5%;
- 7" color touch screen;
- Three Modes: Track, Peak, First peak
- Three Interfaces: Regular, Preset, Curve
- Multiple Units: N.m, cN.m, kg.m, ck.gm, Lb.ft, Lb.in, Oz.in
- Easy menu operation mode;
- Upload data through the USB interface;
- Compatible with 89640 Torque Testing Stand

- Automatically store 15 test reading while testing the torque wrench;
- Preset parameter 100 groups;
- 5000 data can be stored;



89639
1/2" drive

Cat. No.	Drive Size	Primary Range	Accuracy	(A) Height (in)	(B) Width (in)	(C) Length (in)	Product Weight (lb)
89636	1/4"	Bench Tester 10-100 In/lb [11-113.3Nm]	+/- .5%	3"	4"	4"	4.6
89637	3/8"	Bench Tester 3.0-30 Ft/lb [41-40.7Nm]	+/- .5%	3"	4"	4"	5.1
89638	1/2"	Bench Tester 10-100 FT LB [13.6-135.6Nm]	+/- .5%	3"	4"	4"	5.4
89639	1/2"	Bench Tester 30-300 Ft/lb [40.7-406.7Nm]	+/- .5%	3"	4"	4"	5.6

Torque Testing Stand and Fixture

- Large diameter wheel for easy and smooth application
- Instrument rack tray is adjustable for ease of use
- Adjustable to accommodate different wrench lengths
- Torque tester not included



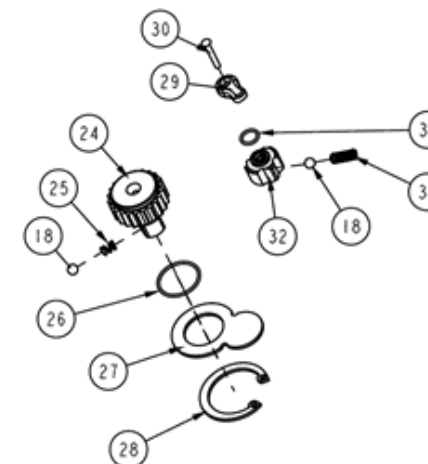
Cat. No.	Drive Size	Primary Range
89636	1/4"	Bench Tester 10-100 In/lb [11-113.3Nm]
89637	3/8"	Bench Tester 3.0-30 Ft/lb [41-40.7Nm]
89638	1/2"	Bench Tester 10-100 FT LB [13.6-135.6Nm]
89639	1/2"	Bench Tester 30-300 Ft/lb [40.7-406.7Nm]

Cat. No.	Drive Size	(A) Height (in)	(B) Width (in)	(C) Length (in)	Product Weight (lb)
89640	1/4", 3/8" & 1/2"	23.2"	114"	33.9"	71.7

Torque Wrench Replacement Parts

Wrench No.	Description	Kit Cat. No.
120XP Torque Wrench Repair Kits		
85171	WR TRQ Micro 1/4" DR. 30-200 in/lb 120XP	81099P
85176	WR TRQ Micro 3/8" DR. 10-100FT/LB 120XP	81227P
85181	WR TRQ Micro 1/2" DR. 30-250FT/LB 120XP	81339P
85174	WR TRQ Micro 3/8" DR. 30-250 IN 120XP	81227P
85180	WR TRQ Micro 1/2" DR. 20-150 FT 120XP	81339P
85188	TRQ WR Flex Head 3/8" DR. 10-100 FT-LB 120XP	81227P
85189	TRQ WR Flex Head 1/2" DR. 30-250FT-LB 120XP	81339P
Standard Torque Wrenches		
85060	WR TRQ Micro 1/4" DR. 30-200 IN/LB	89224
85061	WR TRQ Micro 3/8" DR. 30-250FT/LB	89225
85062	WR TRQ Micro 3/8" DR. 10-100FT/LB	89225
85063	WR TRQ Micro 1/2" DR. 20-150 FT	89226
85066	WR TRQ Micro 1/2" DR. 30-250 FT	89226
85086	TRQ WR FLEX HEAD 3/8" DR. 5-75 FT-LB	89225
85087	TRQ WR FLEX HEAD 1/2" DR. 30-250 FT-LB	89228
85088	TRQ WR TIRE SHOP 1/2" DR. 30-250 FT-LB	89226
85065	TRQ WR Micro 3/4" DR. 100-600 FT LB	89227

Wrench No.	Description	Kit Cat. No.
E-Spec Torque Wrenches		
85235	1/4" DR. 5-25NM FIXED HEAD E-SPEC ETW	81099P
85236	3/8" DR. 14 - 272 NM FIXED HEAD E-SPEC ETW	81227P
85237	3/8" DR. 20-100NM FIXED HEAD E-SPEC ETW	81339P
85238	1/2" DR. 68-340 NM FIXED HEAD E-SPEC ETW	81227P
85235-01	1/4" DR. 5-25NM FIXED HEAD E-SPEC ETW - ONLY	81099P
85236-01	3/8" DR. 14 - 272 NM FIXED HEAD E-SPEC ETW - ONLY	81227P
85237-01	3/8" DR. 20-100NM FIXED HEAD E-SPEC ETW - ONLY	81339P
85238-01	1/2" DR. 68-340 NM FIXED HEAD E-SPEC ETW - ONLY	81227P
Interchangeable Ratchet Heads		
89614	120XP RATCHETING HEAD 1/4" DR. 9X12	81099P
89615	120XP RATCHETING HEAD 3/8" DR. 9X12	81227P
89616	120XP RATCHETING HEAD 1/2" DR. 14X8	81339P
89617	120XP FLEX RATCHETING HEAD 1/4" DR. 9X12	81099P
89618	120XP FLEX RATCHETING HEAD 3/8" DR. 9X12	81227P
89619	120XP FLEX RATCHETING HEAD 1/2" DR. 14X18	81339P



Warranty Information

GEARWRENCH branded torque wrenches have a one year limited part warranty. Accuracy standards for calibration are warranted for 90 days from the date of the buyer delivery.

Apex Tool Group offers a comprehensive warranty and service plan with exclusive torque wrench repair partners for all GEARWRENCH and previously Apex Tool Group manufactured torque wrenches.

Warranty/Repair Partners are: Angle Repair (U.S.A.) and McCann Equipment (Canada). See below contact information.

Warranty within warranty period: (1 year part warranty)

Repair Center will determine if wrench can be repaired. If wrench is determined to be unrepairable or parts are no longer available, a new wrench at same or equivalent value will be provided. Wrenches found to be misused or abused are not covered under this warranty.

Repair outside of warranty:

Repair Center will determine if wrench can be repaired. If not, Customers will be offered the opportunity to purchase a new GEARWRENCH branded Torque Wrench of equal value at a special replacement price. Any current or previously Apex Manufactured Torque Wrenches are covered under this plan. Repair Center will determine and advise of eligibility.

Wrenches found to be misused or abused are not covered under this warranty. Transactions for the purchase or repair of new Torque Wrenches are between the Customer and Repair Center.

Recalibration:

Apex Tool Group, will continue to offer a recalibration service through our exclusive Repair centers below. Wrenches found to be outside of calibration within 90 days from date of the buyer delivery will be recalibrated at no charge. Service Centers offer recalibration at cost outside of warranty.

Torque Wrench Warranty Service Information:

Micrometer and Electronic Torque Products:

In the U.S.A.
Angle Repair & Calibration Service, Inc.
175 Angle Drive
Beckley, West Virginia 25801
Phone: 304-253-5729

Micrometer and Electronic Torque Products: In CANADA

McCann Equipment LTD.
2750 Coventry Road, Oakville, Ontario L6H 6R1
Phone: (905) 829-3393 Fax: (905)829-0633

McCann Equipment LTD.
Equipment McCann LTÉE
10255 Cote de Liesse, Dorval, Quebec H9P 1A3
Phone: (514) 636-6344 Fax: (514) 636-0365

McCann Equipment LTD.
1489 Dublin Avenue, Winnipeg, Manitoba R3E 3G8
Phone: (204) 774-2277 Fax: (204) 774-2358

McCann Equipment LTD.
4120-97th Street,
Edmonton, Alberta T6E 5V6
Phone: (780) 414-1808 Fax: (780) 414-1865

Canada West Torque Tools
(Division of McCann Equipment Ltd.)
#7-7533-135th Street, Surrey,
British Columbia V3W 0N6
Phone: (604) 596-4077 Fax: (604) 596-6479



All GEARWRENCH torque wrenches are properly calibrated and tested prior to shipment from our factories in accordance with ASME standards. Each wrench contains a dated Certificate of Calibration with the corresponding serial number and testing results and kept on file.

Copies of original Certificates are retained on file at Apex Tool Group for a period of 3 years and available upon request.

In addition, Apex Tool provides additional Certification on selected models accompanied with the Suffix CERT and can be ordered with other products.