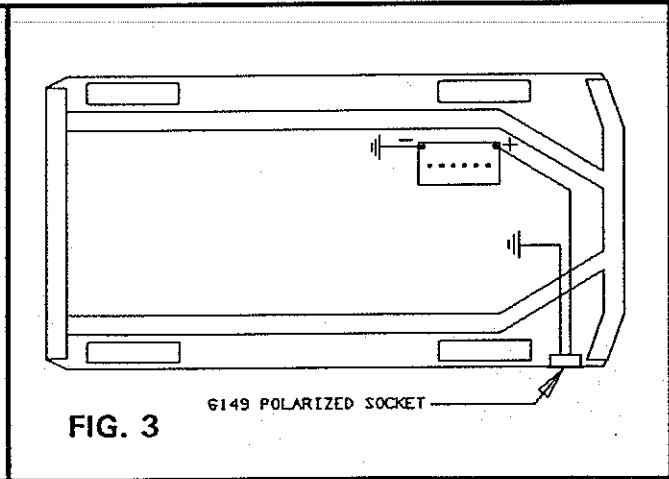
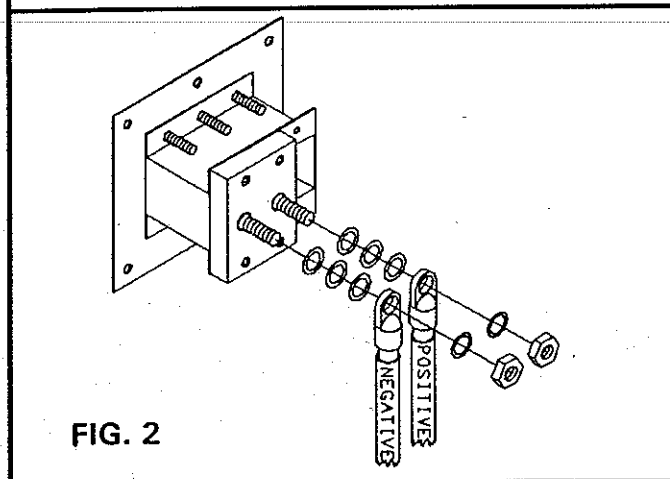
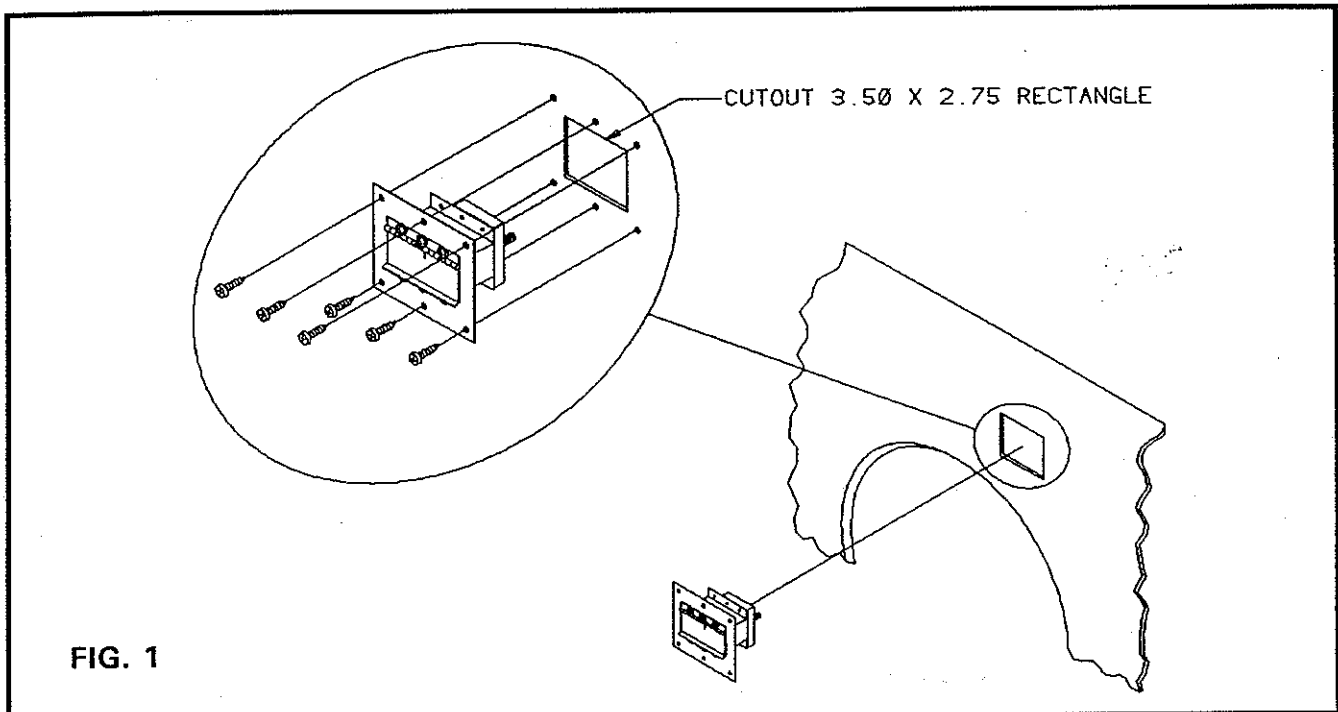


INSTALLATION INSTRUCTIONS FOR 6149 POLARIZED SOCKET

1. Choose a relatively flat area on the vehicle. Cut a 3.5" x 2.75" rectangle using the template provided (fig #4).
2. Place the 6149 socket in the hole as shown in fig. #1. Using a #29 or 9/64" drill bit, drill 6 holes, using the mounting plate as a template. Mount the socket, using the six #10 sheet metal screws provided.
3. Using the cable marked with red tape, connect the larger end to the innermost stud on the socket using three flat washer, one split lock washer and one nut (fig. #2). Tighten the nut until the split lock washer flattens. **CAUTION:** The studs are solid copper, over tightening will cause the studs to break. Connect the opposite end to the Positive battery terminal.
4. Connect the other cable to the outermost stud and ground to the engine block if possible. If the cable is not long enough, ground to the vehicle frame and be sure there is a good ground between the engine block and the frame. This ground should be 3ga. cable or larger. Refer to Fig. #3.



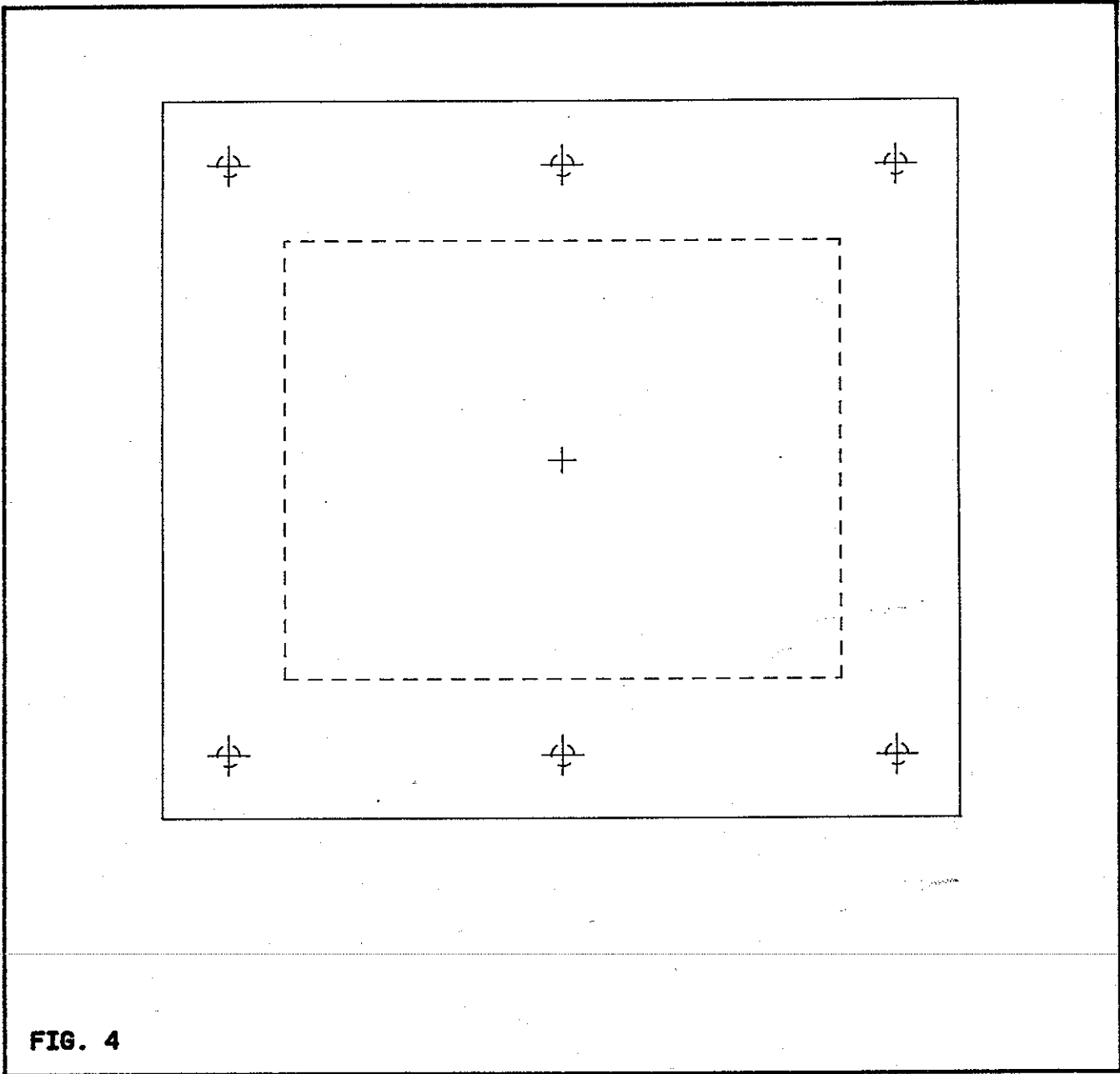


FIG. 4

NOTES:

1. PICK A RELATIVELY FLAT SURFACE
2. CUT A 3.5" X 2.5" HOLE ALONG THE DOTTED RECTANGLE.
3. USE A 9/64" OR #29 DRILL BIT TO DRILL 6 HOLES AT THE INDICATED CENTER POINTS.