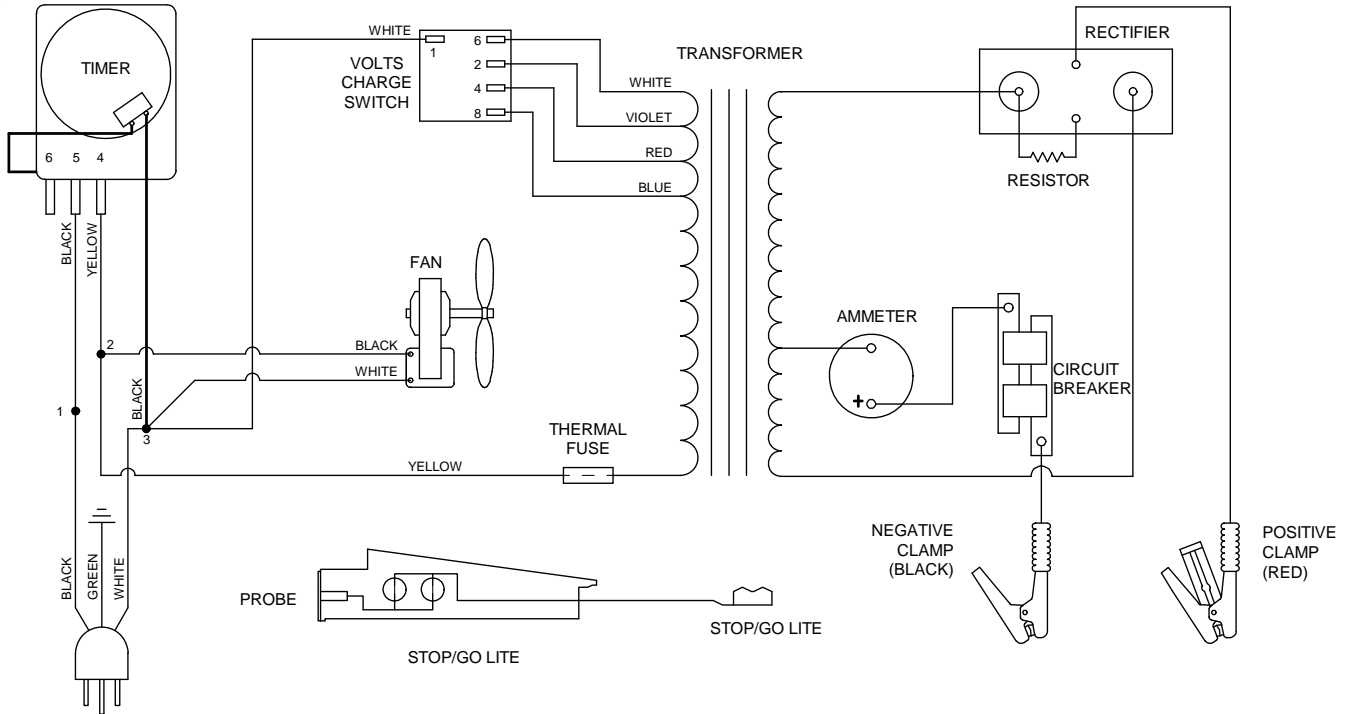
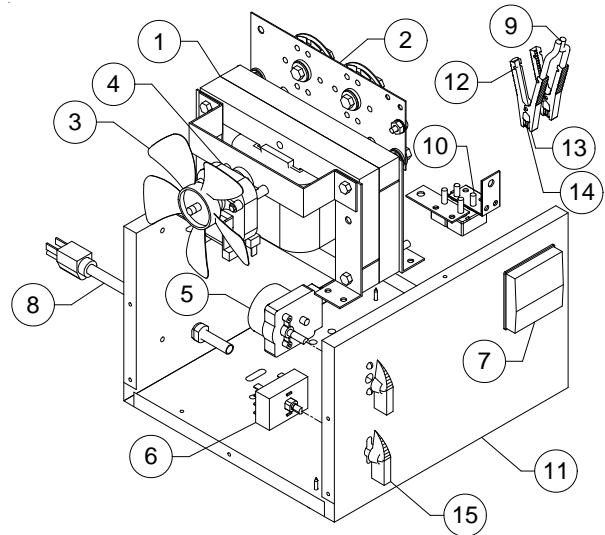


6010A ADDENDUM REV. 01/12 REPAIR PARTS AND WIRING DIAGRAM SUPERCEDES REV.01/10



MODEL 6010A PARTS LIST

| Item | Description | Part No. |
|------------------|--------------------------------------|----------|
| 1 | Transformer | 611261 |
| 2 | Rectifier..... | 610364 |
| 3 | Fan Blade..... | 610189 |
| 4 | Fan Motor..... | 610190 |
| 5 | Timer..... | 611245 |
| 6 | Switch w/knob (1)..... | 611187 |
| 7 | Amps Charge Meter..... | 605204 |
| 8 | AC Cord | 611262 |
| 9 | DC Cable set..... | 611134 |
| 10 | DC Circuit Breaker (1)..... | 610069 |
| 11 | Front/Base/Back Panel | 611135 |
| 12 | Stop/Go Lite | 604579 |
| 13 | Clamps (1 pair, includes jaws) | 6202 |
| 14 | Jaw Kit (repairs 1 clamp)..... | 610970 |
| 15 | Knob (1) | 603147 |
| Not shown | | |
| | Top Panel..... | 611025 |
| | Side Panel (2) | 610071 |
| | Handle..... | 610057 |



MAINTENANCE INSTRUCTIONS

Worn clamps and jaws should be replaced. Worn parts can lead to poor connections and present a safety hazard. See parts list for part number of jaw and clamp kits. Any Maintenance or repair of this unit that involves disassembly of the cabinet should be done only by a qualified serviceman. Incorrect reassembly may result in a risk of electric shock when the unit is subsequently used.

ASSOCIATED EQUIPMENT CORPORATION
5043 FARLIN AVENUE ST. LOUIS, MO 63115
TEL. (314)385-5178 FAX. (314)385-3254
www.associatedequip.com

20120112