



MODEL G300 BRAKE BLEEDER

Installation, Operation
& Repair Parts
Information



Branick Industries, Inc. • 4245 Main Avenue • Fargo, North Dakota 58103

THIS PAGE INTENTIONALLY LEFT BLANK

TABLE OF CONTENTS

SAFETY INSTRUCTIONS	3
DEFINITIONS	3
SPECIFICATIONS	4
INTENDED USE	4
INSTALLATION INSTRUCTIONS	4
COMPONENT IDENTIFICATION	5
OPERATING INSTRUCTIONS	6
MAINTENANCE	7
BRAKE BLEEDER REPAIR PARTS	8
ADAPTER REPAIR PARTS	9
ADAPTER INSTRUCTIONS	10
WARRANTY	12

SAFETY INSTRUCTIONS

- NEVER allow unauthorized personnel to operate this product.
- NEVER use this product for anything other than its intended use.
- THOROUGHLY train new employees in the proper use and care of this product.
- PROHIBIT unauthorized personnel from being in shop area while this product is in use.

DEFINITIONS

- **CAUTION:** Indicates a potentially hazardous situation, which if not avoided, may result in damage to property or minor personal injury.
- **HAZARD:** A source of potential injury to a person.
- **MAINTENANCE:** Those actions that preserve the correct and proper conditions under which the machine shall be used. This may include adjustment, replacement of wear items, lubrication and cleaning, but not modifications or repair of damage.
- **MAY:** This word is understood to be permissive.
- **MUST:** This word is understood to be mandatory.
- **OPERATION:** The correct and proper use of the machine as described in this manual.
- **SAFETY ALERT SYMBOL:** A symbol that indicates a potential personal safety hazard. It is composed of an equilateral triangle surrounding an exclamation point.
- **SHALL:** This word is understood to be mandatory.
- **SHOULD:** This word is understood to be advisory.
- **WARNING:** Indicates a potentially hazardous situation, which if not avoided, may result in death or serious personal injury.

CAUTION

- ◆ Before using this product, read and fully understand the operating instructions and all decals on the product. This is necessary to prevent injury to the operator and damage to the product.
- ◆ Do not attempt to use this product for anything other than the intended use.
- ◆ Refer to vehicle service manual for proper bleeding procedure.
- ◆ Do not use Aviation or Hydraulic Fluid with this product. Product damage may result.
- ◆ Avoid allowing Brake Fluid to contact vehicle finished surfaces. Damage to the surface finish may result.
- ◆ Always wear appropriate eye protection.

SPECIFICATIONS

Capacity:	4 gallons
Max Air Pressure:	60±5 psi (4.1±.3 bar)
Dimensional data (h x w x d):	
tank only	16.75" x 13.5" x 13.5"
tank and handle	31" x 13.5" x 13.5"
Weight:	26 lbs (11.8 kgs)

INTENDED USE

The G300 Brake Bleeder is a pneumatic diaphragm device designed to replace old brake fluid with new while purging air bubbles from automotive hydraulic brake systems.

INSTALLATION INSTRUCTIONS

1. Unpack and remove unit from shipping carton.
2. Inspect unit for any visible damage.
3. To install handle assembly to brake bleeder body; loosen thumb screw on handle receiver, insert handle, and tighten thumb screw to secure handle.
4. Install a 1/4 NPT quick coupler nipple to the air inlet on the pressure regulator.
5. Fill with brake fluid following directions in *Filling Fluid Reservoir* section of *OPERATING INSTRUCTIONS*.

CAUTION

Excessive air pressure can result in serious damage to this diaphragm type brake bleeder. Always follow the vehicle manufacturer's recommendations and never exceed 60 psi.

COMPONENT IDENTIFICATION



ITEM DESCRIPTION

1	Handle	8	Air Purge Valve Assembly
2	Bleeder Hose	9	Bleeder Valve
3	Pressure Gauge	10	Air Inlet Valve
4	Air Inlet	11	Filler Port Adapter
5	Filler Port	12	Safety Relief Valve
6	Reservoir	13	Pressure Regulator
7	Quick Coupler	14	Air Inlet Line

OPERATING INSTRUCTIONS

Filling Fluid Reservoir

1. If connected, disconnect the air line from the air inlet. Open the air inlet valve to allow remaining air to escape (Fig. 1).
2. Remove the bleeder hose from the top of reservoir by unscrewing (counterclockwise) the filler port adapter under the red plastic cap and moving the hose away from the filler port (Fig. 2).
3. If refilling, the internal rubber diaphragm might be inverted inside the tank and must be gently pushed back into place using the handle or a clean blunt instrument inserted through the filler port (Fig. 3).

Note: Using a sharp object or too much force can damage the rubber diaphragm.



Figure 1



Figure 2



Figure 3

4. Insert a plastic funnel tightly into the filler port and fill with brake fluid (Fig. 4). If the reservoir overfills and fluid enters the funnel, use the suction syringe to remove any excess.
5. To re-install the bleeder hose on the filler port, place the filler port adapter on the filler port and turn it clockwise. Hand tighten until snug.
6. Check the ball valve on the bleeder hose to ensure it is closed (turn clockwise until it stops).

Pressurizing Brake Bleeder

Note: Maximum pressure is 60 psi.

1. If the air inlet valve is open, close the valve and connect the air line.
2. To adjust the bleeder air pressure pull down on the regulator knob and turn (Fig. 5) until the desired pressure is shown on the pressure gauge. Open the air inlet valve.
3. Insert the air purge valve assembly into the quick coupler on the end of the bleeder hose.
4. Open the bleeder valve and bleed air from the hose and reservoir by opening the purge valve (counterclockwise) over a container (Fig. 6). This is complete when the fluid produces a smooth steady stream.
5. To maintain constant bleeder pressure, leave the air line attached to the regulator. If desired, the air line can be removed from the regulator. Close air inlet valve before removing air line to maintain pressure.



Figure 4



Figure 5



Figure 6

Brake Bleeding Procedure

1. Refer to vehicle service manual to determine appropriate pressure and adjust accordingly by adding or removing pressure.
2. If a new master cylinder is being installed, bench bleed it before installation.
3. Fill the vehicle master cylinder to its maximum level or approximately ½" below master cylinder reservoir rim. DO NOT fill to top. The air pocket left in the reservoir will act as a trap for any air bubbles present or created during the bleeding process.
4. Determine appropriate adapter for the vehicle being serviced based on the *Adapter Guide* and install on the vehicle master cylinder according to *Brake Bleeder Adapter Instructions*. If present, remove the air purge valve assembly connect the bleeder hose to installed adapter.
5. Check all bleeder connections and vehicle's brake lines for leaks. If a leak is detected; close the bleeder valve, wrap a rag around the quick coupler to prevent drips and disconnect the quick coupler from the adapter. Correct the problem before proceeding.
6. If the vehicle master cylinder and/or booster unit have bleed screws, bleed these prior to bleeding wheels.

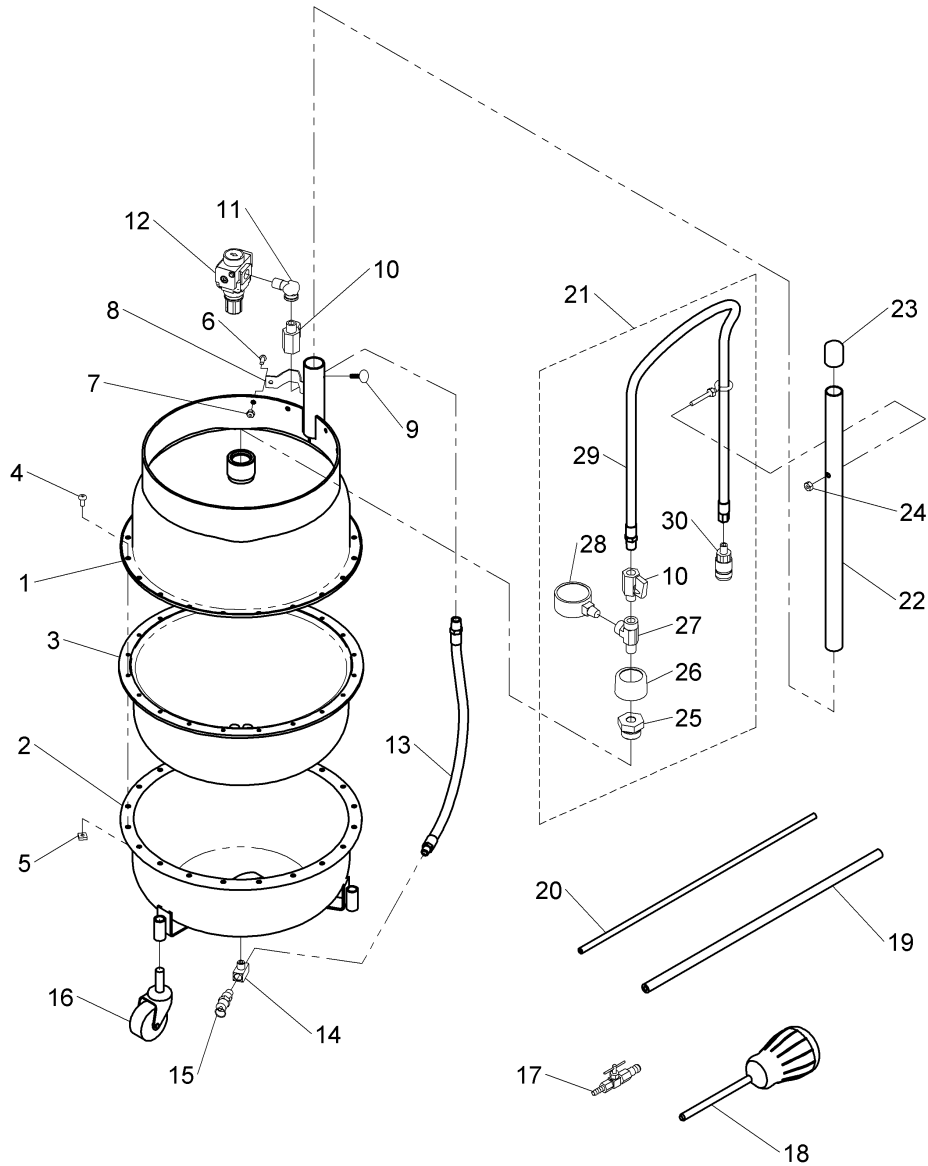
Note: Always refer to vehicle service manual for proper bleeding procedure.

7. Apply the brake pedal. If the pedal feels soft, repeat bleeding operation.
8. When bleeding is complete, close the bleeder valve, wrap a rag around the quick coupler to prevent drips and disconnect from adapter at master cylinder.
9. Remove the adapter from the master cylinder.
10. Check brake fluid level in the master cylinder and add or remove as needed for correct level.
11. Replace the master cylinder cover.

MAINTENANCE

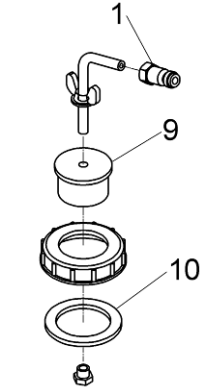
ALWAYS: Keep brake bleeder, adapters, and other accessories clean to prevent contaminants from entering the brake fluid.

REPAIR PARTS

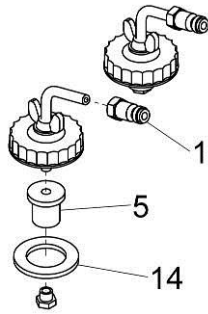


ITEM	PART NO	QTY	DESCRIPTION	ITEM	PART NO	QTY	DESCRIPTION
1	03-0626	1	Reservoir Top	16	106-022	3	Swivel Caster
2	861-010	1	Reservoir Bottom	17	901-063	1	Air Purge Valve Assembly
3	041-076	1	Bleeder Diaphragm	18	885-098	1	Syringe
4	028-392	20	#12-24 X 1/2 Machine Screw	19	646-230	1	Bleeder Tube - 1/4 Dia.
5	055-174	20	#12-24 Square Nut	20	646-229	1	Bleeder Tube - 3/16 Dia.
6	028-179	2	#10-24 X 1/2 Machine Screw	21	62-0042	1	Bleeder Hose Assembly
7	055-127	2	#10-24 Hex Lock Nut	22	070-106	1	Handle
8	72-0206	1	Ball Valve Bracket	23	550-020	1	Vinyl Cap
9	50-0176	1	1/4-20 X 1/2 Thumb Screw	24	055-052	2	1/4-20 Hex Nut
10	60-0117	2	1/4 NPT M X F Mini Ball Valve	25	60-0346	1	Filler Port Adapter
11	60-0194	1	1/4 NPT M X F Elbow	26	11-0114	1	Plastic Cover
12	60-0342	1	Regulator	27	096-155	1	1/4 NPT Street Tee
13	62-0043	1	Bleeder Air Hose	28	023-013	1	Pressure Gauge
14	096-393	1	1/8 NPT Male Branch Tee	29	62-0041	1	Bleeder Hose
15	190-270	1	60 psi Relief Valve	30	034-044	1	1/8 NPT Male Quick Coupler

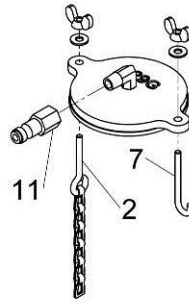
BRAKE BLEEDER ADAPTER REPAIR PARTS



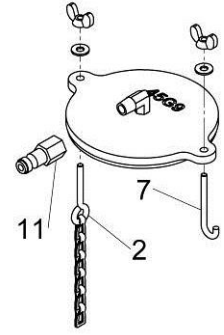
26G 901-052



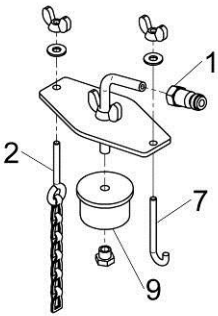
47G 901-059



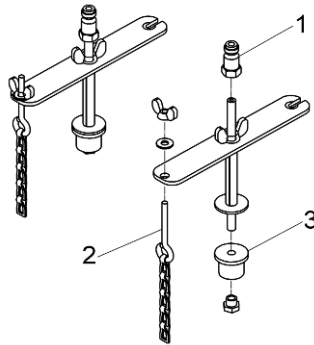
29G 901-053



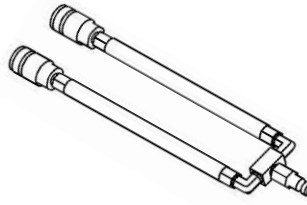
45G9 901-058



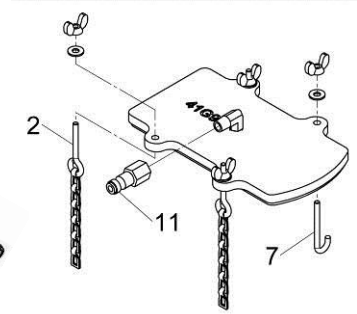
35G 901-054



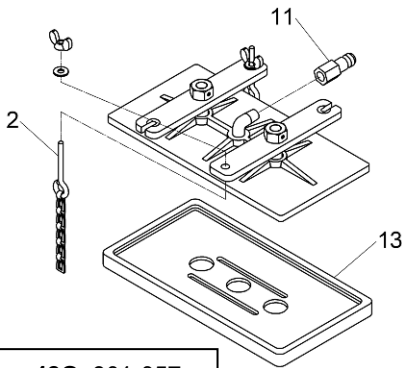
39GC 01-0071



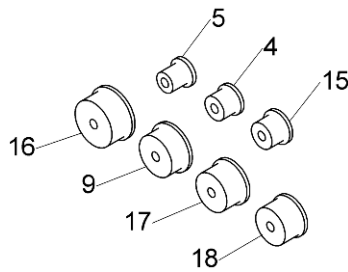
#20 901-051



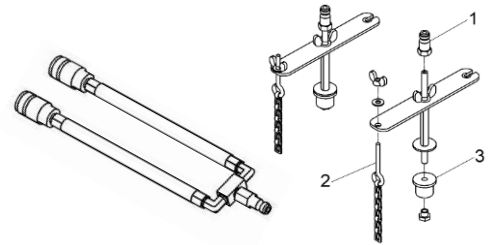
41G9 901-056



42G 901-057



22A 901-062



310 05-0122

ITEM	PART NO	QTY	DESCRIPTION	ITEM	PART NO	QTY	DESCRIPTION
1	096-418	1	1/4-28 Quick Coupler Nipple	11	096-422	1	1/8 NPT Quick Coupler Nipple
2	921-009	1	Chain & Eyebolt Assembly	12	-	-	-
3	808-023	1	#39 Grommet (3/4)	13	167-031	1	Gasket
4	808-022	1	#17 Grommet (13/16)	14	167-033	1	Gasket
5	808-019	1	#14 Grommet (11/16)	15	808-018	1	#13 Grommet (7/8)
6	020-039	1	Master Cylinder Cap	16	808-017	1	#12 Grommet (1-1/4)
7	01-0262	1	J Bolt Assembly	17	808-016	1	#11 Grommet (1-3/8)
8	167-027	1	Gasket	18	808-021	1	#16 Grommet (1-9/16)
9	808-020	1	#15 Grommet (1-5/16)	19	020-037	1	Master Cylinder Cap
10	167-024	1	Gasket	20	167-026	1	Gasket

BRAKE BLEEDER ADAPTER INSTRUCTIONS

CAUTION

WHEN USING ADAPTERS, CHECK TO ENSURE NO WIRING, HOSES, OR OTHER COMPONENTS ARE BETWEEN CHAIN AND MASTER CYLINDER BODY.

36G / 39GC

NOTE: 39GC can be used singly or paired as needed to fit application. Pairing requires #20 Dual Bleeding Attachment (p/n 901-051).

1. Remove cover from reservoir.
2. Insert grommet through reservoir into port(s) in master cylinder. For 36G, align adapter cap with reservoir opening and snap into place.
3. Tighten wing nut below quick coupler nipple to expand grommet for tight seal.
4. Wrap chain under master cylinder and slip link over J hook when snug. If adapter does not have J hook, slip chain into slot on tab of adapter cover.
5. Tighten wing nut on eye hook and J hook evenly to create firm seal between adapter and reservoir opening.
6. Attach quick coupler from brake bleeder to adapter.

26G / 47G

NOTE: These adapters can be used singly or paired as needed to fit application. Pairing requires #20 Dual Bleeding Attachment (p/n 901-051).

1. Remove cover from reservoir.
2. Align adapter with slots on master cylinder reservoir and twist on.
3. Tighten wing nut to expand grommet for tight seal.
4. Attach quick coupler from brake bleeder to adapter.

35G

1. Remove cover from reservoir.
2. Insert grommet into reservoir opening
3. Tighten wing nut below quick coupler nipple to expand grommet for tight seal.
4. Wrap chain under master cylinder and slip link over J hook when snug. If adapter does not have J hook, slip chain into slot on tab opposite eye bolt connection.
5. Tighten wing nut on eye hook and J hook evenly to create firm seal between adapter and reservoir opening.
6. Attach quick coupler from brake bleeder to adapter.

29G / 41G9 / 42G / 45G9

1. Remove cover from reservoir.
2. Align adapter cap with reservoir opening.
3. Wrap chain(s) under master cylinder and slip link over J hook when snug. If adapter does not have J hook, slip chain into slot on tab opposite eye bolt.
4. Tighten wing nut on eye hook and J hook evenly to create firm seal between adapter and reservoir opening.
5. Attach quick coupler from brake bleeder to adapter.

NOTES

COMMERCIAL WARRANTY

This product is warranted by BRANICK INDUSTRIES, INC. to the original user-owner against defective materials or workmanship for a period of one year from the date of shipment. During the warranty period, at the discretion of Branick management, if the product is found to be defective, it will be repaired or replaced without charge. For service, contact Branick (800-437-4394) to obtain an RMA. Any product shipped to Branick must have an RMA and proof of original shipment date. The repaired or replacement product will be returned with transportation charges prepaid by Branick.

This warranty does not cover defects in the product caused by ordinary wear and tear, abuse, misuse, overloading, accident (including shipping damage), improper maintenance, alteration, or any other cause not the result of defective materials or workmanship.

REPAIR OR REPLACEMENT IS THE EXCLUSIVE REMEDY FOR DEFECTIVE PRODUCT UNDER THIS WARRANTY. THIS WARRANTY IS EXPRESSLY IN LIEU OF ALL OTHER WARRANTIES, INCLUDING ANY IMPLIED WARRANTY OF MERCHANT ABILITY OR ANY IMPLIED WARRANTY OF FITNESS FOR A PARTICULAR PURPOSE OF THIS PRODUCT. BRANICK INDUSTRIES, INC. SHALL NOT BE LIABLE FOR ANY CONSEQUENTIAL OR INCIDENTAL DAMAGES.

BRANICK INDUSTRIES, INC. reserves the right to make changes in the design or construction of our products without obligation to incorporate such changes in products already sold and without notice.

Service parts and regular repair service are available from authorized distributors of Branick products, or from:

BRANICK INDUSTRIES, INC.
4245 Main Ave.
Fargo, North Dakota 58103
Toll Free: 800-437-4394



www.branick.com