

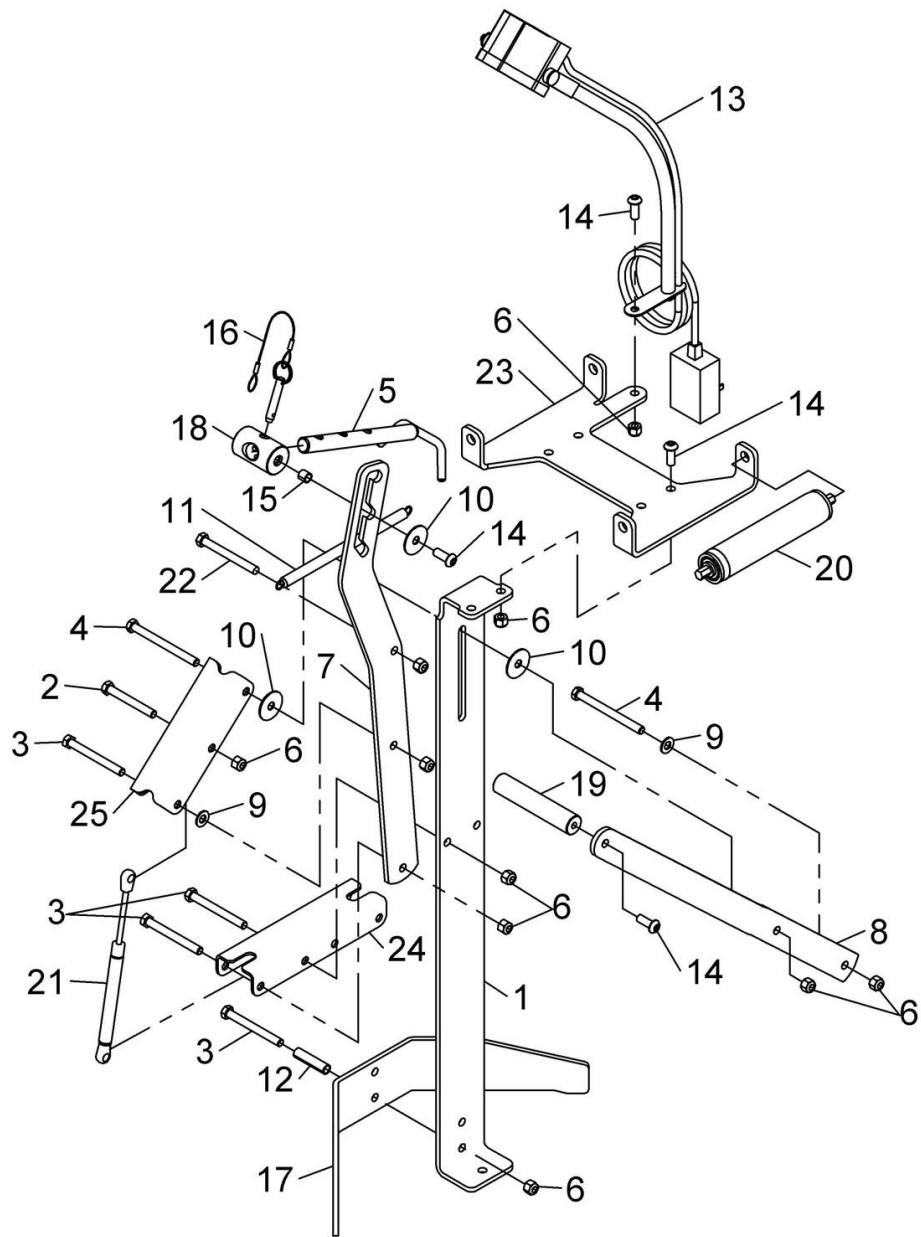


**MODEL 5045
TIRE SPREADER**

Repair Parts
Information



Branick Industries, Inc. • 4245 Main Avenue • Fargo, North Dakota 58103

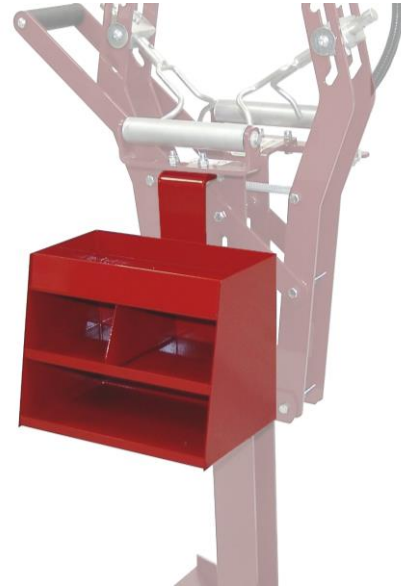


ITEM NO.	PART NO.	NO. REQ'D	DESCRIPTION	ITEM NO.	PART NO.	NO. REQ'D	DESCRIPTION
1	013-092	2	SPREADER GUIDE	14	50-0167	11	3/8 X 1 BHC SCREW
2	028-022	1	3/8 X 3 HHC SCREW	15	52-0023	4	7/16" SPACER
3	028-122	7	3/8 X 3-1/2 HHC SCREW	16	54-0051	2	QUICK RELEASE PIN
4	50-0182	2	3/8 X 4-1/4 HHC SCREW	17	636-049	2	LEG
5	03-0522	2	SPREAD HOOK	18	73-1111	2	ADJUSTMENT BLOCK
6	055-154	17	3/8 NYLOCK NUT	19	73-1112	1	PULL HANDLE
7	06-0110	4	SPREAD ARM	20	29-0006	2	ROLLER
8	06-0112	2	SPREAD HANDLE	21	01-0266	1	DAMPER
9	108-015	4	3/8 FLAT WASHER	22	50-0183	2	3/8 X 3-1/2 HHC SCREW FULL THREADS
10	108-141	8	3/8 FENDER WASHER	23	71-0396	1	ROLLER PLATE
11	110-083	1	SPRING	24	72-0533	1	ARM PIVOT
12	268-545	2	2" SPACER	25	72-0534	1	SPREAD LINKAGE
13	09-0020	1	LED LIGHT				

Storage Cabinet

The optional storage cabinet fits both the 5035 and 5045. It provides ample room to hold buffer, plugs, patches and anything else you need to perform tire repairs right at the spreader. Simple two bolt installation. All steel construction ensures long life and durability.

Part Number: 05-0056



Riser Base

The optional riser provides an additional 3 inches of lift to provide a more comfortable working height for taller individuals. All steel construction with pre-drilled floor mount holes. Installation takes only minutes.

Part Number: 05-0121



COMMERCIAL WARRANTY

This product is warranted by BRANICK INDUSTRIES, INC. to the original user-owner against defective materials or workmanship for a period of one year from the date of shipment. During the warranty period, at the discretion of Branick management, if the product is found to be defective, it will be repaired or replaced without charge. For service, contact Branick (800-437-4394) to obtain an RMA. Any product shipped to Branick must have an RMA and proof of original shipment date. The repaired or replacement product will be returned with transportation charges prepaid by Branick.

This warranty does not cover defects in the product caused by ordinary wear and tear, abuse, misuse, overloading, accident (including shipping damage), improper maintenance, alteration, or any other cause not the result of defective materials or workmanship.

REPAIR OR REPLACEMENT IS THE EXCLUSIVE REMEDY FOR DEFECTIVE PRODUCT UNDER THIS WARRANTY. THIS WARRANTY IS EXPRESSLY IN LIEU OF ALL OTHER WARRANTIES, INCLUDING ANY IMPLIED WARRANTY OF MERCHANT ABILITY OR ANY IMPLIED WARRANTY OF FITNESS FOR A PARTICULAR PURPOSE OF THIS PRODUCT. BRANICK INDUSTRIES, INC. SHALL NOT BE LIABLE FOR ANY CONSEQUENTIAL OR INCIDENTAL DAMAGES.

BRANICK INDUSTRIES, INC. reserves the right to make changes in the design or construction of our products without obligation to incorporate such changes in products already sold and without notice.

Service parts and regular repair service are available from authorized distributors of Branick products, or from:

BRANICK INDUSTRIES, INC.
4245 Main Ave.
 Fargo, North Dakota 58103
Toll Free: 800-437-4394

The logo for Branick Industries, Inc. features the word "Branick" in a bold, red, cursive script font. A registered trademark symbol (®) is located at the end of the word.

www.branick.com