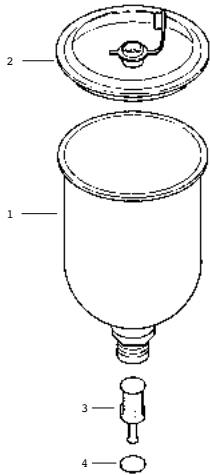


Gravity Cups PARTS & ASSEMBLY

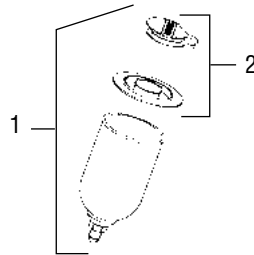
Refer to Service Bulletins: SB-4-261 (GFC-501), TB-1003 (702576)
Refer to Part Sheets: 77-2739 (81-381) and 77-2719 (54-4458)

702576 TEKNA Gravity Feed Cup/Aluminum



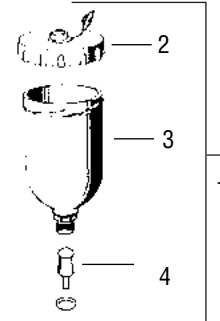
Ref. No.	Replacement Part No.	Description	Ind. Parts Req.
1	702576	Metal Gravity Feed Cup (900cc)	1
2	GFC-404-K2	Disposable Lid Kit (Kit of 2)	1
3	KGP-5-K5	Filter Kit (Kit of 5)	1
4	KGP-13-K5	Cup Gasket (Blue) (Kit of 5)	1

900875 (54-4458) 4 oz. Aluminum Cup



Ref. No.	Order No.	Model No.	Description	Ind. Parts Req.
1	900875	54-4458	Gravity Feed Cup Assembly (4 oz.)	1
2	900902	54-4539	4 oz. Cup Lid Assembly (Kit of 3)	1

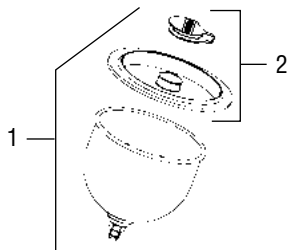
190252 (GFC-501) Gravity Feed Cup/Acetal



Ref. No.	Order No. Model No.	Description	Ind. Parts Req.
1	190252 GFC-501	Cup Assembly, 20 oz. Acetal	1
2	190225 GFC-402	Cup Lid Assembly	1
3	190181 KGP-5-K5	Filter (Kit of 5)	1
4	192151 KGP-13-K5	Cup Gasket (Blue) (Kit of 5)	1

● For GTI, FLG, M1-G, PRI and GFG Plus (Blue)

901430 (81-381) 8 oz. Aluminum Cup



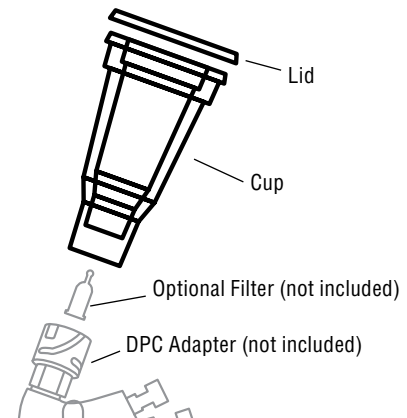
Ref. No.	Order No.	Model No.	Description	Ind. Parts Req.
1	901430	81-381	Gravity Feed Cup Assembly (8 oz.)	1
2	900787	54-4251	Cup Cover Kit (Kit of 3)	1

192191 (SRI-478-K12) 4 oz. Disposable Nylon Cup & Lid Kit

Contains 12 Cups and 12 Lids
(4 ea. Red, Yellow & Green)



803510 (DPC-503-K24) 3 oz. Plastic Cups and Lids Kit of 24



Gun Wrenches

Order No.	Model No.	Description
702740	702740	10mm and 14mm wrench, for use with TEKNA® spray guns
180008	WR-103	Contains all necessary sizes for use with all DeVilbiss guns and many other brands
900712	54-3918	For use with M1-G, M1-G Clear and Mach 1 HVLP spray guns
900431	5-476	For use with 2001 spray gun (not shown)
802531	SPN-5-K	For use with CVi (not shown)



Gravity Spray Gun Cup Lids

Order No.	Model No.	Description
190944	GFC-404-K2	Disposable Lid Kit for GFC-502 and 702576 gravity cups (Kit of 2)
190225	GFC-402	Lid Assembly Kit for GFC-501 gravity cup



Spray Gun Lube

Order No.	Model No.	Description
181001	SSL-10	Spray Gun Lube

- Contains no silicone or petroleum distillates
- Compatible with all paint materials
- 2 oz. bottle



Paint Strainers



Order No.	Model No.	Description	Pkg. Qty.
901441	81-82	White Fine Mesh – 145 (100 Micron)	5
901442	81-83	Blue Medium Mesh – 100 (149 Micron)	5
901443	81-84	Red Coarse Mesh – 80 (177 Micron)	5