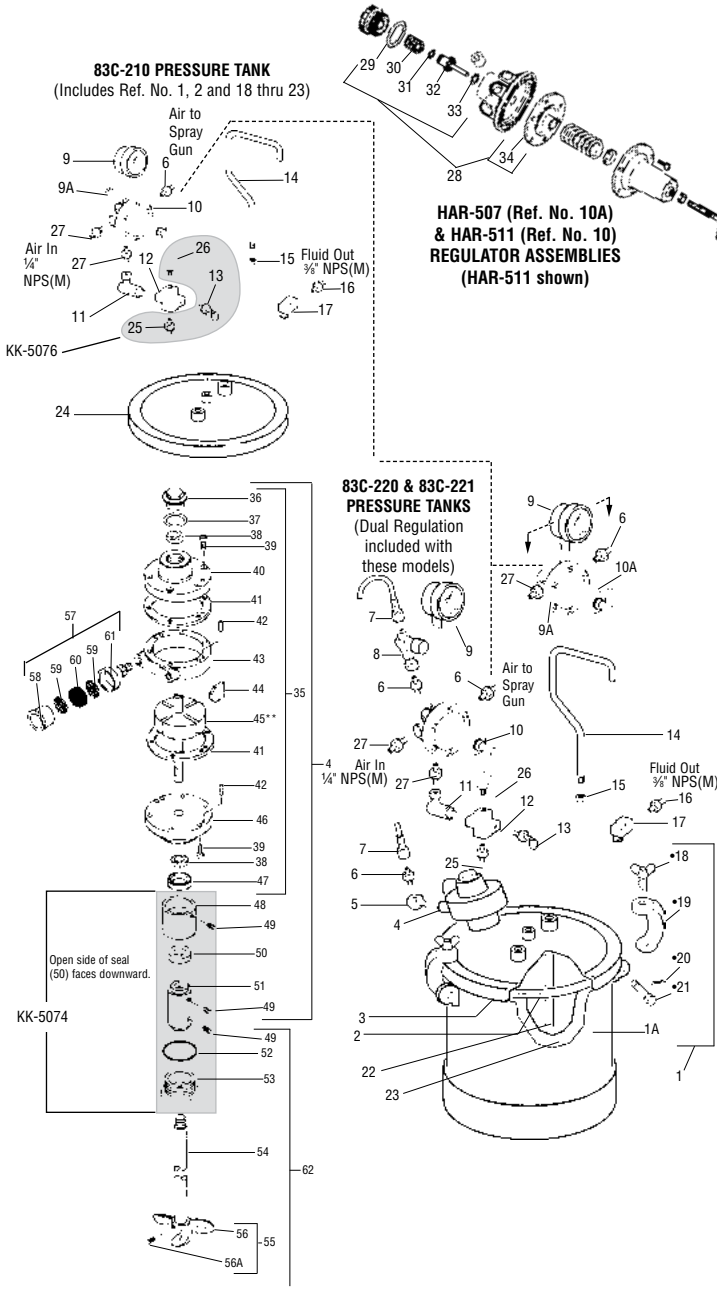


PT II™ A.S.M.E. Code Pressure Tanks PARTS AND ASSEMBLY

Refer to Part Sheet: SBBI-21-044



- * Parts included in KK-5057 Kit (1 ea. of #'s 18, 19, 20 & 21).
- Parts included in PT-410 Air Motor Assembly.
- † Parts included in KK-5001-1 Air Motor Repair Kit.
- ◆ Parts included in KK-5006 Strainer Screen & Felt Kit (2 ea. of #59, 4 ea. of #60).
- ★ Parts included in KK-5076 Kit (1 ea. of #'s 13, 25 & 26).
- Parts included in KK-5074 Kit (1 ea. of #'s 49, 50, 51, 52 & 53).

Suffixes: -K designates kits of multiple parts. Example: SSG-8096-K5 is a kit of 5 O-Rings.

Ref. No.	Order No.	Model No.	Description	Parts Req.
1	—	—	Tank Assy. Kit (Includes #'s 1A, 18, 19, 20 & 21)	1
1A	—	—	Tank Shell	1
2	192070	PT-33-1	Lid Gasket, Santoprene	1
3	—	—	Lid, Zinc Plated (Agitator)	1
4	—	—	Air Motor/Adapter Assy. (#'s 35, 48, 49, 50 & 51)	1
5	Purchase locally	—	Street Elbow 1/4" NPT (F) x 1/4" NPT (M)	1
6	240006	H-2008	Nipple 1/4" NPT (M) (83C-210 & 83C-220) x 1/4" NPS (M) (83C-211 & 83C-221)	2
3	—	JGA-4035-K5	Packing (Kit of 5)	1
7	—	—	Hose Assembly	1
8	180005	HAV-500	Air Adjusting Valve 1/4" NPS (F) x 1/4" NPT (M)	1
9	901540	83-2727	Gauge (83C-210 & 83C-220) Gauge (83C-211 & 83C-221)	2
9A	Purchase locally	—	Pipe Plug 1/4" NPT(M) (Supplied/Regulator)	1
10	192242	HAR-511	Regulator (All regulated models)	1
10A	130059	HAR-507	Regulator (83C-211 & 83C-221)	1
11	190360	SSP-30-ZN	90° Swivel Adapter 1/4" NPS (F) x 1/4" NPT (M)	1
12	Purchase locally	—	Cross 1/4" NPT (F)	1
★13	—	—	Safety Valve, 80 PSI	1
14	190290	PT-32	Handle	1
15	Purchase locally	—	Hex Nut 3/8" -16	1
16	240000	AD-11	Nipple 3/8" NPT (M) x 3/8" NPT (M), S.S.	1
17	Purchase locally	—	Street Elbow 3/8" NPT (F) x 3/8" NPT (M), S.S.	1
*18	—	—	Thumb Screw	4
*19	—	—	Yoke Assembly	4
*20	—	—	Cotter Pin, 3/32 x 1"	4
*21	—	—	Hinge Pin	4
22	190289	PT-31	Fluid Tube	1
23	192153	PT-52	Tank Liner	1
24	—	—	Lid, Zinc Plated	1
★25	—	—	Hex Nipple 1/4" NPT (M)	1
★26	—	—	Drain Valve	1
27	901552	83-4233	D.M. Nipple (Universal Pipe Thread) (83C-210 & 83C-211) (83C-220 & 83C-221)	2 3
28	191554	KK-4977	Repair Kit	1
29	—	—	O-Ring	1
30	—	—	Spring	1
31	—	—	O-Ring	1
32	—	—	Valve	1
33	—	—	O-Ring	1
34	—	—	Diaphragm Assembly	1
35	190301	PT-410	Air Motor Assembly	1
36	—	—	End Cap	1
†37	—	—	End Cap Gasket	1
38	190313	PT-58	Bearing	2
39	Purchase locally	—	Screw (1/4" -28 x 1/2")	12
●40	—	—	Front Plate	1
†41	—	—	End Plate Spacer	2
42	—	—	Dowel Pin	4
●43	—	—	Body	1
†44	—	—	Vane	4
45	—	—	Rotor Assembly	1
●46	—	—	End Plate	1
47	190311	PT-56	Shaft Seal	1
48	—	—	Air Motor Adapter	1
■49	Purchase locally	—	Set Screw (1/4" -20 x 1/4")	4
■50	190292	KK-5041	Seal Assembly	1
■51	—	—	Shaft Coupling	1
■52	190354	SSG-8096-K5	O-Ring (Kit of 5)	1
■53	—	—	Adapter Nut	1
54	—	—	Shaft	1
55	—	—	Propeller Assembly	1
56	—	—	Propeller	1
56A	Purchase locally	—	Set Screw (1/4" -20 x 3/8" S.S.)	1
57	—	—	Muffler Assembly	1
58	See 57	—	Body	1
◆59	See 57	—	Screen	2
†◆60	See 57	—	Felt	1
61	See 57	—	Cap	1
62	192271	KK-5075	Agitator Shaft Assy. (Optional-Order Separately)	1

Clean Air™ AIR LINE FILTERS AND CONTROL UNITS

Air Filtration and Regulation Systems Remove Dirt, Oil Vapor, and Water from Air Lines

HAF-518 Quick Facts:

- 1st Stage 5 micron filter
- 2nd Stage .01 micron filter
- Easier maintenance comes with manual flexible drain



Order No.	Model No.	Description
130098	HAF-518	Two-stage filtration system, including centrifugal and coalescer w/ 60 CFM regulator
130041	13-0041	100 CFM air line filter
130042	13-0042	100 CFM air line filter w/ 60 CFM regulator

ACCESSORIES

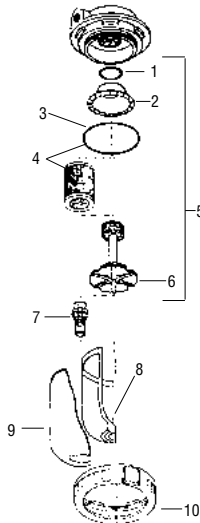
130093 / HAR-600
60 CFM regulator w/gauge

190771 / HAF-18
Automatic drain



Refer to Service Bulletins: SB-6-140, SB-6-147, SB-6-152

130041 (13-0041) 100 CFM Air Line Filter

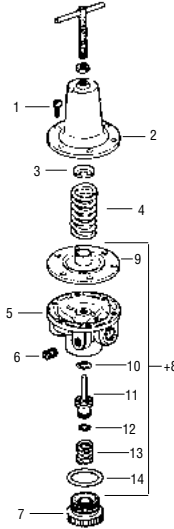


Ref. No.	Order No.	Model No.	Description	Ind. Parts Req.
*1	—	—	Gasket	1
*2	—	—	Baffle	1
●3	—	—	Bowl O-Ring (comes w/#4)	1
4	190727	HAF-6	Filter & O-ring Kit	1
5	190856	HAF-26	Baffle Kit (includes 1,2,& 6)	1
*6	—	—	Element Retainer	1
7	190766	HAF-11	Manual Flexible Drain	1
8	190763	HAF-8	Transparent Plastic Bowl	1
9	191417	HAF-19	Bowl Guard	1
10	190869	HAF-409	Clamp Ring Assembly	1

Optional Accessories

Order No.	Model No.	Description
190564	GA-288	Gauge, 160# – 2" Diameter
190771	HAF-18	Automatic Drain allows maintenance-free drainage
240039	VA-542	Ball Valve
190851	HAF-407	Bracket Assembly for 13-0041 and 13-0042

130059 (HAR-507) 60 CFM Air Regulator

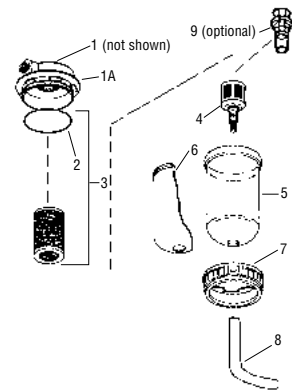


Ref. No.	Order No.	Model No.	Description	Ind. Parts Req.
1	—	—	#10-32x9/16 Fillister Hd. Screw	6
2	191429	HAR-14	Cover	1
3	—	—	Spring Button	1
4	—	—	Diaphragm Spring	1
5	—	—	Body	1
6	—	—	Pipe Plug 1/4" NPT(M)	1
7	—	—	Bottom Plug	1
+8	191554	KK-4977	Repair Kit (Does NOT incl. #5 & #6) (See contents below)	1

+ Regulator Repair Kit 191554 (KK-4977)

Ref. No.	Description	Qty.
9	Diaphragm Assembly	1
10	O-Ring	1
11	Valve	1
12	O-Ring	1
13	Spring	1
14	O-Ring	1

130027 (HAF-505) 55 CFM Coalescing Filter



Ref. No.	Order No.	Model No.	Description	Ind. Parts Req.
1	190883	HAF-404	Filter Change Indicator	1
1A	—	—	Cover	1
2	—	—	O-Ring (comes w/#3)	1
3	190845	HAF-28	Filter & O-Ring Kit	1
4	190771	HAF-18	Automatic Drain (Standard)	1
5	190763	HAF-8	Plastic Bowl	1
6	191417	HAF-19	Metal Bowl Guard	1
7	190869	HAF-409	Clamp Ring	1
8	—	—	1/2 x 3/8 Vinyl Tubing—6 ft.	1
9	190766	HAF-11	Manual Drain (Optional)	1

NOTE

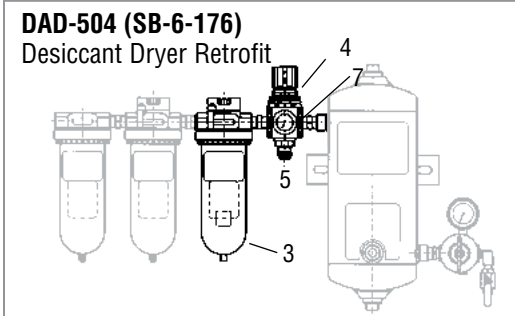
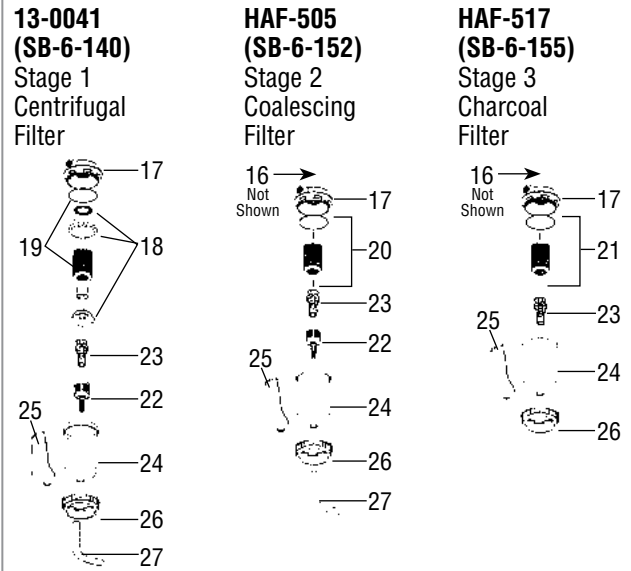
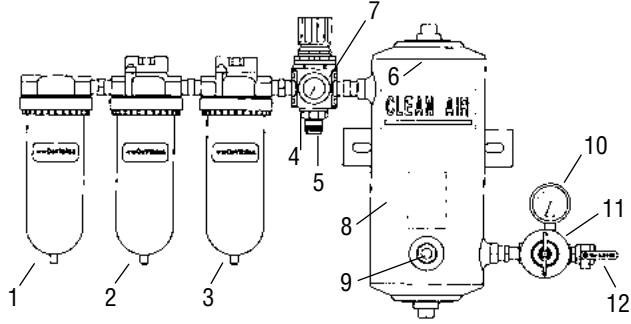
The regulator on CleanAir Units manufactured prior to 9/97 was 13-0045 (HAR-506). HAR-600 includes HAR-507 Regulator, GA-288 Gauge and VA-542 Ball Valve.

Breathable Air Filtration Units

PARTS AND ASSEMBLY

Refer to Service Bulletins:

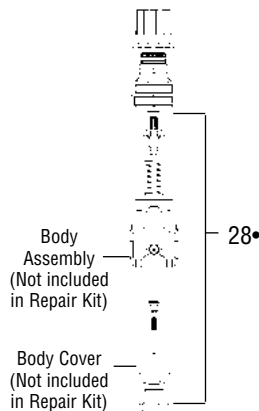
- SB-6-159 DAD-503
- SB-6-132 HAF-601



● **Diaphragm Repair Kit 190938 (KK-5045)**

Description	Qty.
Thrust Washer	1
Adjusting Screw Assembly	1
Main Spring	1
Slip Ring	1
Diaphragm Assembly	1
Valve Assembly	1
Valve Spring	1

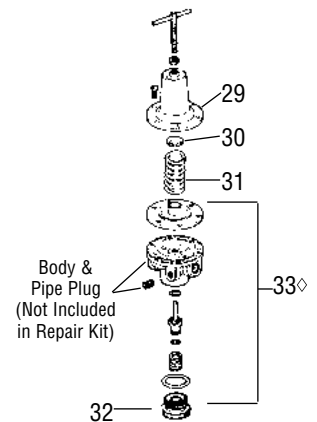
HAR-508 (SB-6-133)
Air Regulator



◇ **Repair Kit 191554 (KK-4977)**

Description	Qty.
Diaphragm Assembly	1
O-Ring	1
Valve	1
O-Ring	1
Spring	1
O-Ring	1

HAR-507 (SB-6-147)
Air Regulator



Ref. No.	Order No.	Model No.	Description	Ind. Parts Req.
1	130041	13-0041	Air Filter/Separator	1
2	130027	HAF-505	Coalescing Filter	1
3	130086	HAF-517	Charcoal Filter	1
4	130091	HAR-508	Flow-Thru Regulator	1
5	190939	MPV-424	Breathable Air Quick Release Socket	1
6	190953	DAD-8	Screen (Not Shown)	2
7	190093	GA-316	Gauge	1
8	190877	PT-417	Desiccant Tank (without desiccant, includes Ref. No. 6)	1
9	190895	DAD-400	Humidity Indicator (1 Humidity Indicator Paper Included)	1
10	190564	GA-288	Gauge	1
11	130059	HAR-507	Air Regulator	1
12	240039	VA-542	Ball Valve	1
13	190831	DAD-1	Replacement Desiccant (Not Shown) (1 Humidity Indicator Paper Included)	1
14	130030	DAD-600	Desiccant Tune-Up Kit (Not Shown) Includes 1 ea: DAD-1, DAD-3, & HAF-6	1
14	802182	DAD-600-1	Desiccant Tune-Up Kit (Not Shown) Includes 1 ea: DAD-1, DAD-3, HAF-6 & HAF-28	1
15	190939	MPV-424	Quick Release Socket (Not Shown)	1
16	190883	HAF-404	Filter Change Indicator (Not Shown)	1
17	—	—	Cover	1
18	190856	HAF-26	Baffle Kit	1
19	190727	HAF-6	Filter & O-Ring Kit	1
20	190845	HAF-28	Filter & O-Ring Kit	1
21	190937	HAF-36	Filter & O-Ring Kit	1
22	190771	HAF-18	Automatic Drain (Standard)	1
23	190766	HAF-11	Manual Drain (Optional)	1
24	190763	HAF-8	Plastic Bowl	1
25	191417	HAF-19	Metal Bowl Guard	1
26	190869	HAF-409	Clamp Ring	1
27	—	—	1/2 x 3/8 Vinyl Tubing, 6 ft.	1
●28	190938	KK-5045	Diaphragm Repair Kit	1
29	191429	HAR-14	Cover	1
30	—	—	Spring Button	1
31	—	—	Diaphragm Spring	1
32	—	—	Bottom Plug	1
◇33	191554	KK-4977	Repair Kit	1