

CAMAIR QC3 FILTER AND DRYER UNIT



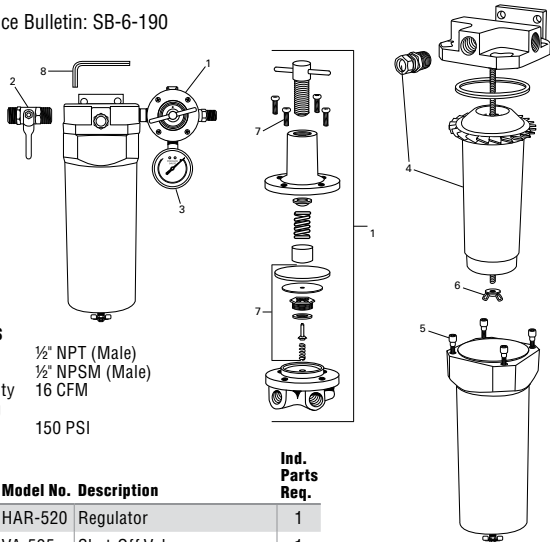
A Great Choice for Light Usage such as Low Volume Shops, Restorers, Customizers, and Hobbyists

- Three-stage filtering with 0.1 micron rating produces clean, oil- and humidity-free air.
- High performance filtration with only 2 PSI pressure drop.
- Quick change filter cartridge is easy to maintain. Bowl removal tool included.
- Larger filter media and longer life desiccant than disposable dryers
- Install at point of use

| Order No. | Description |
|-----------|--|
| 130525 | Desiccant Filter and Dryer Unit |
| 130524 | QC3 Filter and Desiccant Cartridge Replacement |



Refer to Service Bulletin: SB-6-190



SPECIFICATIONS

| | |
|-------------------------|----------------|
| Air Inlet | ½" NPT (Male) |
| Air Outlet | ½" NPSM (Male) |
| Air Flow Capacity | 16 CFM |
| Max. Operating Pressure | 150 PSI |

| Ref. No. | Order No. | Model No. | Description | Ind. Parts Req. |
|----------|------------------|-----------|---------------------------------|-----------------|
| 1 | 130100 | HAR-520 | Regulator | 1 |
| 2 | 802188 | VA-595 | Shut-Off Valve | 1 |
| 3 | 192314 | GA-375 | Pressure Gauge | 1 |
| 4 | 130524 | 130524 | Cartridge, Dryer Filter* | 1 |
| 5 | Purchase Locally | | Socket Head Screw, 1/4-20 @ 3/4 | 4 |
| 6 | Purchase Locally | | Wingnut, 1/4-20 | 1 |
| 7 | 802112 | KK-5088 | Regulator Repair Kit | 1 |
| 8 | Purchase Locally | | 5mm Hex Key Wrench | 1 |

*Cartridge includes indicator window & humidity paper

FinishLine® AIR CONTROL UNIT



Includes:

- 5 micron particle filter
- Mounting bracket
- Regulator and gauge

The Value Leader

- Removes moisture and dirt
- Regulates air pressure

| Order No. | Model No. | Description |
|-----------|-----------|---|
| 130099 | HAR-602 | 120 CFM air line filter w/ 50 CFM regulator |
| 192315 | HAF-39 | 120 CFM Filter element and gasket kit |
| 803643 | HAR-680 | 80 CFM air control unit with 50 CFM regulator |
| 803641 | HAF-47 | 80 CFM Filter element and gasket kit |



ACCESSORIES

192314 / GA-375
Gauge for HAR-520 regulator



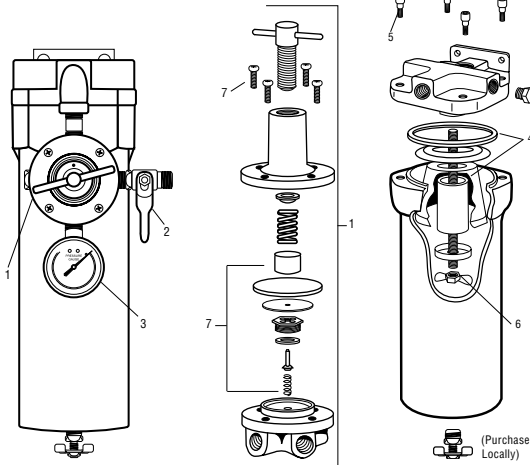
192315 / HAF-39
HAR-602 Element Kit



130100 / HAR-520
50 CFM regulator for HAR-602



Refer to Service Bulletin: SB-6-180



| Ref. No. | Order No. | Model No. | Description | Ind. Parts Req. |
|----------|------------------|-----------|---------------------------------|-----------------|
| 1 | 130100 | HAR-520 | Regulator | 1 |
| 2 | 240160 | VA-594 | Shut-Off Valve | 1 |
| 3 | 192314 | GA-375 | Pressure Gauge | 1 |
| 4 | 192315 | HAF-39 | Element & Gasket Kit | 1 |
| 5 | Purchase Locally | | Socket Head Screw, 1/4-20 x 3/4 | 4 |
| 6 | Purchase Locally | | Wingnut, 1/4-20 | 1 |
| 7 | 802112 | KK-5088 | Regulator Kit | 1 |

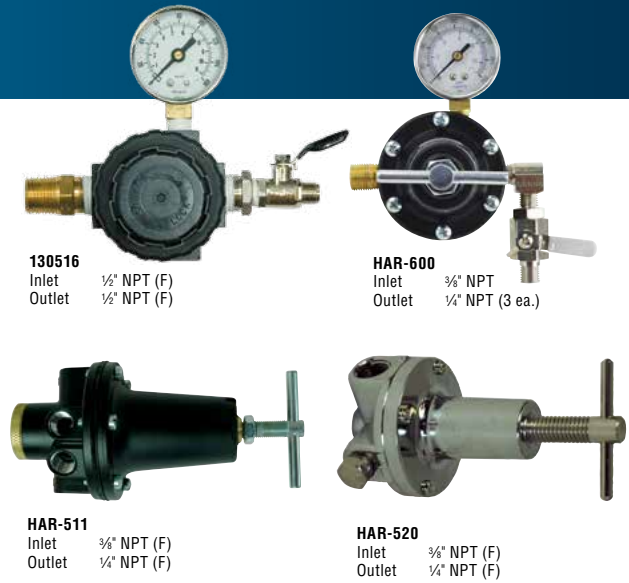
SPECIFICATIONS

| | |
|------------------|------------------------------------|
| Air Inlet | ½" NPT (female) |
| Air Outlet | ¼" NPS (male) |
| Air Capacity | 120 CFM filter 50 CFM regulator |
| Max. Pressure | 150 PSI |
| Max. Temperature | 150°F (65.6°C) |
| Filter Size | 5 micron |

Air Regulators

For Precise Control of Air Delivery

| Order No. | Model No. | Description |
|-----------|-----------|---|
| 130516 | 130516 | 75 CFM air regulator, gauge and valve (regulator available separately as 130521) |
| 130093 | HAR-600 | 60 CFM air regulator, gauge and valve (regulator available separately as HAR-507) |
| 192242 | HAR-511 | 60 CFM air regulator — Flow through regulator for pressure tanks |
| 130100 | HAR-520 | 50 CFM air regulator - non-relieving (purchase GA-375 gauge separately) |



130516
Inlet 1/2" NPT (F)
Outlet 1/2" NPT (F)

HAR-600
Inlet 3/8" NPT
Outlet 1/4" NPT (3 ea.)

HAR-511
Inlet 3/8" NPT (F)
Outlet 1/4" NPT (F)

HAR-520
Inlet 3/8" NPT (F)
Outlet 1/4" NPT (F)

Refer to Service Bulletins SI-6-18-10 and SB-6-147 and Part Sheet 77-2781

130516

| Ref. No. | Model No. | Description | Ind. Parts Req. |
|----------|-----------|----------------|-----------------|
| 1 | 130521 | Regulator Kit | 1 |
| 2 | VA-594 | Shut-off Valve | 1 |
| 3 | GA-288 | Gauge | 1 |

* Lightly grease with enclosed lubricant

Handtight plus 1/4 turn

130100 (HAR-520)

| Ref. No. | Model No. | Description | Ind. Parts Req. |
|----------|-----------|---------------|-----------------|
| 1 | HAR-520 | Regulator Kit | 1 |
| 7 | KK-5088 | Repair Kit | 1 |

192242 (HAR-511)

| Ref. No. | Model No. | Description | Ind. Parts Req. |
|----------|-----------|---------------------------------|-----------------|
| 1 | — | #10-32x9/16 Fillister Hd. Screw | 6 |
| 2 | HAR-14 | Cover | 1 |
| 3 | — | Spring Button | 1 |
| 4 | — | Diaphragm Spring | 1 |
| 5 | — | Body | 1 |
| 6 | — | Pipe Plug 1/4" NPT(M) | 1 |
| 7 | — | Bottom Plug | 1 |
| 8 | — | Diaphragm Assy. | 1 |
| 9 | — | O-Ring | 1 |
| 10 | — | Valve | 1 |
| 11 | — | O-Ring | 1 |
| 12 | — | Spring | 1 |
| 13 | — | O-Ring | 1 |

130093 (HAR-600)

| Ref. No. | Model No. | Description | Ind. Parts Req. |
|----------|-----------|-----------------------|-----------------|
| 1 | HAR-507* | Regulator | 1 |
| 2 | GA-288 | Gauge | 1 |
| 3 | — | 1/4" NPT Street Elbow | 1 |
| 4 | VA-542 | Ball Valve | 1 |
| 5 | — | 1.4" NPT Plug | 1 |

Air Inlet 3/8" NPT

1/4" NPT Outlet

1/4" NPT Outlet

***HAR-507 Regulator**

| Ref. No. | Model No. | Description | Ind. Parts Req. |
|----------|-----------|---------------------------------|-----------------|
| 1 | — | #10-32x9/16 Fillister Hd. Screw | 6 |
| 2 | HAR-14 | Cover | 1 |
| 3 | — | Spring Button | 1 |
| 4 | — | Diaphragm Spring | 1 |
| 5 | — | Body | 1 |
| 6 | — | Pipe Plug 1/4" NPT(M) | 1 |
| 7 | KK-4977 | Repair Kit (incl. # 8-13) | 1 |
| 8 | — | Diaphragm Assy | 1 |
| 9 | — | O-Ring | 1 |
| 10 | — | Valve | 1 |
| 11 | — | O-Ring | 1 |
| 12 | — | Spring | 1 |
| 13 | — | O-Ring | 1 |
| 14 | — | Bottom Plug | 1 |

| Ref. No. | Model No. | Description | Ind. Parts Req. |
|----------|-----------|---------------------------------|-----------------|
| 1 | — | #10-32x9/16 Fillister Hd. Screw | 6 |
| 2 | HAR-14 | Cover | 1 |
| 3 | — | Spring Button | 1 |
| 4 | — | Diaphragm Spring | 1 |
| 5 | — | Body | 1 |
| 6 | — | Pipe Plug 1/4" NPT(M) | 1 |
| 7 | — | Bottom Plug | 1 |
| 8 | — | Diaphragm Assy. | 1 |
| 9 | — | O-Ring | 1 |
| 10 | — | Valve | 1 |
| 11 | — | O-Ring | 1 |
| 12 | — | Spring | 1 |
| 13 | — | O-Ring | 1 |

● Available only as part of KK-4977 Repair Kit; order separately.