

# TEKNA® Copper HE BASECOAT/CLEARCOAT GRAVITY FEED SPRAY GUNS



**Includes:**

- 7E7 high efficiency air cap
- HAV-555 air adjusting valve with digital gauge
- Extra needle/nozzle set
- Gun wrench and color ID rings

EPA Compliant.  
Approved in most  
HVLP areas.

EPA and  
SCAQMD  
Approved

Waterborne compatible when using a plastic or disposable cup system.

Order No.	Needle/Nozzle	Cup	Air Cap
703675*	1.2mm, 1.3mm	Uncupped	7E7
703676	1.2mm, 1.3mm	900cc Aluminum	7E7
703661*	1.3mm, 1.4mm	Uncupped	7E7
703662	1.3mm, 1.4mm	900cc Aluminum	7E7

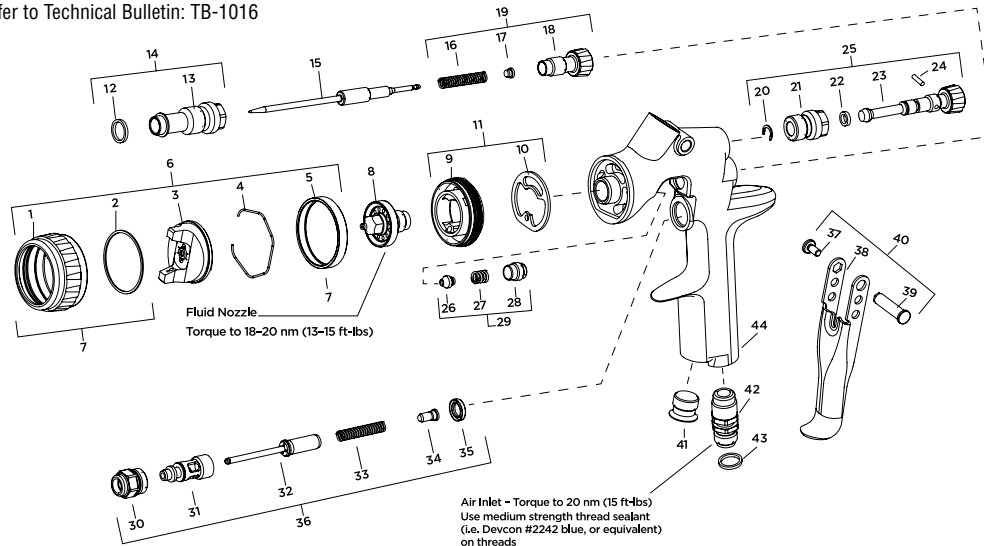
\* Uncupped guns include disposable cups adapter

**TEKNA® Copper HE Air Caps**

<b>#7E7 air cap (HE)</b>	<b>Basecoats, clearcoats</b> Air Cap Order/Model No. <b>703062</b> 9–11 CFM @ 16–22 PSI inlet for HVLP approved areas	<b>Air Cap Pattern</b> 12½"
<b>#202 air cap (HVLP)</b>	<b>Basecoats (solvent)</b> Air Cap Order/Model No. <b>702723</b> 13.5–15.5 CFM @ 18–22 PSI inlet	<b>Air Cap Pattern</b> 13"
<b>#909 air cap (HVLP)</b>	<b>Clearcoats, waterborne basecoats</b> Air Cap Order/Model No. <b>702724</b> 14–16 CFM @ 22–26 PSI inlet	<b>Air Cap Pattern</b> 12"
<b>Fluid Tips</b>	1.1mm, 1.2mm, 1.3mm, 1.4mm, 1.5mm (for hot climate waterborne)	



Refer to Technical Bulletin: TB-1016



**CHART 1: Fluid Nozzle & Fluid Needle Replacement Parts**

Fluid Nozzle Size I.D. (mm)	Fluid Nozzle/Needle Set No.	NOTE:
1.1	702711	When replacing the fluid nozzle or fluid needle, replace both at the same time. Lightly lubricate the threads of the fluid nozzle before reassembling. Torque 14–16 nm (10–12 ft-lbs). Don't over tighten the fluid nozzle. Use 10mm wrench supplied with gun.
1.2	702712	
1.3	702713	
1.4	702714	
1.5	702715	

**CHART 2: Air Cap Replacement Parts**

Air Cap Order No.	Application	Air Cap No.	Recommended Inlet Pressure BAR/PSI	Air Flow LPM/SCFM
702723	Basecoats	#202 HVLP	1.2–1.5 BAR/18–22 PSI	382–434 LPM 13.5–15.5 SCFM
702724	Clearcoats Waterborne Base	#909 HVLP	1.5–1.8 BAR/22–26 PSI	396–453 LPM 14–16 SCFM
703062	Basecoats, clearcoats	#7E7 HE	1.1–1.5 BAR/16–22 PSI (HVLP approved areas) 1.5–2.0 BAR/22–30 PSI (non-HVLP approved areas)	255–312 LPM/9–11 SCFM 312–368 LPM/11–13 SCFM (non-HVLP approved areas)

Ref. No.	Description	Part No.	Qty
1	Air Cap Retaining Ring		1
2	Slip Ring		1
3	Air Cap		1
4	Air Cap Retaining Clip	191972	1
5	Retaining Ring Seal		1
6	Air Cap & Ring (see Chart 2)		1
7	Air Cap Retaining Ring & Seals	702725	1
8	Fluid Nozzle (see Chart 2)		1
9	Air Separator		1
*10	Air Separator Seal (kit of 2)	702726	1
11	Air Separator & Seal Kit	702727	1
*12	Body Bushing Gasket		1
13	Body Bushing		1
14	Body Bushing & Gasket	702728	1
15	Fluid Needle (see Chart 1)		1
*16	Needle Spring		1
*17	Needle Spring Pad		1

Ref. No.	Description	Part No.	Qty
18	Fluid Adjusting Knob		1
19	Fluid Adjusting Knob, Spring, & Pad Kit	702729	1
*20	Retaining Clip		1
21	Spreader Valve Body		1
*22	O-ring		1
23	Spreader Valve Adjusting Knob		1
*24	Spreader Valve Pin		1
25	Spreader Valve Assembly	702730	1
*26	Needle Packing		1
*27	Packing Spring		1
28	Packing Nut		1
29	Packing, Spring & Packing Nut Kit	702731	1
30	Air Valve Body		1
31	Air Valve Cage		1
32	Air Valve Poppet		1
33	Air Valve Spring		1
34	Air Valve Spring Pad		1
35	Air Valve Seal (kit of 5)	803307	1
36	Air Valve Assembly	702732	1
*37	Trigger Stud Screw (T20 Star)		1
38	Trigger		1
*39	Trigger Stud		1
40	Trigger, Stud & Screw Kit	702733	1
41	Plug		1
42	Air Inlet	702734	1
43	Colour ID Ring Kit (4 Colours)	702735	1
44	Gun Body		1

\* The TEKNA Spray Gun Repair Kit (702736) contains all the parts indicated with an asterisk.

**OTHER SALABLE PARTS /ACCESSORIES**

Wrench (10 & 14mm)	702740
#202 Test Cap (HVLP)	702738
#909 Test Cap (HVLP)	702739
Spray Gun Repair Kit	702736
TEKNA Replacement 900cc Aluminum Cup	702576
Disposable Lid Kit (2)	GFC-404-K2
Paint Filter Kit	KGP-5-K5

# FLG4 GRAVITY FEED GUNS



### HVLP Solvent-based Value Kit Includes:

- 1.3mm, 1.5mm & 1.8mm fluid tips
- 900cc aluminum cup, air adjusting valve with gauge

### HVLP Waterborne Value Kit Includes:

- 1.3mm, 1.5mm & 1.8mm fluid tips
- 20 oz. Acetal cup, air adjusting valve with gauge

### HVLP Gun Value Kit Includes:

- 1.8mm & 2.2mm fluid tips
- 900cc aluminum cup

Waterborne compatible when using a plastic or disposable cup system.



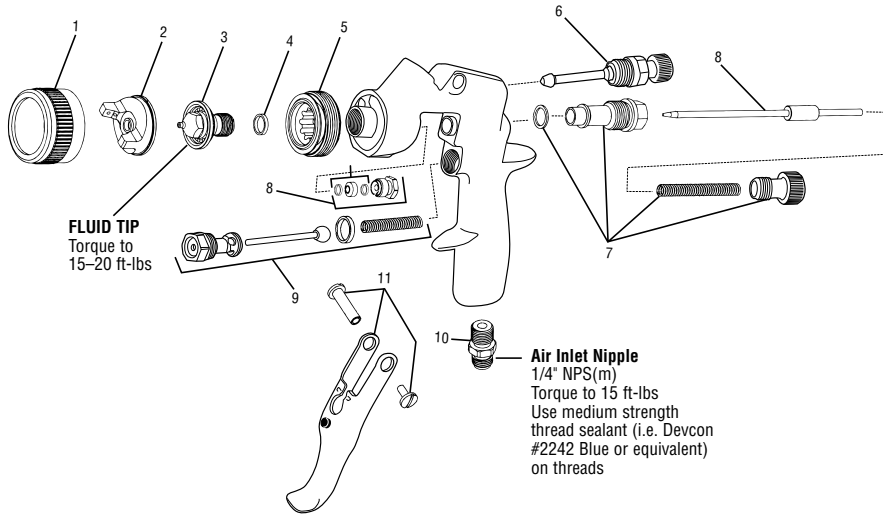
Order No.	Model No.	Fluid Tip	Air Cap	Cup	Application
803558	FLG-670	1.3, 1.5, 1.8	HVLP #3	900cc Aluminum	Top coats, light primers
803559	FLG-671	1.3, 1.5, 1.8	HVLP #3	20 oz. Acetal	Waterborne top coats, light primers, primers
803560	FLG-678	1.8, 2.2	HVLP #3	900cc Aluminum	Primers, liquid masking, chip guards, other specialty materials

### FinishLine® Gravity Feed Air Caps

#3 air cap (HVLP)	Primers, basecoats, clearcoats, single stage and low VOC Air Cap Order No. 690001 Air Cap Model No. FLG-1-3 13 CFM @ 23 PSI inlet	Air Cap Pattern 10½"
Fluid Tips	1.3mm, 1.5mm, 1.8mm, 2.2mm	



Refer to Service Bulletin: SB-2-775

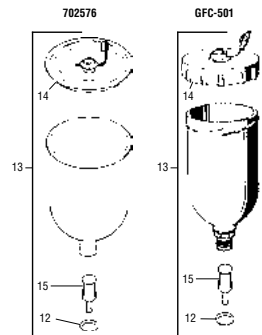
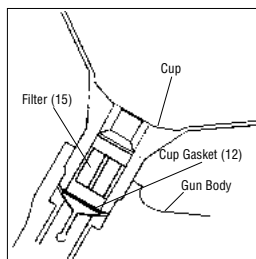


Ref. No.	Order No.	Model No.	Description	Ind. Parts Req.
1	690017	FLG-333	Retaining Ring	1
2	See Air Caps chart, above		Air Cap	1
3	See Chart 1		Fluid Tip & Seal Kit	1
4	690020	FLG-304-K5	Fluid Tip Seal (Kit of 5)	1
5	690021	FLG-305	Baffle	1
6	803528	FLG-465	Spreader Air Adjustment Valve	1
7	803525	FLG4-364-K	Needle Knob, Spring, Bushing & Gasket Kit	1
8	803526	FLG4-366-K	FLG4 Needle, Needle Packing & Nut Kit	1
9	190780	JGS-449-1	Air Valve & Gasket Kit	1
10	190287	P-MB-51	Air Inlet Nipple	1
11	191943	JGS-477-1	Trigger, Trigger Stud & Screw	1
12	192151	KGP-13-K5	Cup Gasket Kit (Kit of 5)	1
13	702576	702576	Metal Gravity Feed Cup	1
	190252	GFC-501	Acetal Gravity Feed Cup	1
14	190944	GFC-404-K2	Disposable Lid Kit (Kit of 2)	1
15	190181	KGP-5-K5	Filter Kit (Kit of 5)	1
	803527	FLG4-488-K	FLG4 Gun Repair Kit (Contains 1 each: Fluid Tip Seal, Needle Packing, Trigger Stud, Trigger Screw, and Gasket for Air Valve & Needle Bushing.)	1
	519210	FLG-463	Air Cap #3 HVLP Test Cap	1

### CHART 1

Fluid Tip Order No.	Part No.	Tip Size (mm)	Application
803051	FLG-332-13K	1.3	Stains, lacquers, basecoats, clears
803052	FLG-332-15K	1.5	General purpose, light to medium viscosity materials
803053	FLG-332-18K	1.8	Primers, medium viscosity materials
803054	FLG-332-12K	2.2	Heavy materials

Cup Drawing



## Gravity Feed Cups

**Cups to fit DeVilbiss, Binks, FinishLine, and TEKNA Gravity Spray Guns**

Order No.	Model No.	Cup Size	Application
190252	GFC-501	20 oz. Acetal	All full size current DeVilbiss, TEKNA, Binks and FinishLine gravity guns
901430	81-381	8 oz. Aluminum	DeVilbiss SRI, SRIW, SRIPro, and Binks Cub gravity guns
900875	54-4458	4 oz. Aluminum	DeVilbiss SRI, SRIW, SRIPro, and Binks Cub gravity guns
192191	SRI-478-K12	4 oz. Nylon	DeVilbiss SRI, SRIW, SRIPro, and Binks Cub gravity guns
702576	702576	900cc Aluminum	All full-size current DeVilbiss, TEKNA, Binks and FinishLine gravity guns
803510	DPC-503-K24	3 oz. Plastic	Fits on all DPC adapters



GFC-501

702576

81-381

SRI-478-K12

DPC-503-K24

54-4458

## StartingLine Gravity Feed Cups

Order No.	Cup Size	Application
803610	600cc Aluminum	StartingLine Finish Coat and Primer gravity guns
803609	250cc Aluminum	StartingLine Detail gravity guns
803591	600cc Aluminum	Push-in lids (2)
803590	250cc Aluminum	Push-in lids (2)



803610

803609

803590

803591

## E-Z Liners

**Most Economical Disposable Paint Cup System Available**

- Saves time with easy clean up and less mess
- Saves money by greatly reducing solvent use for clean up

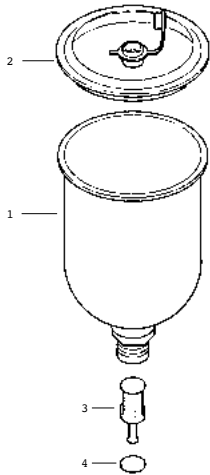
Order No.	Model No.	Description
190966	OMX-70-K48	E-Z Liner Kit (48 liners & bushings)



# Gravity Cups PARTS & ASSEMBLY

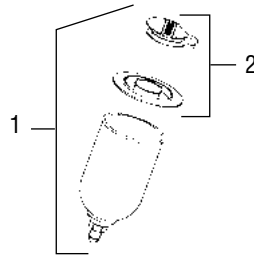
Refer to Service Bulletins: SB-4-261 (GFC-501), TB-1003 (702576)  
Refer to Part Sheets: 77-2739 (81-381) and 77-2719 (54-4458)

## 702576 TEKNA Gravity Feed Cup/Aluminum



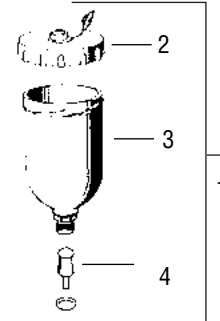
Ref. No.	Replacement Part No.	Description	Ind. Parts Req.
1	702576	Metal Gravity Feed Cup (900cc)	1
2	GFC-404-K2	Disposable Lid Kit (Kit of 2)	1
3	KGP-5-K5	Filter Kit (Kit of 5)	1
4	KGP-13-K5	Cup Gasket (Blue) (Kit of 5)	1

## 900875 (54-4458) 4 oz. Aluminum Cup



Ref. No.	Order No.	Model No.	Description	Ind. Parts Req.
1	900875	54-4458	Gravity Feed Cup Assembly (4 oz.)	1
2	900902	54-4539	4 oz. Cup Lid Assembly (Kit of 3)	1

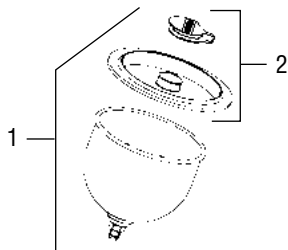
## 190252 (GFC-501) Gravity Feed Cup/Acetal



Ref. No.	Order No. Model No.	Description	Ind. Parts Req.
1	190252 GFC-501	Cup Assembly, 20 oz. Acetal	1
2	190225 GFC-402	Cup Lid Assembly	1
3	190181 KGP-5-K5	Filter (Kit of 5)	1
4	192151 KGP-13-K5	Cup Gasket (Blue) (Kit of 5)	1

● For GTI, FLG, M1-G, PRI and GFG Plus (Blue)

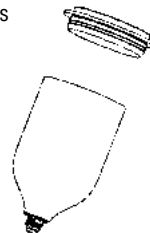
## 901430 (81-381) 8 oz. Aluminum Cup



Ref. No.	Order No.	Model No.	Description	Ind. Parts Req.
1	901430	81-381	Gravity Feed Cup Assembly (8 oz.)	1
2	900787	54-4251	Cup Cover Kit (Kit of 3)	1

## 192191 (SRI-478-K12) 4 oz. Disposable Nylon Cup & Lid Kit

Contains 12 Cups and 12 Lids  
(4 ea. Red, Yellow & Green)



## 803510 (DPC-503-K24) 3 oz. Plastic Cups and Lids Kit of 24

