



M1-G HVLP GRAVITY FEED GUN/CUP

Order No.
901210
Model No.
6924-0000-0

- Includes:**
- 1.4 mm fluid tip
 - 900cc aluminum cup with push-on lid
 - Spray gun lube, fluid filter, gun hook



* Waterborne compatible when using a plastic or disposable cup system.



BINKS

Proven Performance

Low air volume requirements

Quality finishes with low to medium solids materials

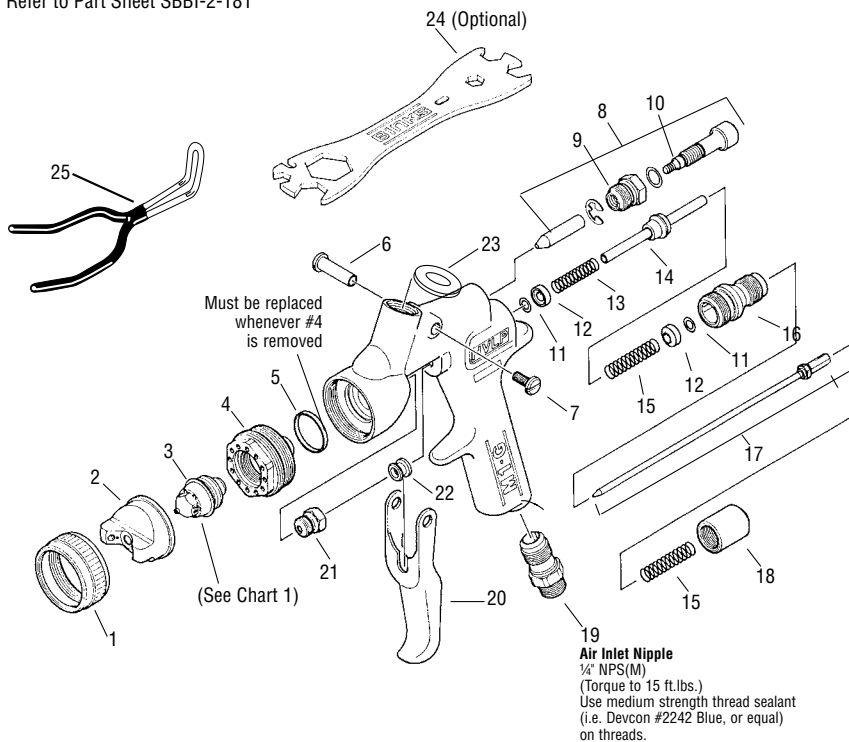
M1-G HVLP Gravity Feed Gun

| Order No. Model No. | Type | Fluid Tip (mm) | Inlet Pressure | Application |
|---|------|----------------|----------------|--|
| 901210 6924-0000-0 (94 x 93P) | HVLP | 1.4 | 18 PSI | Base coats, clearcoats, single stages, waterbornes |

M1-G Gravity Feed HVLP Air Cap

| | | |
|--------------------|--|--------------------------------------|
| 93P air cap | Base coats, clearcoats, single stage, waterbornes (when used with GFC-501 or disposable paint cup system) Air Cap Order No. 900361 Air Cap Model No. 46-9300 10 CFM @ 18 PSI inlet | Air Cap Pattern 10" |
| Fluid tips | 1.2 mm (92), 1.3 mm (93), 1.4 mm (94) , 1.7 mm (97) (Included tip sizes shown in bold) | |

Refer to Part Sheet SBBI-2-181



| Ref. No. | Order No. | Model No. | Description | Ind. Parts Req. |
|----------|--------------|-----------|----------------------------------|-----------------|
| 1 | 900636 | 54-3531 | Retaining Ring | 1 |
| 2 | 900361 | 46-9300 | Air Nozzle | 1 |
| 3 | See Chart 1† | | Fluid Nozzle | 1 |
| 4 | 900848† | 54-4368† | Head Insert | 1 |
| ▲5 | 900850 | 54-4369-5 | Head Insert Seal Ring (Kit of 5) | 1 |
| ●6 | — | — | Trigger Stud | 1 |
| ●7 | — | — | Trigger Screw | 1 |
| 8 | 900843† | 54-4364† | Side Port Control Assembly | 1 |
| ▲9 | — | — | Retaining Ring | 1 |
| 10 | — | — | O-Ring | 1 |
| ▲★11 | — | — | O-Ring | 2 |
| ★12 | — | — | Seal Retainer | 2 |
| ▲13 | — | — | Spring, Yellow | 1 |
| ▲14 | 900623 | 54-3512 | Spindle Assembly | 1 |
| ▲15 | — | — | Spring, Blue | 2 |
| 16 | 900640† | 54-3541† | Housing | 1 |
| 17 | 900858 | 54-4382 | ABSS Needle | 1 |
| 18 | 900659 | 54-3606 | Material Valve Control Knob | 1 |
| 19 | 900990† | 54-768† | Air Connection | 1 |
| 20 | 900841 | 54-4360 | Trigger | 1 |
| ▲21 | 900851 | 54-4370 | Seal Cartridge Assembly | 1 |
| ●22 | — | — | Valve Spindle Cap | 1 |
| ▲23 | 192151 | KGP-13-K5 | Cup Gasket (Kit of 5) | 1 |
| 24 | 900712 | 54-3918 | Wrench (Optional) | 1 |
| 25 | 192219 | 192219 | Gun Holder, Coated | 1 |

▲ Gun Repair Kit 900847 (54-4367-1)

| Ref. No. | Description | Qty. |
|----------|----------------|------|
| 5 | Seal | 1 |
| 9 | Retaining Ring | 1 |
| 10 | O-Ring | 1 |
| 11 | O-Ring | 2 |
| 13 | Spring, Yellow | 1 |
| 14 | Spindle | 1 |
| 15 | Spring, Blue | 2 |
| 21 | Seal Cartridge | 1 |

● Screw, Stud & Cap Kit 900925 (54-5223)

| Ref. No. | Description | Qty. |
|----------|-------------------|------|
| 6 | Trigger Stud | 1 |
| 7 | Trigger Screw | 1 |
| 22 | Valve Spindle Cap | 1 |

★ O-Ring & Retainer Kit 900926 (54-5224)

| Ref. No. | Description | Qty. |
|----------|---------------|------|
| 11 | O-Ring | 2 |
| 12 | Seal Retainer | 2 |

† Torquing Information

| Ref. No. | Description | Qty. |
|----------|----------------|---------------|
| 3 | Fluid Nozzle | 10–12 Ft. Lb. |
| 4 | Head Insert | 20–23 Ft. Lb. |
| 8 | Side Port | 4–6 Ft. Lb. |
| 16 | Housing | 15–17 Ft. Lb. |
| 19 | Air Connection | 15–17 Ft. Lb. |

Chart 1

| No. | Fluid Nozzle Order No. | Tip Size I.D. in. | mm |
|-----|------------------------|-------------------|-----|
| 93 | 900313 (45-9300) | .052 | 1.3 |
| 94 | 900314 (45-9400) | .055 | 1.4 |
| 95 | 900318 (45-9500) | .059 | 1.5 |
| 97 | 900321 (45-9700) | .070 | 1.8 |