



**EGA™**  
**CONVENTIONAL**  
**SUCTION/PRESSURE**  
**FEED TOUCH-UP GUN**

Order No. **110222** Model No. **EGA-503-390F**

**EGA™ Suction/Pressure Feed Touch-Up Gun**

Order No. Model No.	Type	Fluid Tip (mm)	Inlet Pressure	Application
110222 EGA-503-390F	CNV.	1.0	30 PSI	All automotive refinishing materials

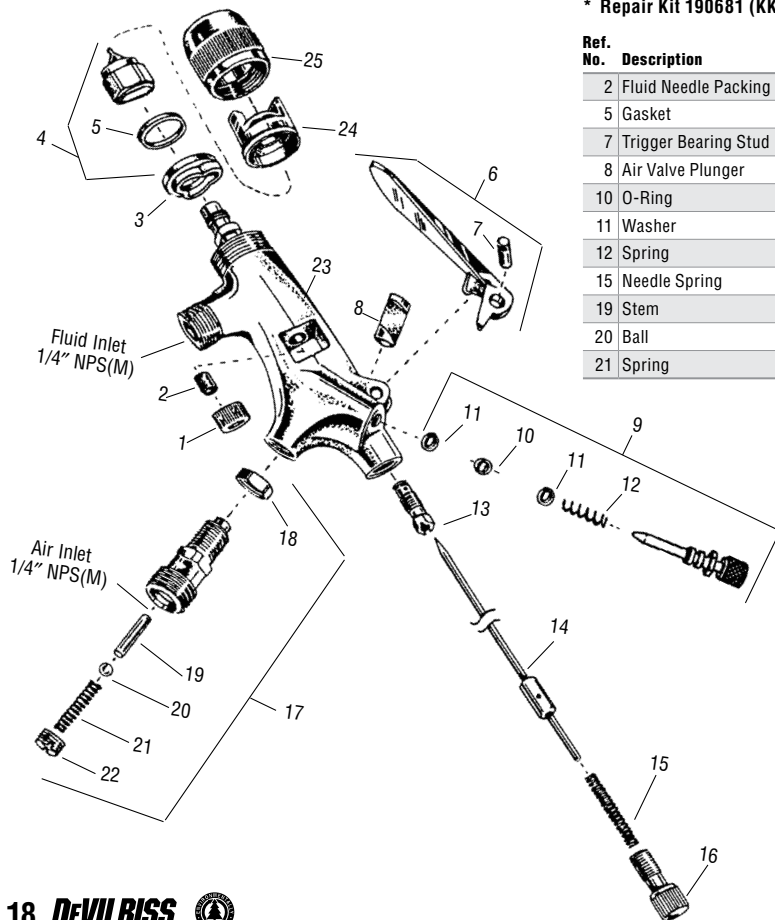
CNV. = CONVENTIONAL

**EGA™ Conventional Suction or Pressure Feed Touch-up Air Cap**

#390 air cap	General Purpose	Air Cap Order No.	Air Cap Model No.	Air Cap Pattern
	Air Cap Order No. <b>190083</b> Air Cap Model No. <b>EGA-40-390</b> 30 PSI inlet 3 CFM	<b>190083</b>	<b>EGA-40-390</b>	<b>3"</b>
<b>Fluid Tips</b>	1.0 mm			



Refer to Service Bulletin: SB-2-163



**\* Repair Kit 190681 (KK-5044)**

Ref. No.	Description	Qty.
2	Fluid Needle Packing	1
5	Gasket	1
7	Trigger Bearing Stud	1
8	Air Valve Plunger	1
10	O-Ring	1
11	Washer	2
12	Spring	1
15	Needle Spring	1
19	Stem	1
20	Ball	1
21	Spring	1

Ref. No.	Order No.	Model No.	Description	Ind. Parts Req.
1	190082	EGA-4	Packing Nut	1
*2			Needle Packing	1
3	190090	EGA-7	Baffle (air distributor)	1
*4	191974	EGA-4000-F	Tip, Needle & Gasket (lapped) (includes #14)	1
*5	190494	EGA-59-K5	Gasket (Kit of 5) (Polyethylene)	1
6	190087	EGA-443	Trigger & Stud Assembly	1
*7	—	—	Trigger Bearing Stud	1
*8	—	—	Air Valve Plunger	1
9	190495	EGA-454	Fan Adjustment Assembly – Horn	1
*10	—	—	O-Ring	1
*11	—	—	Washer	2
*12	—	—	Spring	1
13	190081	EGA-3	Packing Gland	1
*14	—	—	Fluid Needle (included in Item 4)	1
*15	—	—	Needle Spring	1
16	190015	AG-16	Needle Adj. Screw	1
17	190085	EGA-441	Air Valve Assembly	1
18	—	—	Lock Nut	1
*19	—	—	Stem	1
*20	—	—	Ball	1
*21	—	—	Spring (Kit of 5)	1
22	—	—	Spring Retainer	1
23	—	—	Gun Body Assembly	1
24	190083	EGA-40-390	Air Cap For EGA Detail Pro™	1
25	190079	EGA-11	Retaining Ring For EGA Detail Pro™	1

\* A quantity of necessary parts is included in 190681 Repair Kit (KK-5044) for complete gun repair and should be kept on hand for service convenience.

Suffixes: -K5 designates kit of multiple parts. Example: JGA-4035-K5 is a kit of 5 packings.

**• Fluid Tip, Needle & Gasket Kit 191974 (EGA-4000-F)**

Ref No.	Description	Tip Size I.D. in.	mm	Qty
4	Fluid Tip (F)	.039	1.0	1
5	Gasket			1
14	Fluid Needle (F)			1