

**NEW**  
**FLG4**

**ENHANCED ATOMIZATION  
TECHNOLOGY FOR THE  
LATEST COATINGS**

**VALUE**

- Multiple fluid tips included
- Cup included
- Air adjusting valve with gauge (select models)

**SUPERIOR RESULTS**

- Soft uniform spray patterns
- Precision machined air caps & fluid nozzles provide a quality finish
- HVLP high transfer efficiency

**WATERBORNE COMPATIBLE**

- Anodized internal passages
- Easy to clean anodized finish
- High grade stainless steel components



**Ergonomic Handle**

Order #	Model #	Description	Cup	Applications
803558	FLG-670	FinishLine Solvent-Based Value Kit (HVLP 1.3, 1.5, 1.8)	900 cc aluminum	Solvent based coats, top coats, and light primers
803559	FLG-671	FinishLine Waterborne Value Kit (HVLP 1.3, 1.5, 1.8)	20 oz. Acetal	Waterborne based coats, top coats, and light primers
803560	FLG-678	FinishLine Primer Gun Value Kit (HVLP 1.8 and 2.2)	900 cc aluminum	Primers

# Specifications

# FLG4

**Max Air Pressure:** 100psi  
**Gun Body:** Forged Aluminum  
**Fluid Path:** Anodized Aluminum and Stainless Steel  
**Fluid Inlet:** 3/8" BSP Female  
**Air Inlet:** 1/4" NPS Male  
**Aircap:** Machined Brass  
**Gun Weight:** 17oz/506g



## Fluid Tips

Fluid Tip (Ref. No. 3)	Fluid Tip	Fluid Tip	Fluid Tip	Applications
Part No.	Computer No.	Size (in.)	Size (mm)	
FLG-332-13K	803051	0.051	1.3	Stains, lacquers, basecoats, clears.
FLG-332-15K	803052	0.059	1.5	General purpose, light to medium viscosity material.
FLG-332-18K	803053	0.070	1.8	Primers and medium viscosity materials.
FLG-332-22K	803054	0.086	2.2	Latex and heavy materials.

## Gravity Feed Air Caps

### #1 Air Cap

Primers, basecoats, clearcoats, single stage and low VOC

**Air Cap Pattern**  
10 1/2"



Air Cap Order No.	<b>690000</b>
Air Cap Model No.	<b>FLG-1-1</b>
Application	<b>Conventional (Optional)</b>

9.9 CFM @ 40 PSI inlet

### #3 Air Cap (HVLP)

Primers, basecoats, clearcoats, single stage and low VOC

**Air Cap Pattern**  
10 1/2"

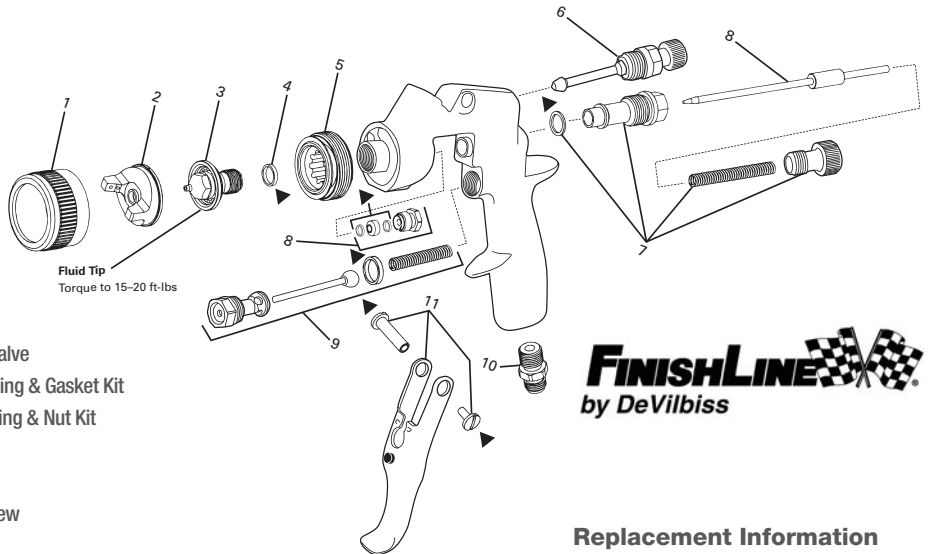


Air Cap Order No.	<b>690001</b>
Air Cap Model No.	<b>FLG-1-3</b>
Application	<b>HVLP (Included)</b>

13 CFM @ 23 PSI inlet

## Parts List

Ref. No.	Comp. Part No.	Replacement Part No.	Description
1	690017	FLG-333	Retaining Ring
2		See Above	Air Cap
3		See Above	Fluid Tip & Seal Kit
4	690020	FLG-304-K5	Fluid Tip Seal (Kit of 5)
5	690021	FLG-305	Baffle
6	803528	FLG-465	Spreader Air Adjustment Valve
7	803525	FLG4-364-K	Needle Knob, Spring, Bushing & Gasket Kit
8	803526	FLG4-366-K	FLG4 Needle, Needle Packing & Nut Kit
9	190780	JGS-449-1	Air Valve & Gasket Kit
10	190287	P-MB-51	Air Inlet Nipple
11	191943	JGS-477-1	Trigger, Trigger Stud & Screw
12	192151	KGP-13-K5	Cup Gasket Kit (Kit of 5)
13	702576	702576	Metal Gravity Feed Cup
	190252	GFC-501	Acetal Gravity Feed Cup
14	190944	GFC-404-K2	Disposable Lid Kit (Kit of 2)
15	190181	KGP-5-K5	Filter Kit (Kit of 5)



### Replacement Information

Order #	Model	Description	Replaces
803558	FLG-670	FinishLine Solvent-Based Value Kit (HVLP 1.3, 1.5, 1.8)	FLG-654
803559	FLG-671	FinishLine Waterborne Value Kit (HVLP 1.3, 1.5, 1.8)	FLG-647-WB
803560	FLG-678	FinishLine Primer Gun Value Kit (HVLP 1.8 and 2.2)	FLG-648

803527 FLG4-488-K ▼ FLG4 Gun Repair Kit (Contains 1 each: Fluid Tip Seal, Needle Packing, Trigger Stud, Trigger Screw, and Gasket for Air Valve & Needle Bushing.)  
 519210 FLG-463 Air Cap #3 HVLP Test Cap