

The GFC-501 cup lid is designed to be dis-

Chart 1 – Air Caps

Air Cap (Ref. No. 2)		Application
Part No.	Computer No.	
FLG-1-1	690000	Conventional
FLG-1-3	690001	HVLP

Daily, apply a drop of OSE to spray gun lube at trigger bearing stud (22) and the stem of the air valve (15). The shank of the fluid needle (12) where it enters the packing nut (25) should also be oiled. The fluid needle packing (24) should be kept soft and pliable by periodic lubrication. Make sure the baffle (6) and retaining ring (1) threads are clean and free of foreign matter. Before assembling retaining ring to baffle, clean the threads thoroughly, then add two drops of

tightening or loosening the fluid tip or 2) remove fluid needle adjusting screw (14) to relieve spring pressure against needle collar.

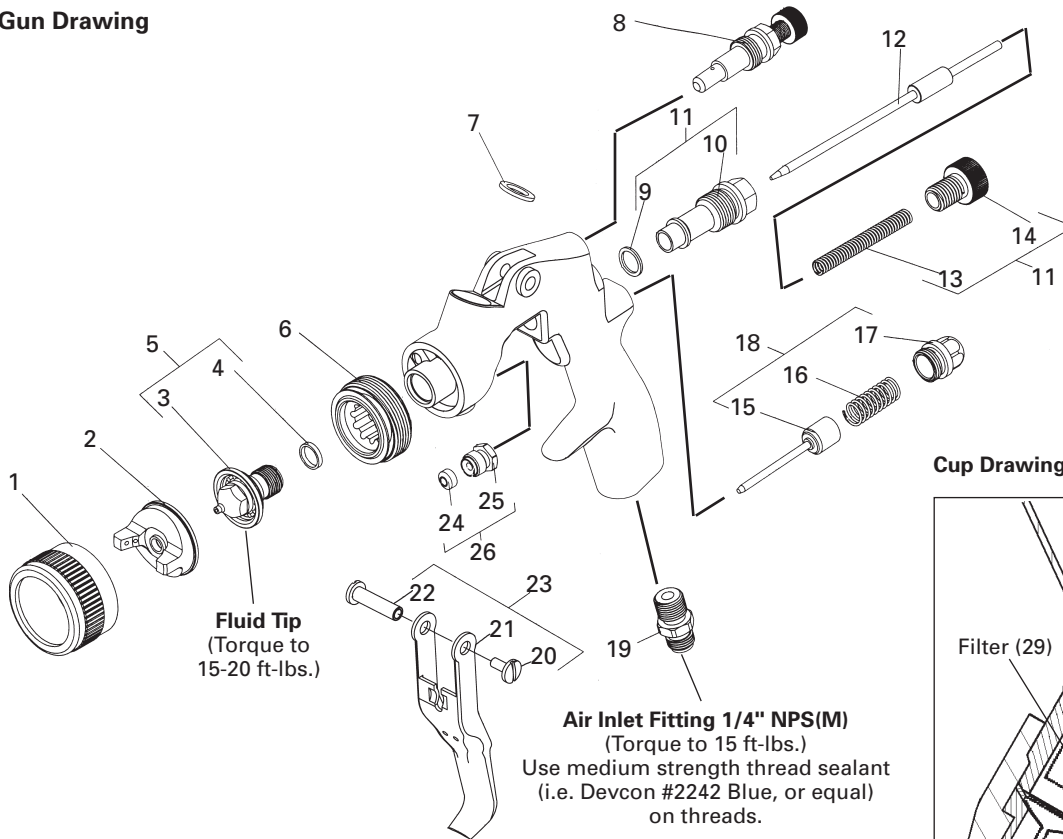
Chart 2 – Fluid Tips

Fluid Tip (Ref. No. 5)		Fluid Tip Size (in.)	Fluid Tip Size (mm)	Applications
Part No.	Computer No.			
FLG-332-13K	803051	0.051	1.3	Stains, lacquers, basecoats, clears.
FLG-332-15K	803052	0.059	1.5	General purpose, light to medium viscosity material.
FLG-332-18K	803053	0.070	1.8	Primers and medium viscosity materials.
FLG-332-22K	803054	0.086	2.2	Latex and heavy materials.

Chart 3 – HVLP Air Flows (#3 Cap)

Inlet Press. (PSI)	Air Flow (SCFM)	Cap Press. (PSI)
15	10	6
19	11.5	8
23	13	10

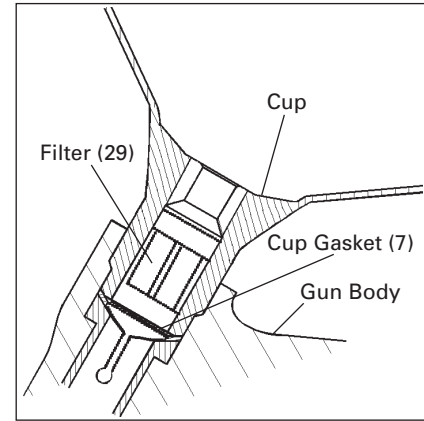
Gun Drawing



Fluid Tip
(Torque to 15-20 ft-lbs.)

Air Inlet Fitting 1/4" NPS(M)
(Torque to 15 ft-lbs.)
Use medium strength thread sealant
(i.e. Devcon #2242 Blue, or equal)
on threads.

Cup Drawing

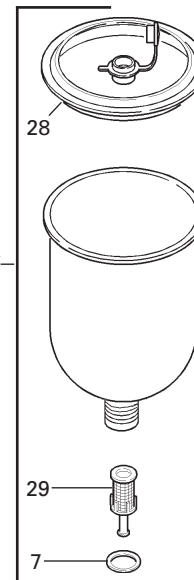


PARTS LIST

Ref. No.	Computer Part No.	Replacement Part No.	Description	Ind. Parts Required
1	803055	FLG-333	Retaining Ring	1
2	See Chart 1		Air Cap	1
3	---	---	Fluid Tip	1
*4	690020	FLG-304-K5	Fluid Tip Seal (Kit of 5)	1
5	See Chart 2		Fluid Tip & Seal Kit	
6	690021	FLG-305	Baffle	1
7	192151	KGP-13-K5	Cup Gasket Kit (Kit of 5)	1
8	803056	FLG-334	Spreader Adjustment Valve	1
*9	---	---	Seal	1
10	---	---	Bushing	1
11	803057	FLG-491	Seal, Bushing, Spring & Knob Kit	1
12	690023	FLG-311	Fluid Needle	1
*13	---	---	Needle Spring	1
14	---	---	Needle Adjusting Knob	1
*15	---	---	Air Valve	1
*16	---	---	Air Valve Spring	1
17	---	---	Air Valve Cap	1
18	803058	FLG-492	Air Valve Kit	1
19	690026	FLG-322	Air Inlet Fitting	1
*20	---	---	Trigger Screw	1
21	---	---	Trigger	1
*22	---	---	Trigger Stud	1
23	690029	FLG-485	Trigger, Stud & Screw Kit	1
*24	---	---	Needle Packing	1
25	---	---	Needle Packing Nut	1
26	690028	FLG-484	Needle Packing & Nut Kit (3 Packings & 1 Nut)	1
27	120175	GFC-502	Metal Gravity Feed Cup	1
	190252	GFC-501	Delrin Gravity Feed Cup	1
28	190944	GFC-404-K2	Disposable Lid Kit (Kit of 2) (for GFC-502)	1
	190225	GFC-402	Lid Kit (for GFC-501)	1
29	190181	KGP-5-K5	Filter Kit (Kit of 5)	1

* A quantity of necessary parts is included in Repair Kit FLG-488 (Computer No. 690031) for complete gun repair and should be kept on hand for service convenience.

GFC-502



GFC-501

