

Operator's Manual



Chicago Pneumatic
1800 Overview Drive • Rock Hill SC • 29730 USA

CP772H Series Impact Wrench

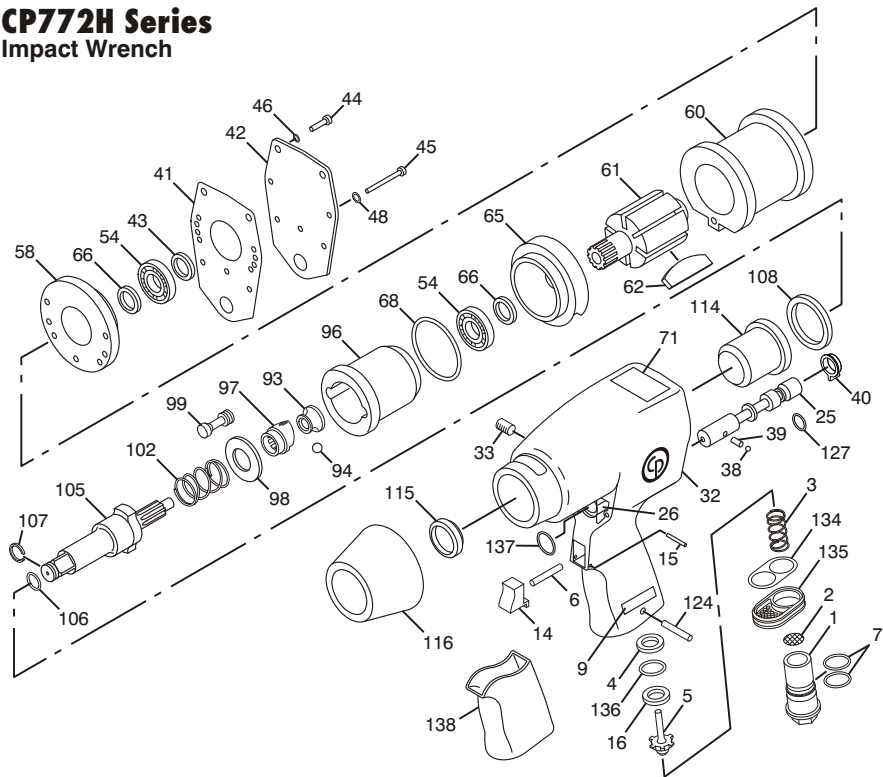
3/4" Sq. Dr. Model "L"



⚠ WARNING

To reduce risk of injury, everyone using, installing, repairing, maintaining, changing accessories on, or working near this tool must read and understand these instructions before performing any such task.

CP772H Series Impact Wrench

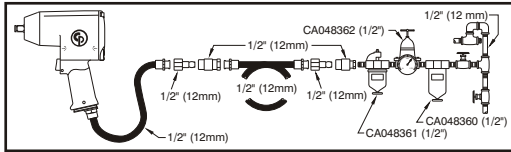


Index No.	Part No.	Description	No. Req'd.	Index No.	Part No.	Description	No. Req'd.
1	CA148714	Bushing-Air Inlet	1	62	CA149753	Blade Set-Rotor (6)	1
2	CA059037	Strainer-Air	1	65	CA048440	End Plate-Lower	1
3	CA142464	Spring-Throttle	1	66	C087936	Oil Seal	2
4	CA149095	Spacer	1	68	P083094	O-Ring (-230)	1
5	CA142460	Valve-Throttle	1	71	CA155779	Decal-Safety Warning	1
6	CA144831	Pin-Throttle	1	93	CA147931	Pilot-Cam Ball	1
7	C105693	O-Ring (-017)	2	94	CA048425	Ball-Steel (.406 in. dia.)	1
9	CA131376	Decal-Oil Daily	1	96	CA147932	Cage-Hammer	1
14	CA147017	Trigger	1	97	C117099	Cam-Hammer	1
15	CA144836	Pin-Roll (3/32)	1	98	CA115994	Yoke Hammer Cam	1
16	C139037	Seat-Throttle	1	99	CA048418	Hammer Pin	2
25	CA148723	Valve-Reverse	1	102	CA048414	Spring	1
26		Bushing-Reverse Valve	1	105	CA048423	Anvil-Shank (3/4 in. Sq. Dr.) (Incl. Index Nos. 106 & 107)	1
32	CA148713	Housing-Motor (Incl. Index Nos. 26, 33, 114, 115)	1	105A	CA053823	Shank-Anvil (3/4 in. Sq. Dr.) (Incl. Index Nos. 106, 107)(6 in. longer)	1
33	S089953	Plug-Pipe (1/16 in. NPT)	1	106	CA083354	O-Ring (-111)	1
38	S008613	Ball-Steel (.156 in. dia.)	1	107	CA087404	Retainer-Socket	1
39	CA147021	Spring-Detent	1	108	C117098	Spacer-Anvil	1
40	CA148709	Switch-Regulator	1	114	C117097	Bushing-Shank	1
41	CA148711	Gasket	1	115	S086549	Oil Seal	1
42	CA148708	Cover-Housing	1	116	CA048467	Nose Shield	1
43	C047451	O-Ring (-129)	1	124	R086991	Pin-Roll .188 x 1.00	1
44	C065376	Hd. Cap Screw	4	127	CA148710	O-Ring	1
45	CA048436	Cap Screw	3	134	CA148528	Gasket-Deflector Exh.	1
46	C012058	Lockwasher	4	135	CA147023	Deflector-Exhaust	1
48	CA156065	Washer-Spring	3	136	CA149096	O-Ring	1
54	C068659	Bearing-Ball	2	137		Decal	1
58	CA048439	End Plate-Upper	1	138	8940158432	Grip	1
60	CA148706	Liner	1				
61	CA148722	Rotor	1				

INSTRUCTION MANUAL

Air Supply Requirements

1. Supply tool with 90 psig (6.2 bar) of clean, dry air. Higher pressure drastically reduces tool life.
2. Connect tool to air line using pipe, hose, and fitting sizes shown in the diagram.



Lubrication

1. Use an air line lubricator with SAE #10 oil, adjusted to two (2) drops per minute. If an air line lubricator cannot be used, add air motor oil to the inlet once a day.
2. Check clutch oil once each month. Use 2 oz. (59ml) of SAE#30 oil or equivalent.

Operation

This impact wrench is equipped with a regulator to enable adjustment of output power. Turn the regulator knob counter-clockwise for maximum power, clockwise to reduce power.

Maintenance

1. Disassemble and inspect air motor and impacting clutch every three (3) months if the tool is used every day. Replace damaged or worn parts.
2. High wear parts are underlined in the parts list.
3. To keep downtime to a minimum, the following service kits are recommended:

Tune-Up Kit CA149746

(Incl: 7, 41, 62, 66, 68, 106, 107, 115 & 127)

Repair Kit CA149747

(Incl: 7, 41, 62, 66, 68, 94, 99, 102, 105, 106, 107, 115 & 127)

EC DECLARATION OF CONFORMITY

We, Chicago Pneumatic Tool Company, 1800 Overview Drive, Rock Hill, SC 29730 USA, declare under our sole responsibility that the product to which this declaration relates, is in conformity with the requirements of the Council Directive of June 1998 on the approximation of the laws of the Member States relating to machinery (98/37/EC).

Machine Name CP772H Series Impact Wrench
Machine Type Assembly Power Tool for Threaded Fasteners - No other use is permitted.

Serial No. Tools with No. 97001M or higher

Technical Data

3/4" Sq. Dr.

Air pressure 90 psi (6.2 bar)

Harmonized Standards Applied EN292

National Standards Applied ISO 8662-1, ISO 15744-2002

Name And Position Of Issuer W.A. LeNeveu,
President, Chicago Pneumatic Tool Company

Signature Of Issuer 

Place And Date Of Issue Rock Hill, SC 29730 USA,
May 1, 1997

Noise & Vibration Declaration*

Sound pressure level 96 dB(A), uncertainty 3 dB(A), in accordance with ISO 15744-2002. For sound power, add 11 dB(A).

Vibration value 4.9 m/s², re. ISO 8662-1.

*These declared values were obtained by laboratory type testing in compliance with the stated standards and are not adequate for use in risk assessments. Values measured in individual work places may be higher than the declared values. The actual exposure values and risk of harm experienced by an individual user are unique and depend upon the way the user works, the workpiece and the workstation design, as well as upon the exposure time and the physical condition of the user. We, Chicago Pneumatic, cannot be held liable for the consequences of using the declared values, instead of values reflecting the actual exposure, in an individual risk assessment in a work place situation over which we have no control.



⚠ WARNING

To reduce risk of injury, everyone using, installing, repairing, maintaining, changing accessories on, or working near this tool must read and understand these instructions before performing any such task.

2

The goal of Chicago Pneumatic is to produce tools that help you work safely and efficiently. The most important safety device for this or any tool is YOU. Your care and good judgment are the best protection against injury. All possible hazards cannot be covered here, but we have tried to highlight some of the important ones.

For Additional Safety Information Consult:

- ▲ Your employer union and/or trade association.
- ▲ US Department of Labor (OSHA); www.osha.gov; Council of the European Communities europe.osha.eu.int.
- ▲ "Safety Code For Portable Air Tools" (B186.1) available from: www.ansi.com
- ▲ "Safety Requirement For Hand-Held Non-Electric Power Tools" available from: European Committee for Standardization, www.cenorm.be

Air Supply And Connection Hazards

- ▲ Air under pressure can cause severe injury.
- ▲ Always shut off air supply, drain hose of air pressure and disconnect tool from air supply when not in use, before changing accessories or when making repairs.
- ▲ Never direct air at yourself or anyone else.
- ▲ Whipping hoses can cause serious injury. Always check for damaged or loose hoses and fittings.
- ▲ Do not use quick disconnect couplings at tool. See instructions for correct set-up.
- ▲ Whenever universal twist couplings are used, lock pins must be installed.
- ▲ Do not exceed maximum air pressure of 90 psi (6.2 bar) or as stated on tool nameplate.

Entanglement Hazards

- ▲ Keep away from rotating drive.
- ▲ Do not wear jewelry or loose clothing.
- ▲ Choking can occur if neckwear is not kept away from tool and accessories.
- ▲ Scalping can occur if hair is not kept away from tool and accessories.
- ▲ Avoid direct contact with accessories during and after use. Gloves will reduce the risk of cuts or burns.
- ▲ Use only proper accessory retainers (see parts list). Use deep sockets wherever possible.

Projectile Hazards

- ▲ Always wear impact-resistant eye and face protection when involved with or near the operation, repair or maintenance of the tool or changing accessories on the tool.
- ▲ Be sure all others in the area are wearing impact-resistant eye and face protection.
- ▲ Even small projectiles can injure eyes and cause blindness.
- ▲ Use only impact wrench sockets and accessories in good condition. Sockets in poor condition or hand sockets and accessories used with impact wrenches can shatter.
- ▲ Always use the simplest hook-up possible. Long, springy extension bars and adapters absorb impact power and could break. Use deep sockets wherever possible.

- ▲ Never operate the tool off of the work. It may run too fast and cause the accessory to be thrown off the tool.
- ▲ Serious injury can result from over-torqued or under-torqued fasteners, which can break, or loosen and separate. Released assemblies can become projectiles. Assemblies requiring a specific torque must be checked using a torque meter.

Note: So-called "click" torque wrenches do not check for potentially dangerous over-torque conditions.

Workplace Hazards

- ▲ Slip/Trip/Fall is a major cause of serious injury or death. Beware of excess hose left on the walking or work surface.
- ▲ High sound levels can cause permanent hearing loss. Use hearing protection as recommended by your employer or OSHA regulation (see 29 CFR part 1910).
- ▲ Maintain a balanced body position and secure footing.
- ▲ Be in control of the throttle at all times. Do not get caught between the tool and the work.
- ▲ Repetitive work motions, awkward positions and exposure to vibration can be harmful to hands and arms. If numbness, tingling, pain or whitening of the skin occurs, stop using the tool and consult a physician.
- ▲ Avoid inhaling dust or handling debris from the work process which can be harmful to your health. Use dust extraction and wear respiratory protective equipment when working with materials which produce airborne particles.
- ▲ Proceed with care in unfamiliar surroundings. Be aware of potential hazards created by your work activity. This tool is not insulated for coming into contact with electric power sources.
- ▲ Some dust created by power sanding, sawing, grinding, drilling and other construction activities contains chemicals known to the State of California to cause cancer and birth defects or other reproductive harm. Some examples of these chemicals are:
 - Lead from lead based paints
 - Crystalline silica bricks and cement and other masonry products
 - And Arsenic and chromium from chemically-treated rubber

Your risk from these exposures varies, depending on how often you do this type of work. To reduce your exposure to these chemicals: work in a well ventilated area, and work with approved safety equipment, such as dust masks that are specially designed to filter out microscopic particles.

Additional Safety Topics

- ▲ This tool and its accessories must not be modified.
- ▲ This tool is not recommended for use in explosive atmospheres.
- ▲ Operators and maintenance personnel must be physically able to handle the bulk, weight and power of the tool.
- ▲ For professional use only.

SAFETY INSTRUCTIONS

DO NOT DISCARD - GIVE TO USER