

## Safety, Operation and Maintenance – Save This Document and Educate All Personnel

Model	RPM	Vacuum	Orbit	Pad Size	Pad Type
57800	8,000	Non-Vacuum	3/16"	3-2/3" x 7"	Vinyl-Face
57801	8,000	Self-Generated	3/16"	3-2/3" x 7"	Vinyl-Face
57804	8,000	Central Vacuum	3/16"	3-2/3" x 7"	Vinyl-Face
57810	10,000	Non-Vacuum	3/32"	3-2/3" x 7"	Vinyl-Face
57811	10,000	Self-Generated	3/32"	3-2/3" x 7"	Vinyl-Face
57814	10,000	Central Vacuum	3/32"	3-2/3" x 7"	Vinyl-Face



Model 57800

### SANDER



Find The Most Current Offering of Support Documents and Accessories at [www.Dynabrade.com](http://www.Dynabrade.com)

## ⚠ WARNING

Read and understand this tool manual before operating your air tool. Follow all safety rules for the protection of operating personnel as well as adjacent areas. Always operate, inspect and maintain this tool in accordance with the American National Standards Institute (ANSI), Safety Requirements for the Use, Care and Protection of Abrasive Wheels – ANSI B7.1, Compressed Air and Gas Institute (CAGI) Safety Code for Portable Air Tools – CAGI B186.1, Code of Federal Regulation – CFR 29 Part 1910, International Organization for Standardization (ISO) Hand Held Non-Electric Power Tools – ISO 11148, Safety Requirements and applicable State and Local Regulations.



Read and understand tool manual before work starts to reduce risk of injury to operator, visitors, and tool.



Eye protection must be worn at all times, eye protection to conform to ANSI Z87.1.



Ear protection to be worn when exposure to sound, exceeds the limits of applicable Federal, State or local statutes, ordinances and/or regulations.



Practice safety requirements. Work alert, have proper attire, and do not operate tools under the influence of alcohol or drugs.



Respiratory protection to be used when exposed to contaminants that exceed the applicable threshold limit values required by law.



Air line hazard, pressurized supply lines and flexible hoses can cause serious injury. Do not use damaged, frayed or deteriorated air hoses and fittings.

Some dust created by sanding, grinding, drilling, and other construction activities contain chemicals known to cause cancer, birth defects or other reproductive harm. Some examples of these chemicals are:

- Lead from lead-based paints
- Crystalline silica from bricks and cement and other masonry products
- Arsenic and chromium from chemically treated lumber

Your risk from these exposures varies, depending on how often you do this type of work. To reduce your exposure to these chemicals: work in a well ventilated area, and work with approved safety equipment, such as those dust masks that are specially designed to filter out microscopic particles.

## SAFETY and OPERATING INSTRUCTIONS



Carefully Read and Understand the General and Sander sections found in Tool Safety and Operating Guidelines (PN00001676) Before Handling or Using Tool.

Carefully Read all instructions before operating or servicing any Dynabrade® Abrasive Power Tool. Products offered by Dynabrade are not to be modified, converted or otherwise altered from the original design.

**Tool Intent:** Dynabug® sanders are used for sanding and finishing a variety of materials including wood, metal, plastic, fiberglass, solid surfaces, composites, rubber, glass and stone.

**DO NOT USE Tool for Anything Other Than Its Intended Applications.**

**Training:** Proper care, maintenance, and storage of your air tool will maximize tools performance and reduce chance for accident.

**Employer's Responsibility:** Provide operators with safety instructions and training for safe use of tools and accessories.

**Report to Your Supervisor any Condition of the Tool, Accessories or Operation you Consider Unsafe.**

# MAINTENANCE INSTRUCTIONS

**Important:** To keep tool safe, a Preventative Maintenance Program is recommended. The program should include inspection of the tool and all related accessories and consumables, including air lines, pressure regulators, filters, oilers, etc. refer to CAGI B186.1 for additional maintenance information. If accessory or tool breakage occurs, investigate failure to determine the cause and correct before issuing tool for work. Use the following schedule as a starting point in developing a Preventative Maintenance Program. If tool does not operate properly (RPM, Vibration, Start/Stop) after these scheduled checks or at any time, the tool must be repaired and corrected before returning tool to use.

## INSTALLATION

- To ensure long life and dependable service, use a Closed Loop Air System and Filter-Regulator-Lubricator as diagramed below.
- Each tool should have its own dedicated hose connected to an air supply manifold. Quick disconnects should be installed at the manifold in an effort to reduce contamination into the tool.
- It is strongly recommended that all Dynabrade rotary vane air tools be used with a Filter-Regulator-Lubricator to minimize the possibility of misuse due to unclean air, wet air or insufficient lubrication. Dynabrade recommends the following: **10681** Air Line Filter-Regulator-Lubricator — Provides accurate air pressure regulation, two-stage filtration of water contaminants and micro-mist lubrication of pneumatic components.
- Dynabrade recommends one drop of air lube per minute for each 20 SCFM (example: if the tool specification states 40 SCFM, set the drip rate on the filter-lubricator to 2 drops per minute) Dynabrade Air Lube (P/N **95842**: 1pt/473ml) is recommended.

## MAINTENANCE SCHEDULE

### Daily (every 8 hours):

- Inspect tool and accessories for damage or broken parts. Replace items as necessary to ensure proper operation and safety.
- Lubricate motor as recommended. Use Dynabrade Air Lube (P/N **95842**: 1pt/473ml) 10W/NR. (1 Drop per minute of air lube per 20 SCFM.)
- Check air line pressure with a gage. (MAX. 90 PSIG or 6.2 Bar operating pressure at the air inlet of the tool.)
- Right angled gear and wick system through gear case grease fitting with 3 plunges of gear oil (P/N **95848**) and grease gun (P/N **95541**). (Prime grease gun prior to greasing.)
- Check tool for proper operation: If operating improperly or demonstrates unusual vibration, the tool must be serviced and problem corrected before further use.

### Every 20 Hours or Once a Week Which Ever Comes First:

- Check free speed of tool without the abrasive accessory mounted. Measure RPM (speed) with tachometer and with air pressure set at 90 PSIG while the tool is running. If a governed tool is operating at a higher speed than the RPM marked on the tool housing, the tool must be serviced and corrected before use. A non-governed tool may exceed the RPM marked on the tool by 10% when operated at free speed with no accessories.
- If tool is running fast look for worn, damaged or missing governors, air control rings and silencers. Special care must be taken when servicing

governors and speed control devices. Injection molded governor assemblies are non-serviceable and must be replaced.

- If tool is running slow look for clogged inlet screen, air stream, silencer(s) or a malfunctioning governor (see concerns for servicing governors). Service as required.

### Every 50 Hours:

- Lubricate planetary gears through gear case grease fitting with 3 plunges of grease (P/N **95542**) and grease gun (P/N **95541**). (Prime grease gun prior to greasing.)

## REPAIR

- Use only genuine Dynabrade replacement parts to ensure quality. To order replacement parts, specify Model#, Serial# and RPM of your air tool.
- Mineral spirits are recommended when cleaning the tool and parts. Do not clean tool or parts with any solvents or oils containing acids, esters, ketones, chlorinated hydrocarbons or nitro carbons.
- DO NOT clean or maintain tools with chemicals that have a low flash point (example: WD-40®).
- Motor Tune-Up Kit are available (when applicable) which includes high wear and medium wear motor parts.
- Air tool markings must be kept legible at all times, if not, reorder housing and replace. User is responsible for maintaining specification information.
- After maintenance is performed on tool, add a few drops of Dynabrade Air Lube (P/N **95842**) to the tool inlet and start the tool a few times to lubricate air motor. Verify RPM (per 20 hr maintenance schedule), vibration and operation.

## HANDLING & STORAGE

- Use of tool rests, hangers and/or balancers is recommended.
- Protect tool inlet from debris (see Notice).
- DO NOT carry tool by air hose or near the tool throttle lever.
- Store accessories in protective racks or compartments to prevent damage.
- Follow the handling instructions outlined in the operating instructions when carrying the tool and when changing accessories.
- Protect accessories from exposure to water, solvents, high humidity, freezing temperature and extreme temperature changes.

## END OF USE/DISPOSAL

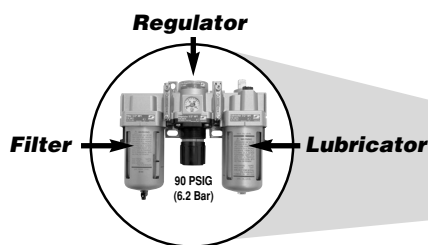
When tool has reached its end of useful service, disassemble tool into its primary components (i.e. steel, aluminum and plastic part) and recycle or discard per local, state and/or federal regulations as to not harm the environment.

## NOTICE

All Dynabrade motors use the highest quality parts and metals available and are machined to exacting tolerances. The failure of quality pneumatic motors can most often be traced to an unclean air supply or the lack of lubrication. Air pressure easily forces dirt or water contained in the air supply into motor bearings causing early failure. It often scores the cylinder walls and the rotor blades resulting in limited efficiency and power. Our warranty obligation is contingent upon proper use of our tools and cannot apply to equipment which has been subjected to misuse such as unclean air, wet air or a lack of lubrication during the use of this tool.

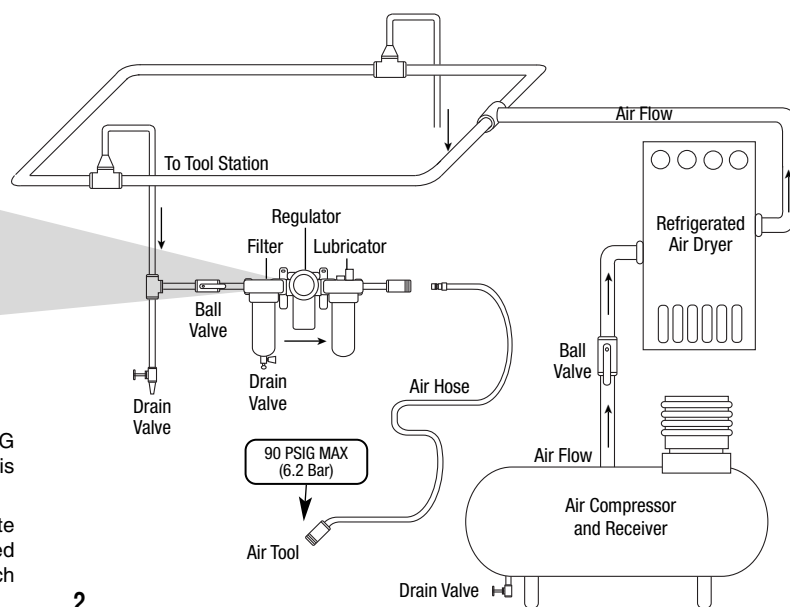
## AIR SYSTEM

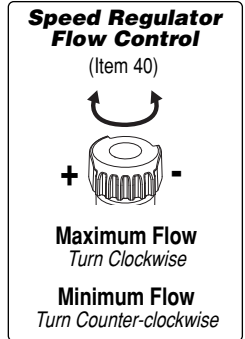
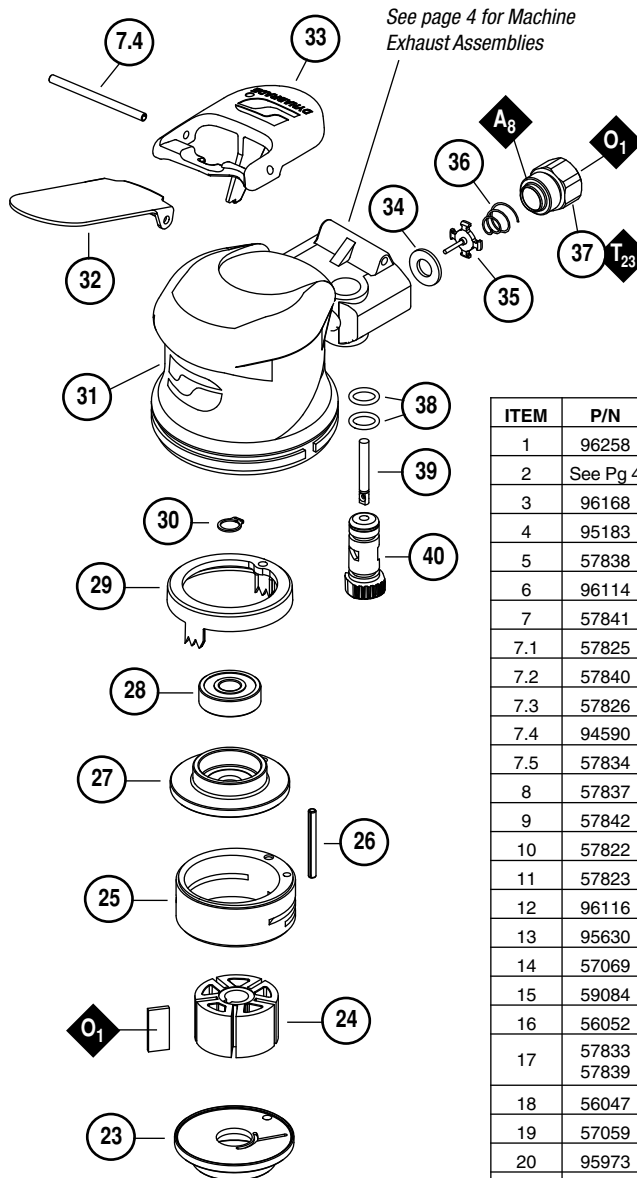
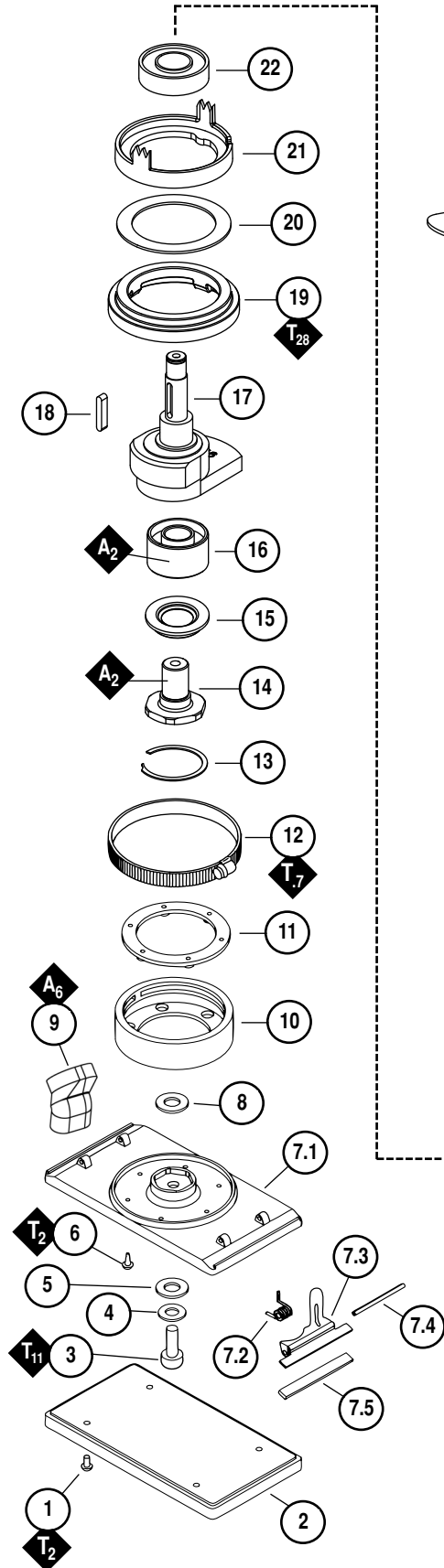
Closed Loop Pipe System, Sloped in Direction of Air Flow



LUBRICATOR SETTING
1 DROP/MIN.
20 SCFM

- Dynabrade Air Power Tools are designed to operate at 90 PSIG (6.2 Bar) maximum air pressure at the tool inlet, when the tool is running. Use recommended regulator to control air pressure.
- Ideally the air supply should be free from moisture. To facilitate removing moisture from air supply, the installation of a refrigerated air dryer after the compressor and the use of drain valves at each tool station is recommended.





ITEM	P/N	DESCRIPTION	QTY.
1	96258	SCREW	4
2	See Pg 4	PAD	1
3	96168	SCREW	1
4	95183	WASHER	1
5	57838	WASHER	1
6	96114	SCREW	6
7	57841	PAD TOP ASSEMBLY	1
7.1	57825	PAD TOP	1
7.2	57840	CLIP SPRING	2
7.3	57826	CLIP	2
7.4	94590	PIN	3
7.5	57834	RUBBER GRIP	2
8	57837	WASHER	1
9	57842	VACUUM TUBE (VAC MDLS)	1
10	57822	BOOT	1
11	57823	PAD MOUNT	1
12	96116	CLAMP	1
13	95630	SNAP RING	1
14	57069	BALANCER SHAFT	1
15	59084	V-SEAL	1
16	56052	BALANCER BEARING	1
17	57833 57839	BALANCER SHAFT - 3/16" ORBIT BALANCER SHAFT - 3/32" ORBIT	1
18	56047	KEY	1
19	57059	LOCK RING	1
20	95973	WASHER	1
21	57055	FRONT RING	1
22	57088	BEARING	1
23	57057	FRONT BEARING PLATE	1
24	57113	ROTOR/VANE SET	1
25	57058	CYLINDER ASSEMBLY (INC. 95971 PIN)	1
26	95971	PIN	1
27	57056	REAR BEARING PLATE	1
28	01206	BEARING	1
29	57054	REAR RING	1
30	95626	RETAINING RING	1
31	See Pg 4	HOUSING	1
32	57820 57821	THROTTLE LEVER - 3/16" ORBIT THROTTLE LEVER - 3/32" ORBIT	1
33	57041	COMFORT PLATFORM	1
34	01464	SEAL	1
35	01472	TIP VALVE	1
36	01468	SPRING	1
37	01494	INLET BUSHING	1
38	01025	O-RING	2
39	01477	VALVE STEM	1
40	57064	SPEED REGULATOR	1

**KEY**

- O** Oil: O<sub>1</sub> = Air Lube
- A** Adhesive: A<sub>2</sub> = Loctite® #271  
A<sub>6</sub> = Loctite® #380  
A<sub>8</sub> = Loctite® #567
- T<sub>x</sub>** X = Torque Value (N•m)
- T** Torque: N•m x 8.85 = lb•in.

Always follow adhesive manufacturers cleaning and priming recommendations.

# LIFETIME WARRANTY

To validate Dynabrade Lifetime Warranty, you must register each tool at: [www.dynabrade.com](http://www.dynabrade.com). Registration of each tool at website is required. Dynabrade will not honor Lifetime Warranty on unregistered tools. Please view the entire Lifetime Warranty Policy at : [www.dynabrade.com](http://www.dynabrade.com).



## MACHINE SPECIFICATIONS

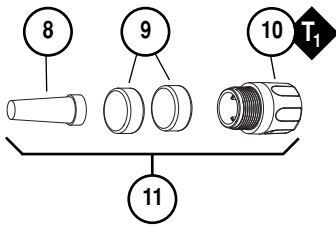
Model	Speed	Power	Sound	Air Consumption	Pad Size	Weight	Length	Height
57800	8,000 RPM	.24 hp (179 W)	79 db(A)	16 SCFM (453 LPM)	3-2/3" x 7"	2.8 lb. (1.3 kg)	7.3" (184 mm)	4.3" (108 mm)
57801	8,000 RPM	.24 hp (179 W)	76 db(A)	16 SCFM (453 LPM)	3-2/3" x 7"	2.8 lb. (1.3 kg)	7.3" (184 mm)	4.3" (108 mm)
57804	8,000 RPM	.24 hp (179 W)	80 db(A)	16 SCFM (453 LPM)	3-2/3" x 7"	2.8 lb. (1.3 kg)	7.3" (184 mm)	4.3" (108 mm)
57810	10,000 RPM	.28 hp (209 W)	77 db(A)	18 SCFM (510 LPM)	3-2/3" x 7"	2.8 lb. (1.3 kg)	7.3" (184 mm)	4.3" (108 mm)
57811	10,000 RPM	.28 hp (209 W)	74 db(A)	18 SCFM (510 LPM)	3-2/3" x 7"	2.8 lb. (1.3 kg)	7.3" (184 mm)	4.3" (108 mm)
57814	10,000 RPM	.28 hp (209 W)	81 db(A)	18 SCFM (510 LPM)	3-2/3" x 7"	2.8 lb. (1.3 kg)	7.3" (184 mm)	4.3" (108 mm)

Additional Specifications: Air Inlet Thread 1/4" NPT • Hose I.D. 1/4" (6 mm)

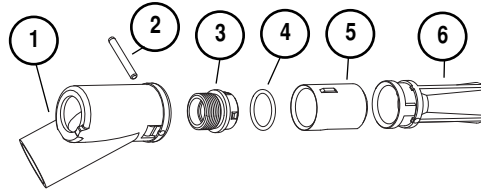
Sound Level is the pressure measurement according to the method outlined in ISO regulation ISO-15744

## MACHINE EXHAUST ASSEMBLIES

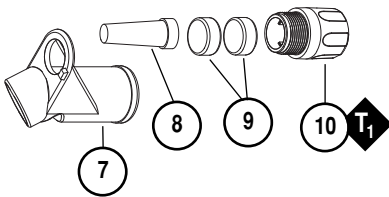
### Non-Vacuum



### Self-Generated Vacuum



### Central Vacuum



ITEM	P/N	DESCRIPTION	QTY.
1	57083	VACUUM ADAPTER	1
2	96197	DOWEL PIN	1
3	57066	MUFFLER BODY	1
4	95526	O-RING	1
5	69353	VAC NOZZLE	1
6	57067	VAC TUBE	1
7	57093	CENTRAL VACUUM ADAPTER	1
8	57065	CONE MUFFLER	1
9	56027	MUFFLER INSERT	2*
10	69359	MUFFLER BODY	1
11	69274	MUFFLER ASSEMBLY	1

\*10,000 RPM requires 2 Inserts and 8,000 RPM requires 3.  
Optional: 30 quantity Muffler Insert available, P/N 56054

## OPTIONAL ACCESSORIES



### Motor Tune-Up Kit

- Includes assorted parts to help maintain and repair motor.

Part No. 96024



### Dynabrade Air Lube

- Absorbs up to 10% of its weight in water.
- Prevents rust and the formation of sludge.

Part No. 95821: 4 oz.

Part No. 95842: 1 pt.



### Dynaswivel®

- Composite construction.
- 1/4" NPT.

Part No. 94300



### Male Plug

- Provides up to twice the air flow compared to standard plug design.
- Plug has "ported" design to prevent "starving" of the air tool.

Part No. 95675

## SANDING PADS

Part No.	Description
57850	Non-Vacuum, Vinyl-Face
57851	Non-Vacuum, Hook-Face
57852	Non-Vacuum, Hook-Face (Long Nap)
57855	Vacuum, Vinyl-Face
57856	Vacuum, Hook-Face

## REPLACEMENT HOUSINGS

Model No.	Housing No.
57800	57880
57801	57881
57804	57884
57810	57882
57811	57883
57812	57886

## REFERENCE CONTACT INFORMATION

### American National Standards Institute (ANSI)

1899 L Street, NW, 11th Floor • Washington, DC 20036  
Tel: 1 (202) 293-8020

### Compressed Air & Gas Institute (CAGI)

1300 Sumner Ave. • Cleveland, OH 44115-2851  
Tel: 1 (216) 241-7333 • Fax: (216) 241-0105

### Government Printing Office (GPO)

Superintendent of Documents • Attn: New Orders  
P.O. Box 371954 • Pittsburgh, PA 15250-7954 • Tel: 1 (202) 512-1803

### International Organization of Standards (ISO)

Case postale 56 • CH-1211 Geneva 20  
Tel: + 41 22 749 01 11 • Fax: + 41 22 749 09 47

## DYNABRADE, INC.

8989 Sheridan Drive • Clarence, NY 14031-1419 • Phone: (716) 631-0100 • Fax: 716-631-2073 • International Fax: 716-631-2524  
©DYNABRADE, INC., 2013 PRINTED IN USA

[www.dynabrade.com](http://www.dynabrade.com)



PD13.11\_03/13