



Gravity Feed HVLP and Mini-HVLP



FX3000



FX1000

- Value – Quality guns at affordable prices
- Innovation – A class leader with 29% fewer parts, readily available repair kits, optional 3M™ PPS™ adapters, optional interchangeable cups and lowest trigger pull among guns in its class
- Performance – Unmatched spray pattern size and quality

The FX3000 is a full-size HVLP gun with a large fan pattern, and the FX1000 mini-HVLP has two-finger control for anti-fatigue painting in confined access areas like doorjamb or for detailed touch-up work.

- Air Inlet Size: 1/4 in npsm (R 1/4 - 19)
- Max. Air Inlet Pressure: 29 psi (0.2 MPa, 2.0 bar)
- Pattern Size: FX3000 12.5 in, FX1000 9 in
- Air Consumption at 29 psi (0.2 MPa, 2.0 bar): FX3000 9.5 SCFM, FX1000 7.0 SCFM
- Cup Size: FX3000 20 oz (600 cc), FX1000 4 oz (125 cc)
- Weight with Cup: FX3000 1.1 lb (0.5 kg), FX1000 0.9 lb (0.4 kg)
- Finish: Black Nickel
- Instruction Manual: PN 312372
- Reference p. 45



Size	Gun PN	Needle, Nozzle, Aircap Kits	Applications
HVLP FX3000			
1.0 mm	288878	289296	Base and clear coats, light industrial, hobby, spot repair
1.3 mm	288879	289297	Base and clear coats, high solid, single stage
1.4 mm	288880	289298	Base and clear coats, single stage, sealers, low solid clear, clear coat
1.5 mm	288881	289299	Base and clear coats, sealers, enamels, medium to high viscosity
1.8 mm	288882	289300	Primer, high viscosity
Mini-HVLP FX1000			
1.0 mm	289200	289288	Base and clear coats, light industrial, hobby, spot repair
1.2 mm	289221	289289	Base and clear coats, high solid, single stage
1.4 mm	289222	289290	Base and clear coats, single stage, sealers, low solid clear, general purpose

Ultra Mini Aluminum Cup
125 cc



PN 289517 (p. 25)

Mini Aluminum Cup
250 cc



PN 289321 (p. 25)

3M™ PPS™
Adapter



PN 289520 (p. 26)

FX1000, 1.0 needle,
nozzle repair, aircap kit



PN 289288



Gravity Feed Conventional

- Value – Quality guns at affordable prices
- Innovation – A class leader with 29% fewer parts, readily available repair kits, optional 3M™ PPS™ adapters, optional interchangeable cups and lowest trigger pull among guns in its class
- Performance – Unmatched spray pattern size and quality



FX2000

The FX2000 conventional air spray gun delivers an excellent automotive finish when HVLP is not required. This conventional gun has multiple nozzle options and a large spray pattern up to 12 inches. Includes 600 cc aluminum cup, wrench and cleaning brush.

- Air Inlet Size: 1/4 in npsm (R 1/4 - 19)
- Max. Air Inlet Pressure: 29 psi (0.2 MPa, 2.0 bar)
- Pattern Size: 12 in
- Air Consumption: 9.5 CFM at 43 psi (0.3 MPa, 3.0 bar)
- Cup Size: 20 oz (600 cc)
- Weight with cup: 1.1 lb (0.5 kg)
- Finish: Black Nickel
- Instruction Manual: PN 312372
- Reference p. 45



Size	Gun PN	Needle, Nozzle, Aircap Kits	Applications
Conventional FX2000			
1.0 mm	288883	289291	Base and clear coats, light industrial, hobby, spot repair
1.3 mm	288884	289292	Base and clear coats, high solid, single stage
1.4 mm	288885	289293	Base and clear coats, single stage, sealers, low solid clear
1.5 mm	288886	289294	Base and clear coats, sealers, enamels, medium to high viscosity
1.8 mm	288887	289295	Primer, high viscosity

Ultra Mini Aluminum Cup
125 cc



PN 289517 (p. 25)

Mini Aluminum Cup
250 cc



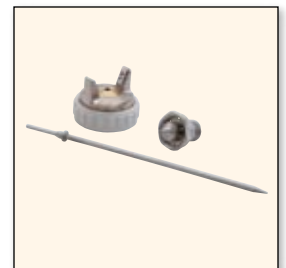
PN 289321 (p. 25)

3M™ PPS™
Adapter



PN 289520 (p. 26)

FX2000, 1.4 needle,
nozzle repair, aircap kit



PN 289293

Accessories

Cup Assemblies



Finex Ultra Mini Aluminum Gravity Cup PN 289517

- 4 oz capacity (125 cc)
- Fits all Finex 1000/2000/3000 Series Guns
- Replacement Plastic Lid: PN 289816



Finex Mini Aluminum Gravity Cup PN 289321

- 8 oz capacity (250 cc)
- Fits all Finex 1000/2000/3000 Series Guns
- Replacement Plastic Lid: PN 289817



Finex Aluminum Gravity Feed Cup PN 289320

- 20 oz capacity (600 cc)
- Fits all Finex 1000/2000/3000 Series Guns
- Replacement Plastic Lid: PN 289818



Finex Mini Plastic Gravity Feed Cup PN 289323

- 4 oz capacity (125 cc)
- Fits all Finex 1000/2000/3000 Series Guns



Finex Plastic Gravity Feed Cup PN 289322

- 20 oz capacity (600 cc)
- Fits all Finex 1000/2000/3000 Series Guns



FX100 Mini Aluminum Gravity Feed Cup PN 15E422

- 5 oz capacity (150 cc)
- Gasket Kit PN 253418 (qty 5)
- Replacement Lid: PN 15F402



FX200/FX300 Aluminum Gravity Feed Cup PN 15E449

- 20 oz capacity (600 cc)
- Gasket Kit PN 253417 (qty 5)
- Replacement Lid: PN 15F403



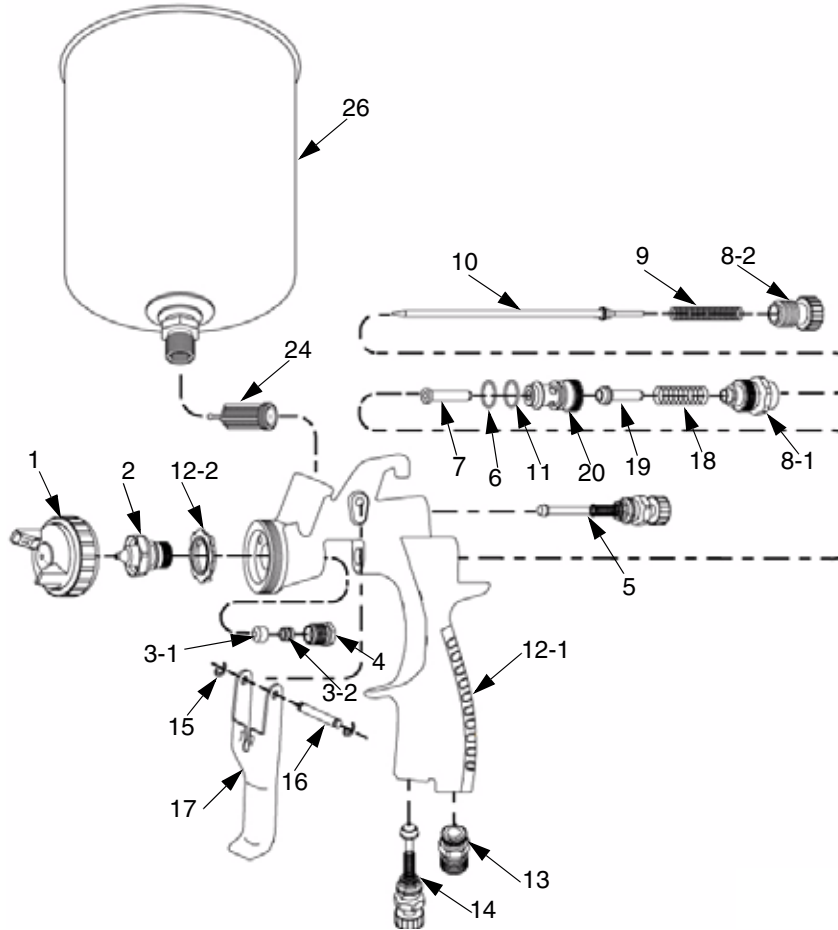
Siphon Cup Assembly PN 6610

- Use with Siphon Feed Gun
- 1 quart capacity
- Will not drip when spraying in any position
- Thread size 3/8 in npsm (f) swivel nut
- No accidental spills or damaged work areas

REFERENCE

REPLACEMENT PARTS DRAWINGS INDEX

Finex 1000/2000/3000 Series Parts / Pièces / Piezas



Ref. No.	Description	Qty.
1	CAP, air	1
2	NOZZLE fluid	1
3-1*	PACKING, fluid needle	1
3-2*	PACK NG fluid needle	1
4*	NUT, packing	1
5*	KNOB, pattern adjustment	1
6*	O-RING	1
7*	GUIDE, fluid needle	1
8-1*	GUIDE, fluid adjusting	1
8-2*	KNOB, fluid adjusting	1
9*	SPRING, fluid needle	1
10	NEEDLE, fluid	1
11*	O-RING	1
12-1	BODY, gun	1
12-2*	DISTRIBUTOR, air	1
13*	FITTING, air inlet	1
14*	VALVE, air adjustment	1
15*	RING, retaining	2
16*	PIN trigger	1
17*	TRIGGER	1
18*	SPRING, air valve	1
19*	VALVE, air	1
20*	SEAT, air valve	1
24*	FILTER, fluid (PN 24A230 - 10/pk)	1
26	CUP, gravity, aluminum	1
27	TOOL, gun (not shown)	1

Accessories

Model	Needle/ Nozzle Size	Needle, Nozzle, Aircap Kit (Parts 1, 2, and 10)	Needle Packing Kit (parts 3-1, 3-2, and 4)	Gun Body Kit (part 12-1)	Gun Rebuild Kit (includes parts marked *)	Gravity Cup (aluminum)	PPS Adapter
FX1000 Mini-HVLP	0.6	289286	288890	289314	288895	289517 (125 cc) Standard	289520
	0.8	289287					
	1.0	289288					
	1.2	289289					
	1.4	289290					
FX2000 Conventional	1.0	289291	288891	289315	288896	289320 (600 cc)	289520
	1.3	289292					
	1.4	289293					
	1.5	289294					
	1.8	289295					
FX3000 HVLP	1.0	289296	288891	289315	288896	289320 (600 cc)	289520
	1.3	289297					
	1.4	289298					
	1.5	289299					
	1.8	289300					