



Gravity Feed Conventional

- Value – Quality guns at affordable prices
- Innovation – A class leader with 29% fewer parts, readily available repair kits, optional 3M™ PPS™ adapters, optional interchangeable cups and lowest trigger pull among guns in its class
- Performance – Unmatched spray pattern size and quality



FX2000

The FX2000 conventional air spray gun delivers an excellent automotive finish when HVLP is not required. This conventional gun has multiple nozzle options and a large spray pattern up to 12 inches. Includes 600 cc aluminum cup, wrench and cleaning brush.

- Air Inlet Size: 1/4 in npsm (R 1/4 - 19)
- Max. Air Inlet Pressure: 29 psi (0.2 MPa, 2.0 bar)
- Pattern Size: 12 in
- Air Consumption: 9.5 CFM at 43 psi (0.3 MPa, 3.0 bar)
- Cup Size: 20 oz (600 cc)
- Weight with cup: 1.1 lb (0.5 kg)
- Finish: Black Nickel
- Instruction Manual: PN 312372
- Reference p. 45



Size	Gun PN	Needle, Nozzle, Aircap Kits	Applications
Conventional FX2000			
1.0 mm	288883	289291	Base and clear coats, light industrial, hobby, spot repair
1.3 mm	288884	289292	Base and clear coats, high solid, single stage
1.4 mm	288885	289293	Base and clear coats, single stage, sealers, low solid clear
1.5 mm	288886	289294	Base and clear coats, sealers, enamels, medium to high viscosity
1.8 mm	288887	289295	Primer, high viscosity

Ultra Mini Aluminum Cup
125 cc



PN 289517 (p. 25)

Mini Aluminum Cup
250 cc



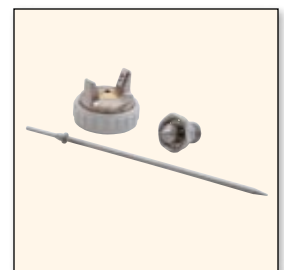
PN 289321 (p. 25)

3M™ PPS™
Adapter



PN 289520 (p. 26)

FX2000, 1.4 needle,
nozzle repair, aircap kit



PN 289293

REFERENCE

SPRAY GUN REFERENCE GUIDE

	D-5-55	FINEX FX1000	FINEX FX2000	FINEX FX3000	MGF HVLP	MPF HVLP
--	--------	--------------	--------------	--------------	----------	----------

Primers & Sealers						
Nozzle Size mm	1.4	1.4	1.4	1.5	1.4	1.1
Gun PN	7030 (1.4 mm)	289222 (1.4 mm)	288885 (1.4 mm)	288881 (1.5 mm)	7040 (1.4 mm)	7045 (1.1 mm)
Nozzle PN	29021 (1.4 mm)	289290 (1.4 mm)	289293 (1.4 mm)	289299 (1.5 mm)	29021 (1.4 mm)	34811 (1.1 mm)
Aircap PN	29006	Kit	Kit	Kit	34806	34808

Primer Surface						
Nozzle Size mm		1.4	1.8	1.5-1.8		
Gun PN		289222 (1.4 mm)	288887 (1.8 mm)	288881 (1.5 mm) 288882 (1.8 mm)		
Nozzle PN		289290 (1.4 mm)	289295 (1.8 mm)	289299 (1.5 mm) 289300 (1.8 mm)		
Aircap PN		Kit	Kit	Kit		

Single Stage Urethane and Polyurethanes						
Nozzle Size mm		1.2-1.4	1.4	1.3-1.5		1.1
Gun PN		289221 (1.2 mm) 289222 (1.4 mm)	288885 (1.4 mm)	288879 (1.3 mm) 288880 (1.4 mm) 288881 (1.5 mm)		7045 (1.1 mm)
Nozzle PN		289289 (1.2 mm) 289290 (1.4 mm)	289293 (1.4 mm)	289297 (1.3 mm) 289298 (1.5 mm) 289299 (1.8 mm)		34811 (1.1 mm)
Aircap PN		Kit	Kit	Kit		34808

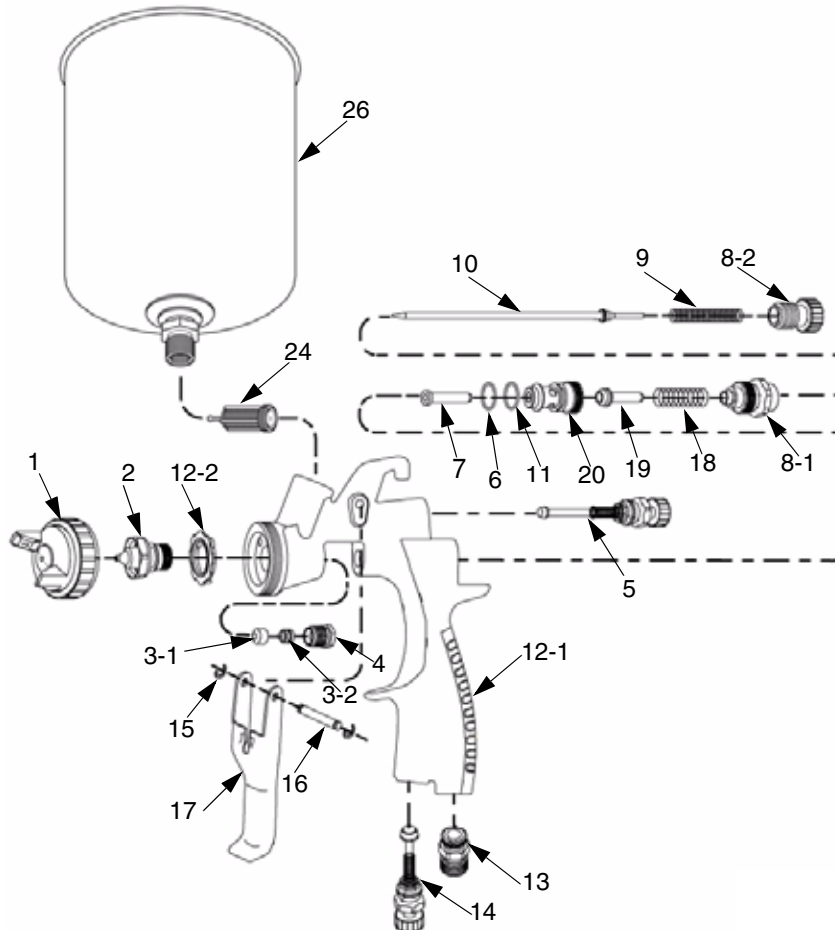
Base Coat						
Nozzle Size mm	1.4	1.2-1.4	1.4	1.3-1.5	1.4	1.1
Gun PN	7030 (1.4 mm)	289221 (1.2 mm) 289222 (1.4 mm)	288885 (1.4 mm)	288879 (1.3 mm) 288880 (1.4 mm) 288881 (1.5 mm)	7040 (1.4 mm)	7045 (1.1 mm)
Nozzle PN	29021 (1.4 mm)	289289 (1.2 mm) 289290 (1.4 mm)	289293 (1.4 mm)	289297 (1.3 mm) 289298 (1.5 mm) 289299 (1.8 mm)	29021 (1.4 mm)	34811 (1.1 mm)
Aircap PN	29006	Kit	Kit	Kit	34806	34808

Clear Coat						
Nozzle Size mm	1.4	1.2-1.4	1.4	1.3-1.5	1.4	1.1
Gun PN	7030 (1.4 mm)	289221 (1.2 mm) 289222 (1.4 mm)	288885 (1.4 mm)	288879 (1.3 mm) 288880 (1.4 mm) 288881 (1.5 mm)	7040 (1.4 mm)	7045 (1.1 mm)
Nozzle PN	29021 (1.4 mm)	289289 (1.2 mm) 289290 (1.4 mm)	289293 (1.4 mm)	289297 (1.3 mm) 289298 (1.5 mm) 289299 (1.8 mm)	29021 (1.4 mm)	34811 (1.1 mm)
Aircap PN	29006	Kit	Kit	Kit	34806	34808

REFERENCE

REPLACEMENT PARTS DRAWINGS INDEX

Finex 1000/2000/3000 Series Parts / Pièces / Piezas



Ref. No.	Description	Qty.
1	CAP, air	1
2	NOZZLE fluid	1
3-1*	PACKING, fluid needle	1
3-2*	PACK NG fluid needle	1
4*	NUT, packing	1
5*	KNOB, pattern adjustment	1
6*	O-RING	1
7*	GUIDE, fluid needle	1
8-1*	GUIDE, fluid adjusting	1
8-2*	KNOB, fluid adjusting	1
9*	SPRING, fluid needle	1
10	NEEDLE, fluid	1
11*	O-RING	1
12-1	BODY, gun	1
12-2*	DISTRIBUTOR, air	1
13*	FITTING, air inlet	1
14*	VALVE, air adjustment	1
15*	RING, retaining	2
16*	PIN trigger	1
17*	TRIGGER	1
18*	SPRING, air valve	1
19*	VALVE, air	1
20*	SEAT, air valve	1
24*	FILTER, fluid (PN 24A230 - 10/pk)	1
26	CUP, gravity, aluminum	1
27	TOOL, gun (not shown)	1

Accessories

Model	Needle/ Nozzle Size	Needle, Nozzle, Aircap Kit (Parts 1, 2, and 10)	Needle Packing Kit (parts 3-1, 3-2, and 4)	Gun Body Kit (part 12-1)	Gun Rebuild Kit (includes parts marked *)	Gravity Cup (aluminum)	PPS Adapter
FX1000 Mini-HVLP	0.6	289286	288890	289314	288895	289517 (125 cc) Standard	289520
	0.8	289287					
	1.0	289288					
	1.2	289289					
	1.4	289290					
FX2000 Conventional	1.0	289291	288891	289315	288896	289320 (600 cc)	289520
	1.3	289292					
	1.4	289293					
	1.5	289294					
	1.8	289295					
FX3000 HVLP	1.0	289296	288891	289315	288896	289320 (600 cc)	289520
	1.3	289297					
	1.4	289298					
	1.5	289299					
	1.8	289300					