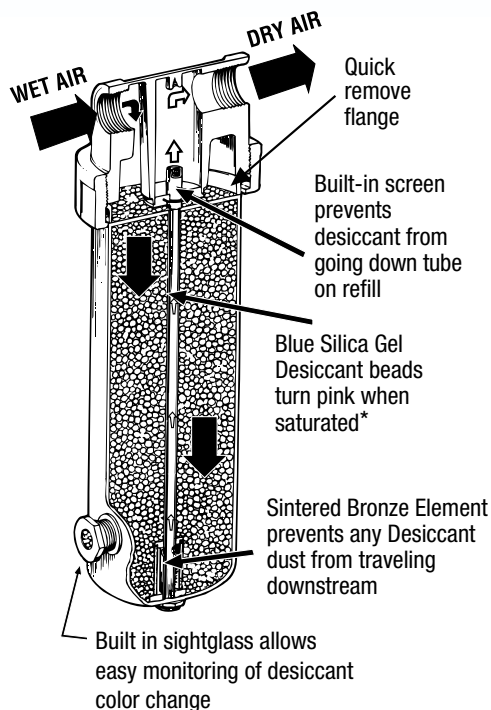


Dryaire Desiccant System

Model 6760



Remove dirt, water, oil and uncondensed moisture from compressed air lines. The Dryaire Desiccant System's 100% indicating silica gel provides maximum moisture absorption. It features easy desiccant change out, regenerate, or replacement (6765-1). This system maintains -40°F dew point while achieving 0% compressed air humidity.

- Stage 1 Air filter includes auto drain (overnight) and 5-micron filter
- Stage 2 Coalescer with auto drain (overnight) removes oil particles down to .01 micron
- Stage 3 Desiccant Housing, 30 cfm capacity
- Self-relieving air regulator, mounting bracket, and shut-off valve included

* Premium beads are orange and turn clear when saturated.

PN	Description
6760	Desiccant systems includes desiccants
22645	Stage 1 Replacement Filter Element
22655	Stage 2 Replacement Coalescer Element
6765-1	Stage 3, Replacement desiccant beads, 100% Silica Gel Desiccant (Single 5 lb can)
6765-4	Stage 3, 5 lb. Replacement desiccant beads, 100% Silica Gel Desiccant (Four 5 lb cans)
289533	Stage 3, Replacement desiccant beads, premium cobalt-chloride free silica gel (Single 5 lb can)
289534	Stage 3, Replacement desiccant beads, premium cobalt-chloride free silica gel (Four 5 lb cans)

NOTE: For the overnight drain to operate, turn off the air pressure

- Shut off ball valve when not in use
- Recommended installation outside spray booth

- Instruction Manual: PN 310595
- Reference p. 54

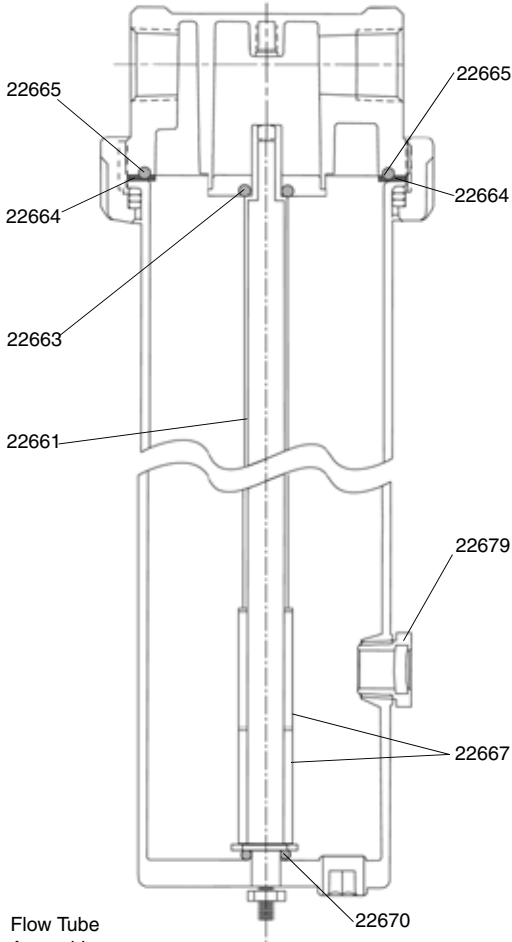
	Stage 1	Stage 2	Stage 3
Air Inlet, FPT	1/2 in	1/2 in	3/4 in (reduced to 1/2 in)
Air Outlet, FPT	1/2 in	1/2 in	3/4 in (reduced to 3/8 in)
Air Flow Capacity	108 CFM (3 m ³ /min)	35 CFM (1 m ³ /min)	30 CFM (0.85 m ³ /min)
Max. Operating Pressure	175 psi (1.2 MPa, 12 bar)	175 psi (1.2 MPa, 12 bar)	175 psi (1.2 MPa, 12 bar)
Max. Temperature	150°F (65°C)	150°F (65°C)	150°F (65°C)

REFERENCE

REPLACEMENT PARTS DRAWINGS INDEX

Model 6760 Dryaire Desiccant System

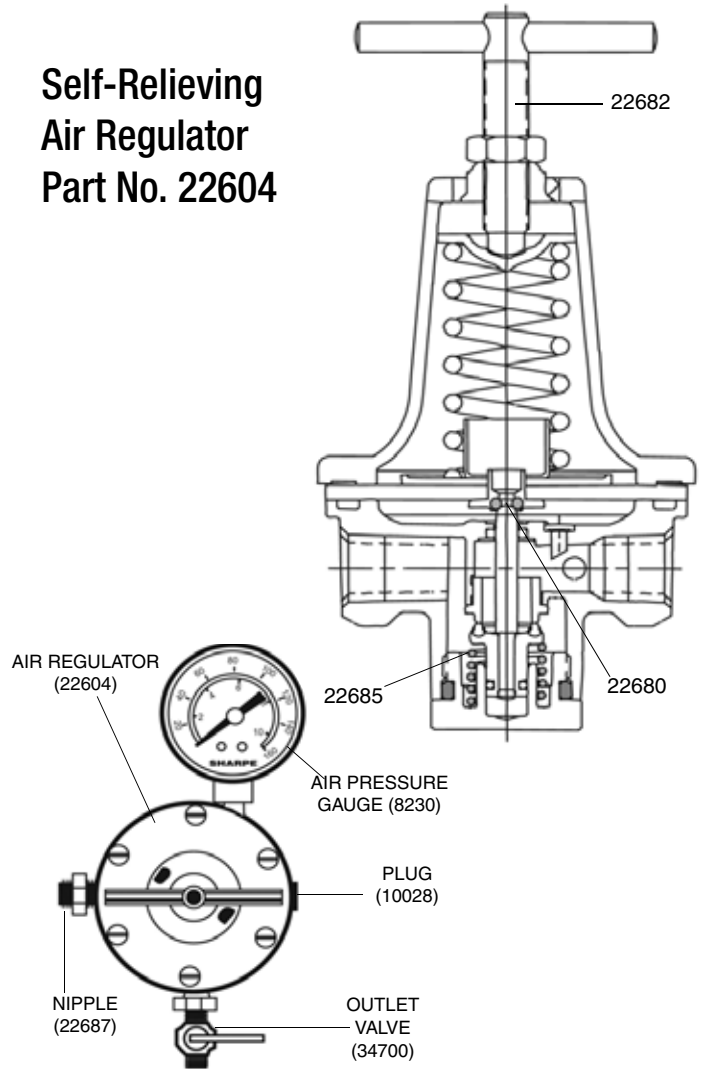
Desiccant Housing Stage 3 - Part No. 22603



Flow Tube Assembly
(Includes: flow tube, nut, O-ring, filter elements and retainers)

Part No.	Description	Color
6765-1	5 lb Desiccant	Blue when fresh Pink when saturated
22661	Flow Tube Assy	
22663	O-Ring	
22664	Gasket	
22665	O-Ring	
22667	Filter Element (2)	
22670	O-Ring	
22679	Sight Glass	

Self-Relieving Air Regulator Part No. 22604



Specifications

Air Inlet 3/8 in F.P.T.
 Air Outlet 1/4 in F.P.T. (3 EA.)
 Air Flow Capacity 100 cfm (2.8 m³/min)
 Max. Operating Pressure 160 psi (1.1 MPa, 11 bar)
 Max. Temperature 150°F (65°C)

Part No.	Description
8320	Air Pressure Gauge
10028	Plug
22680	Diaphragm/Valve Repair Kit
22682	T-Handle Adjusting Screw
22685	Bottom Spring
22687	3/8 in x 3/8 in Nipple
34700	Outlet Valve