

# Regulators

## Pressure Regulation

### 16C-MR Mini Spray Gun Regulator



This small, lightweight unit attaches to any spray gun, including HVLV, for accurate air pressure regulation. It is a true diaphragm regulator with push-pull lock pressure setting and easy-to-read 0-160 psi gauge.

PN	Description
1410	Mini Regulator

- Air Inlet: 1/4 in npsm (f)
- Air Outlets (swivel nut): 1/4 in npsm (f)
- Air Flow Capacity: 22 cfm
- Instruction Manual: PN 310605

### 18B-2R and 18C-3R Air Regulators



50 CFM air regulator.

PN	ID	Description
1610	18B-2R	Two regulated outlets, one main line outlet (bypass)
1630	18C-3R	Three regulated outlets, one main line outlet (bypass)

- Air Inlet: 3/8 in npsm (f)
- Air Outlets (3): 1/4 in npsm (f)
- Air Flow Capacity: 50 cfm
- Instruction Manual: PN 310605
- Reference p. 58 & 59

### 18B-500 and 18C-500 Air Regulator Assembly



50 CFM air regulator with an air gauge and air cock.

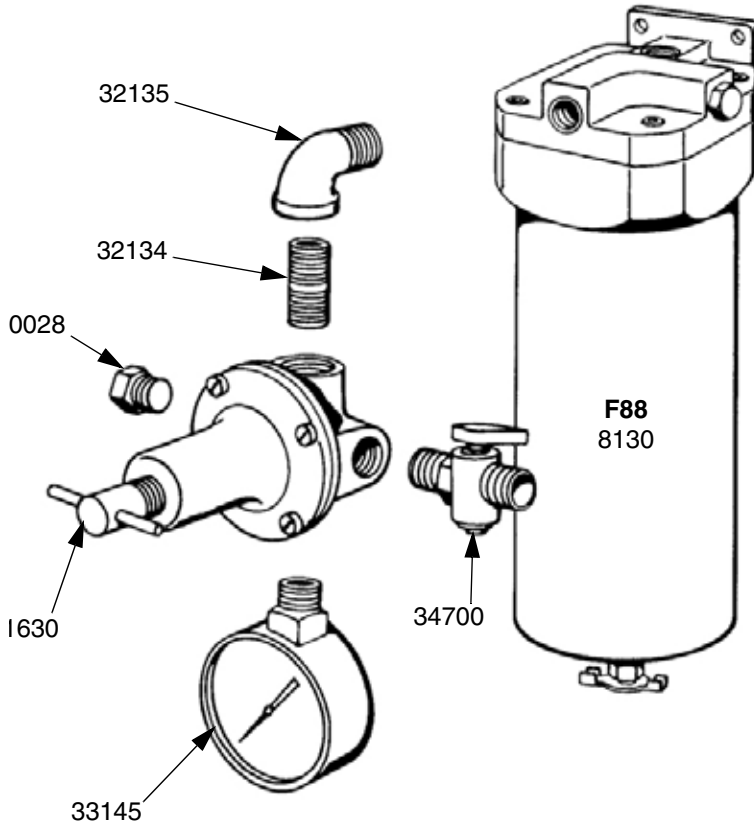
PN	ID	Description
1620	18B-500	Two regulated outlets, one main line outlet (bypass)
1640	18C-500	Three regulated outlets, one main line outlet (bypass)

- Air Inlet: 3/8 in npsm (f)
- Air Outlets (2): 1/4 in npsm (f)
- Air Flow Capacity: 50 cfm
- Instruction Manual: PN 310605
- Reference p. 58

# REFERENCE

## REPLACEMENT PARTS DRAWINGS INDEX

### 880A Air Control Unit Part No. 6950

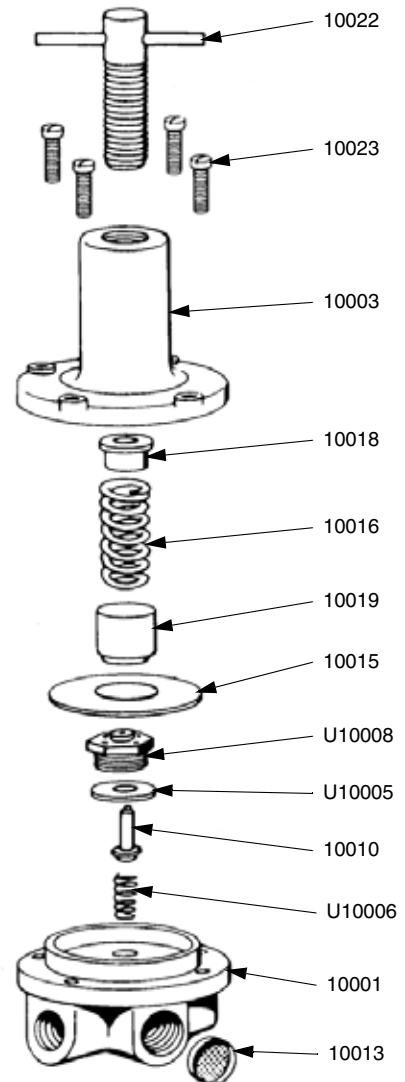


Part No.	Description
1630	Air Regulator
8130	Air Filter
1002	8 Plug
32134	Nipple
32135	Elbow
33145	Gauge
34700	Air Cock

Maximum Working  
Pressure: 160 psi  
(1.1 MPa, 11 bar)

### Air Regulator Part No. 1610

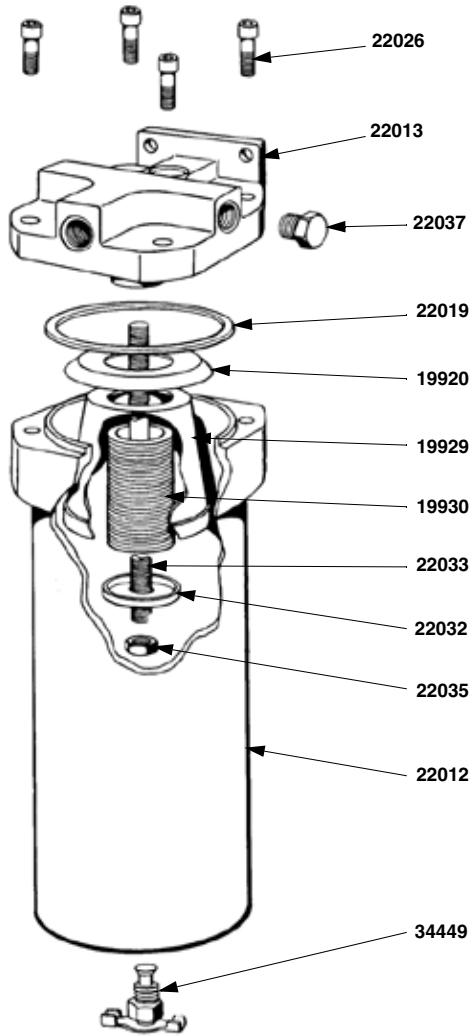
2 Regulated Outlets  
1 Main Line Outlet (bypass)



# REFERENCE

## REPLACEMENT PARTS DRAWINGS INDEX

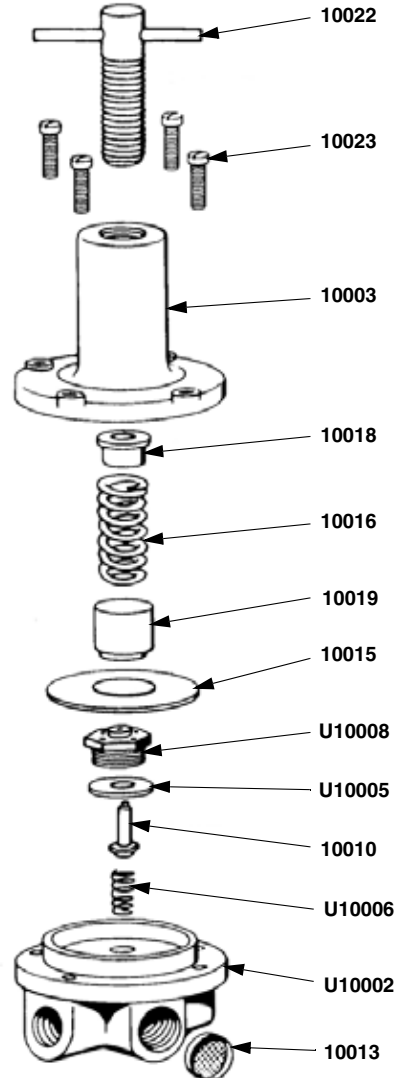
### Model 606 Air Filter Part No. U06710



Part No.	Description
22026	Screw
22013	Bottle Lid
22037	Plug
22019	Gasket
19920	Washer
19929	Shield
19930	Filter Element
22033	Rod Assembly
22032	Retainer
22035	Nut
22012	Mach Filter Bottle
34449	Air Cock Regulator Valve

Maximum Working  
Pressure: 160 psi  
(1.1 MPa, 11 bar)

### 18C-3R Air Regulator Part No. 1630



Part No.	Description
10022	Adjusting Screw
10023	Screw
10003	Bonnet
10018	Washer Spring
10016	Pressure Spring
10019	Vibration Dampener
10015	Diaphragm
10008	Valve Body
10005	Valve Seat
10010	Valve
10006	Valve Spring
10002	Body
10013	Brass Screen

Maximum Working  
Pressure: 160 psi  
(1.1 MPa, 11 bar)

# REFERENCE

## REPLACEMENT PARTS DRAWINGS INDEX

### Air Control Units

