

Accessories

Cup Assemblies



Finex Ultra Mini Aluminum Gravity Cup

PN 289517

- 4 oz capacity (125 cc)
- Fits all Finex 1000/2000/3000 Series Guns
- Replacement Plastic Lid: PN 289816



Finex Mini Aluminum Gravity Cup

PN 289321

- 8 oz capacity (250 cc)
- Fits all Finex 1000/2000/3000 Series Guns
- Replacement Plastic Lid: PN 289817



Finex Aluminum Gravity Feed Cup

PN 289320

- 20 oz capacity (600 cc)
- Fits all Finex 1000/2000/3000 Series Guns
- Replacement Plastic Lid: PN 289818



Finex Mini Plastic Gravity Feed Cup

PN 289323

- 4 oz capacity (125 cc)
- Fits all Finex 1000/2000/3000 Series Guns



Finex Plastic Gravity Feed Cup

PN 289322

- 20 oz capacity (600 cc)
- Fits all Finex 1000/2000/3000 Series Guns



FX100 Mini Aluminum Gravity Feed Cup

PN 15E422

- 5 oz capacity (150 cc)
- Gasket Kit PN 253418 (qty 5)
- Replacement Lid: PN 15F402



FX200/FX300 Aluminum Gravity Feed Cup

PN 15E449

- 20 oz capacity (600 cc)
- Gasket Kit PN 253417 (qty 5)
- Replacement Lid: PN 15F403



Siphon Cup Assembly

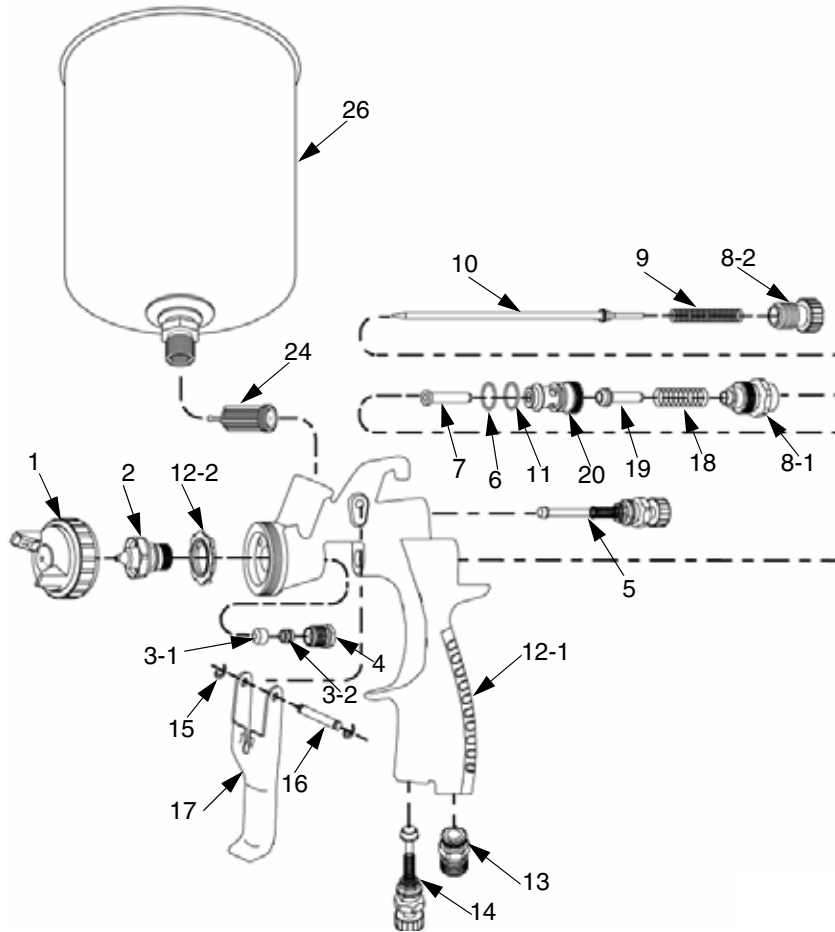
PN 6610

- Use with Siphon Feed Gun
- 1 quart capacity
- Will not drip when spraying in any position
- Thread size 3/8 in npsm (f) swivel nut
- No accidental spills or damaged work areas

REFERENCE

REPLACEMENT PARTS DRAWINGS INDEX

Finex 1000/2000/3000 Series Parts / Pièces / Piezas



Ref. No.	Description	Qty.
1	CAP, air	1
2	NOZZLE fluid	1
3-1*	PACKING, fluid needle	1
3-2*	PACK NG fluid needle	1
4*	NUT, packing	1
5*	KNOB, pattern adjustment	1
6*	O-RING	1
7*	GUIDE, fluid needle	1
8-1*	GUIDE, fluid adjusting	1
8-2*	KNOB, fluid adjusting	1
9*	SPRING, fluid needle	1
10	NEEDLE, fluid	1
11*	O-RING	1
12-1	BODY, gun	1
12-2*	DISTRIBUTOR, air	1
13*	FITTING, air inlet	1
14*	VALVE, air adjustment	1
15*	RING, retaining	2
16*	PIN trigger	1
17*	TRIGGER	1
18*	SPRING, air valve	1
19*	VALVE, air	1
20*	SEAT, air valve	1
24*	FILTER, fluid (PN 24A230 - 10/pk)	1
26	CUP, gravity, aluminum	1
27	TOOL, gun (not shown)	1

Accessories

Model	Needle/ Nozzle Size	Needle, Nozzle, Aircap Kit (Parts 1, 2, and 10)	Needle Packing Kit (parts 3-1, 3-2, and 4)	Gun Body Kit (part 12-1)	Gun Rebuild Kit (includes parts marked *)	Gravity Cup (aluminum)	PPS Adapter
FX1000 Mini-HVLP	0.6	289286	288890	289314	288895	289517 (125 cc) Standard	289520
	0.8	289287					
	1.0	289288					
	1.2	289289					
	1.4	289290					
FX2000 Conventional	1.0	289291	288891	289315	288896	289320 (600 cc)	289520
	1.3	289292					
	1.4	289293					
	1.5	289294					
	1.8	289295					
FX3000 HVLP	1.0	289296	288891	289315	288896	289320 (600 cc)	289520
	1.3	289297					
	1.4	289298					
	1.5	289299					
	1.8	289300					