

Accessories

Cup Assemblies



Model D-500 Cup Assembly

PN U07510

- Use with D-5-55 Detail Spray Gun
- 6 oz capacity (190 cc)
- Thread size 1/4-18 npsm (m) female swivel
- Made of high density polyethylene construction



Model D-500-72 Extra Translucent Cup with Cover

PN U07530

- Use with D-5-55 Detail Spray Gun
- 6 oz capacity (190 cc)
- Translucent cup
- Includes lid for paint storage

PPS Adapters



3M™ PPS™ Adapters

PN 253975

- PPS Adapter for most RAZOR guns

PN 253969

- PPS Adapter for RAZOR Primer & Legacy guns

PN 289520

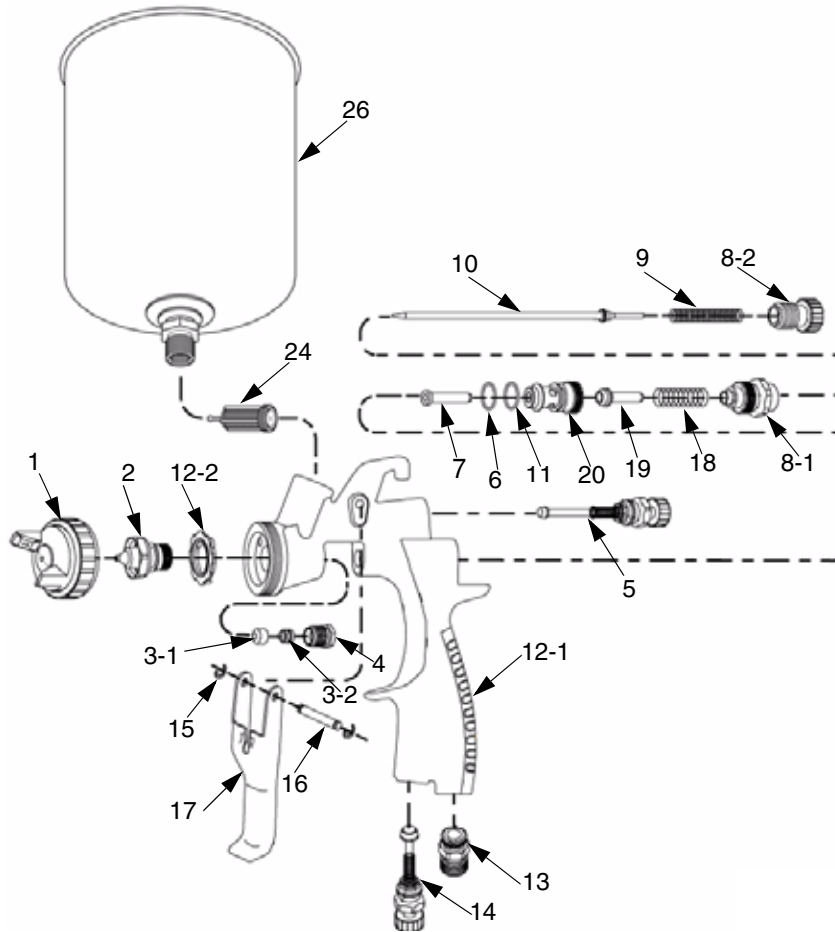
- PPS Adapter for Finex guns FX1000/2000/3000 Series



REFERENCE

REPLACEMENT PARTS DRAWINGS INDEX

Finex 1000/2000/3000 Series Parts / Pièces / Piezas



Ref. No.	Description	Qty.
1	CAP, air	1
2	NOZZLE fluid	1
3-1*	PACKING, fluid needle	1
3-2*	PACK NG fluid needle	1
4*	NUT, packing	1
5*	KNOB, pattern adjustment	1
6*	O-RING	1
7*	GUIDE, fluid needle	1
8-1*	GUIDE, fluid adjusting	1
8-2*	KNOB, fluid adjusting	1
9*	SPRING, fluid needle	1
10	NEEDLE, fluid	1
11*	O-RING	1
12-1	BODY, gun	1
12-2*	DISTRIBUTOR, air	1
13*	FITTING, air inlet	1
14*	VALVE, air adjustment	1
15*	RING, retaining	2
16*	PIN trigger	1
17*	TRIGGER	1
18*	SPRING, air valve	1
19*	VALVE, air	1
20*	SEAT, air valve	1
24*	FILTER, fluid (PN 24A230 - 10/pk)	1
26	CUP, gravity, aluminum	1
27	TOOL, gun (not shown)	1

Accessories

Model	Needle/ Nozzle Size	Needle, Nozzle, Aircap Kit (Parts 1, 2, and 10)	Needle Packing Kit (parts 3-1, 3-2, and 4)	Gun Body Kit (part 12-1)	Gun Rebuild Kit (includes parts marked *)	Gravity Cup (aluminum)	PPS Adapter
FX1000 Mini-HVLP	0.6	289286	288890	289314	288895	289517 (125 cc) Standard	289520
	0.8	289287					
	1.0	289288					
	1.2	289289					
	1.4	289290					
FX2000 Conventional	1.0	289291	288891	289315	288896	289320 (600 cc)	289520
	1.3	289292					
	1.4	289293					
	1.5	289294					
	1.8	289295					
FX3000 HVLP	1.0	289296	288891	289315	288896	289320 (600 cc)	289520
	1.3	289297					
	1.4	289298					
	1.5	289299					
	1.8	289300					