

Accessories

Hose Accessories



Hose Assemblies with Reusable Connectors

PN	Description	ID	Connectors - npsm (f)
7110	6 ft Air hose	5/16 in	1/4 in
7120	6 ft Fluid hose	1/4 in	3/8 in
7130	6 ft Hose kit for 2-qt Pressure Cup (includes one each 7110 & 7120 hoses)		
7210	25 ft Air hose (gun or pressure pot)	3/8 in	1/4 in
7220	25 ft Fluid hose (pressure pot)	3/8 in	3/8 in
7230	35 in Air hose with high-volume quick couplers and connectors	3/8 in	1/4 in



8310

High Volume Hose Connectors



8320



8330



8340

PN	Description
8310	High volume 1/4 in female quick coupler
8320	High volume 1/4 in male quick coupler
8330	Quick connect 1/4 in female
8340	Quick connect 1/4 in male

If you haven't tried Sharpe Spray Guns or other Sharpe products today, we hope you will. Please take some time and review our entire product line and then, if you have any questions, just pick up the phone and call **1-800-SHARPE1** or send us a note via **Ask Doctor Gun.**

Air Quality Test Kit



6760HT

Air Quality Test Kit

Test compressed air supply to identify causes of refinish problems. Not for use in hazardous locations. Test for:

- Inadequate compressed air supply
- Compressed air humidity (CAH) level
- Compressed air contaminants

How to Use Ask Dr. Gun

The Ask Doctor Gun knowledge database gives you the ability to search for answers to some commonly asked questions. If you don't find what you're looking for, simply "Ask a Question" and your request will be answered the following business day or sooner. The optional "My Stuff" area tracks your questions, and allows you to search for previously asked questions in the database, as well as request notifications on specific answers when they are updated.

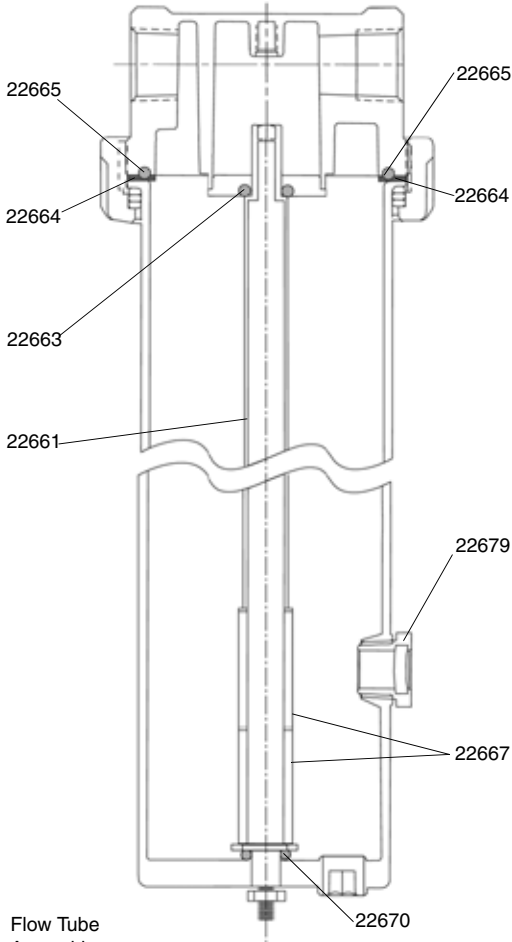
- * Find Answers: All resolved problems are in the solution database.
- * Search by product, category, keywords, or phrases.
- * Ask a Question: Submit a question to our technical support staff who will reply to you by email.
- * My Stuff: Login to check the status of your questions, modify your answer, update notifications and update your personal profile.

REFERENCE

REPLACEMENT PARTS DRAWINGS INDEX

Model 6760 Dryaire Desiccant System

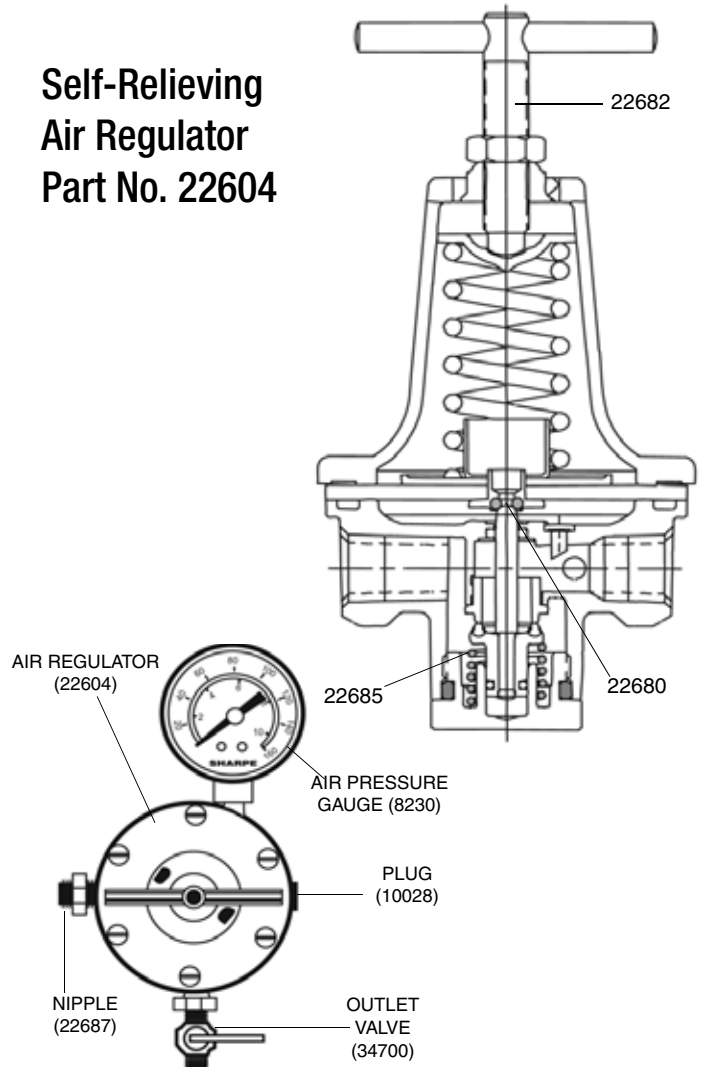
Desiccant Housing Stage 3 - Part No. 22603



Flow Tube Assembly
(Includes: flow tube, nut, O-ring, filter elements and retainers)

Part No.	Description	Color
6765-1	5 lb Desiccant	Blue when fresh Pink when saturated
22661	Flow Tube Assy	
22663	O-Ring	
22664	Gasket	
22665	O-Ring	
22667	Filter Element (2)	
22670	O-Ring	
22679	Sight Glass	

Self-Relieving Air Regulator Part No. 22604



Specifications

Air Inlet 3/8 in F.P.T.
 Air Outlet 1/4 in F.P.T. (3 EA.)
 Air Flow Capacity 100 cfm (2.8 m³/min)
 Max. Operating Pressure 160 psi (1.1 MPa, 11 bar)
 Max. Temperature 150°F (65°C)

Part No.	Description
8320	Air Pressure Gauge
10028	Plug
22680	Diaphragm/Valve Repair Kit
22682	T-Handle Adjusting Screw
22685	Bottom Spring
22687	3/8 in x 3/8 in Nipple
34700	Outlet Valve