



1/4" Drive Impact Socket Set



1/4"

6s

No. 9772

1/4" Drive Master Set



This set contains the most popular sockets in our 1/4" surface drive line, plus 3 extensions, universal joint, 1/4" to 3/8" adapter and 1/4" Hex to 1/4" Square Adapter. Packaged in an all new compact, low profile molded storage case. This set is great for use on impact wrenches, air ratchets as well as hand ratchets.



72 piece set contents:

10 Pieces Standard Length:

3/16", 7/32", 1/4", 9/32", 5/16", 11/32", 3/8", 7/16", 1/2", 9/16"

10 Pieces Deep Length:

3/16", 7/32", 1/4", 9/32", 5/16", 11/32", 3/8", 7/16", 1/2", 9/16"

14 Pieces Metric Standard Length:

4mm, 4.5mm, 5mm, 5.5mm, 6mm, 7mm, 8mm, 9mm, 10mm, 11mm, 12mm, 13mm, 14mm, 15mm

14 Pieces Metric Deep Length:

4mm, 4.5mm, 5mm, 5.5mm, 6mm, 7mm, 8mm, 9mm, 10mm, 11mm, 12mm, 13mm, 14mm, 15mm

6 Pieces Standard Universal:

1/4", 5/16", 3/8", 7/16", 1/2", 9/16"

12 Pieces Metric Standard Universal:

5mm, 5.5mm, 6mm, 7mm, 8mm, 9mm, 10mm, 11mm, 12mm, 13mm, 14mm, 15mm

1 Piece Each:

2", 4", & 6" Extensions
1/4" Universal Joint
1/4" F. x 3/8" M. Adapter
1/4" Hex x 1/4" Square Adapter

Molded Storage Case





3/8" Drive Standard Length Impact Sockets



6 3/8" Drive - Standard Length - Fractional Sizes SAE

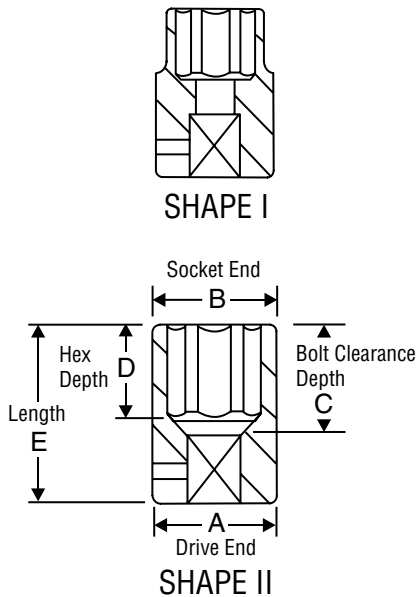
3/8"



Item Number	Hex Size	Shape	Dimensions (Inches)				
			A	B	C	D	E
1010R	5/16"	I	.75	.49	.69	.31	1.18
1012R	3/8"	I	.75	.57	.69	.31	1.18
1014R	7/16"	I	.75	.67	.69	.35	1.18
1016R	1/2"	II	.75	.75	.69	.35	1.18
1018R	9/16"	II	.79	.79	.69	.43	1.18
1020R	5/8"	II	.93	.93	.69	.47	1.18
1022R	11/16"	II	.94	.94	.69	.47	1.18
1024R	3/4"	II	1.02	1.02	.69	.51	1.18
1026R	13/16"	II	1.10	1.10	.69	.51	1.18
1028R	7/8"	II	1.18	1.18	.69	.51	1.18
1030R	15/16"	II	1.26	1.26	.69	.51	1.18
1032R	1"	II	1.34	1.34	.69	.51	1.18

ANSI Specifications B107.2

6 Standard Length - Metric Sizes MM



Item Number	Hex Size	Shape	Dimensions (Millimeters)				
			A	B	C	D	E
1007M	7mm	I	19	11.5	17.5	8	30
1008M	8mm	I	19	12.5	17.5	8	30
1009M	9mm	I	19	14.0	17.5	8	30
1010M	10mm	I	19	15.0	17.5	8	30
1011M	11mm	I	19	17.0	17.5	9	30
1012M	12mm	II	19	19.0	17.5	9	30
1013M	13mm	II	19	19.0	17.5	10	30
1014M	14mm	II	20	20.0	17.5	11	30
1015M	15mm	II	22	22.0	17.5	11	30
1016M	16mm	II	24	24.0	17.5	12	30
1017M	17mm	II	24	24.0	17.5	12	30
1018M	18mm	II	25	25.0	17.5	12	30
1019M	19mm	II	26	26.0	17.5	13	30
1020M	20mm	II	28	28.0	17.5	13	30
1021M	21mm	II	28	28.0	17.5	13	30
1022M	22mm	II	30	30.0	17.5	13	30