



1/4" Drive Impact Socket Set



1/4"

6s

No. 9772

1/4" Drive Master Set



This set contains the most popular sockets in our 1/4" surface drive line, plus 3 extensions, universal joint, 1/4" to 3/8" adapter and 1/4" Hex to 1/4" Square Adapter. Packaged in an all new compact, low profile molded storage case. This set is great for use on impact wrenches, air ratchets as well as hand ratchets.



72 piece set contents:

10 Pieces Standard Length:

3/16", 7/32", 1/4", 9/32", 5/16", 11/32", 3/8", 7/16", 1/2", 9/16"

10 Pieces Deep Length:

3/16", 7/32", 1/4", 9/32", 5/16", 11/32", 3/8", 7/16", 1/2", 9/16"

14 Pieces Metric Standard Length:

4mm, 4.5mm, 5mm, 5.5mm, 6mm, 7mm, 8mm, 9mm, 10mm, 11mm, 12mm, 13mm, 14mm, 15mm

14 Pieces Metric Deep Length:

4mm, 4.5mm, 5mm, 5.5mm, 6mm, 7mm, 8mm, 9mm, 10mm, 11mm, 12mm, 13mm, 14mm, 15mm

6 Pieces Standard Universal:

1/4", 5/16", 3/8", 7/16", 1/2", 9/16"

12 Pieces Metric Standard Universal:

5mm, 5.5mm, 6mm, 7mm, 8mm, 9mm, 10mm, 11mm, 12mm, 13mm, 14mm, 15mm

1 Piece Each:

2", 4", & 6" Extensions
1/4" Universal Joint
1/4" F. x 3/8" M. Adapter
1/4" Hex x 1/4" Square Adapter

Molded Storage Case





3/4" Drive Universal Impact Sockets



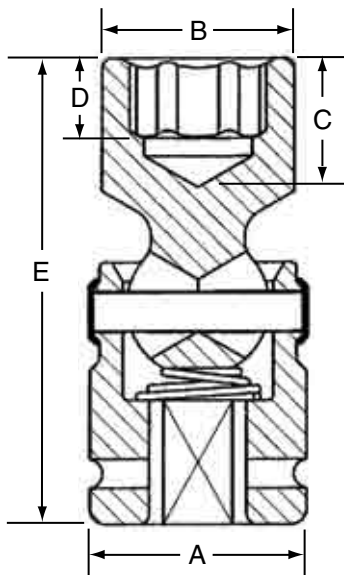
6 3/4" Drive - Universal - Fractional Sizes SAE



Item Number	Hex Size	Retaining Devices			Dimensions (Inches)				
		P	O	R1	A	B	C	D	E
3024U	3/4"	3221	3212	3111	1.73	1.26	0.79	0.51	3.74
3026U	13/16"	3221	3212	3111	1.73	1.38	0.79	0.55	3.74
3028U	7/8"	3221	3212	3111	1.73	1.46	0.79	0.55	3.74
3030U	15/16"	3221	3212	3111	1.73	1.54	0.79	0.59	3.74
3032U	1"	3221	3212	3111	1.73	1.61	0.91	0.63	3.94
3034U	1-1/16"	3221	3212	3111	1.73	1.69	0.91	0.67	3.94
3036U	1-1/8"	3221	3212	3111	1.73	1.73	0.91	0.71	3.94
3038U	1-3/16"	3221	3212	3111	1.73	1.85	0.91	0.71	3.94
3040U	1-1/4"	3221	3212	3111	1.73	1.93	1.06	0.79	4.13
3042U	1-5/16"	3221	3212	3111	1.73	2.01	1.06	0.83	4.13
3044U	1-3/8"	3221	3212	3111	1.73	2.09	1.06	0.87	4.13
3046U	1-7/16"	3221	3212	3111	1.73	2.13	1.14	0.91	4.33
3048U	1-1/2"	3221	3212	3111	1.73	2.24	1.14	0.94	4.33
3050U	1-9/16"	3221	3212	3111	1.73	2.36	1.14	0.94	4.33
3052U	1-5/8"	3221	3212	3111	1.73	2.36	1.38	1.06	4.53
3054U	1-11/16"	3221	3212	3111	1.73	2.50	1.38	1.06	4.53
3056U	1-3/4"	3221	3212	3111	1.73	2.54	1.38	1.18	4.53
3058U	1-13/16"	3221	3212	3111	1.73	2.62	1.38	1.18	4.53
3060U	1-7/8"	3221	3212	3111	1.73	2.68	1.38	1.18	4.53

3/4"

6 Universal - Metric Sizes MM



Item Number	Hex Size	Retaining Devices			Dimensions (Millimeters)				
		P	O	R1	A	B	C	D	E
3019UM	19mm	3221	3212	3111	44	32.0	20	13	95
3020UM	20mm	3221	3212	3111	44	34.0	20	14	95
3021UM	21mm	3221	3212	3111	44	35.0	20	14	95
3022UM	22mm	3221	3212	3111	44	37.0	20	14	95
3023UM	23mm	3221	3212	3111	44	38.0	20	14	95
3024UM	24mm	3221	3212	3111	44	39.0	20	15	95
3025UM	25mm	3221	3212	3111	44	41.0	23	16	100
3026UM	26mm	3221	3212	3111	44	42.0	23	16	100
3027UM	27mm	3221	3212	3111	44	43.0	23	17	100
3028UM	28mm	3221	3212	3111	44	44.0	23	18	100
3029UM	29mm	3221	3212	3111	44	46.0	23	18	100
3030UM	30mm	3221	3212	3111	44	47.0	23	18	100
3031UM	31mm	3221	3212	3111	44	48.0	27	19	105
3032UM	32mm	3221	3212	3111	44	49.0	27	20	105
3033UM	33mm	3221	3212	3111	44	51.0	27	21	105
3034UM	34mm	3221	3212	3111	44	52.0	27	22	105
3035UM	35mm	3221	3212	3111	44	53.0	27	22	105
3036UM	36mm	3221	3212	3111	44	54.0	29	23	110
3037UM	37mm	3221	3212	3111	44	56.0	29	24	110
3038UM	38mm	3221	3212	3111	44	57.0	29	24	110
3039UM	39mm	3221	3212	3111	44	59.0	29	24	110
3040UM	40mm	3221	3212	3111	44	60.0	29	24	110
3041UM	41mm	3221	3212	3111	44	60.0	35	27	115
3042UM	42mm	3221	3212	3111	44	62.0	35	27	115
3043UM	43mm	3221	3212	3111	44	63.5	35	27	115
3044UM	44mm	3221	3212	3111	44	64.5	35	30	115
3045UM	45mm	3221	3212	3111	44	66.0	35	30	115
3046UM	46mm	3221	3212	3111	44	66.5	35	30	115